



**Distributor of Molex Connector Corporation: Excellent Integrated System Limited**  
Datasheet of 0387207414 - Connector Barrier Block Strip 14 Circuit 0.375" (9.53mm)

Contact us: [sales@integrated-circuit.com](mailto:sales@integrated-circuit.com) Website: [www.integrated-circuit.com](http://www.integrated-circuit.com)

---

## **Excellent Integrated System Limited**

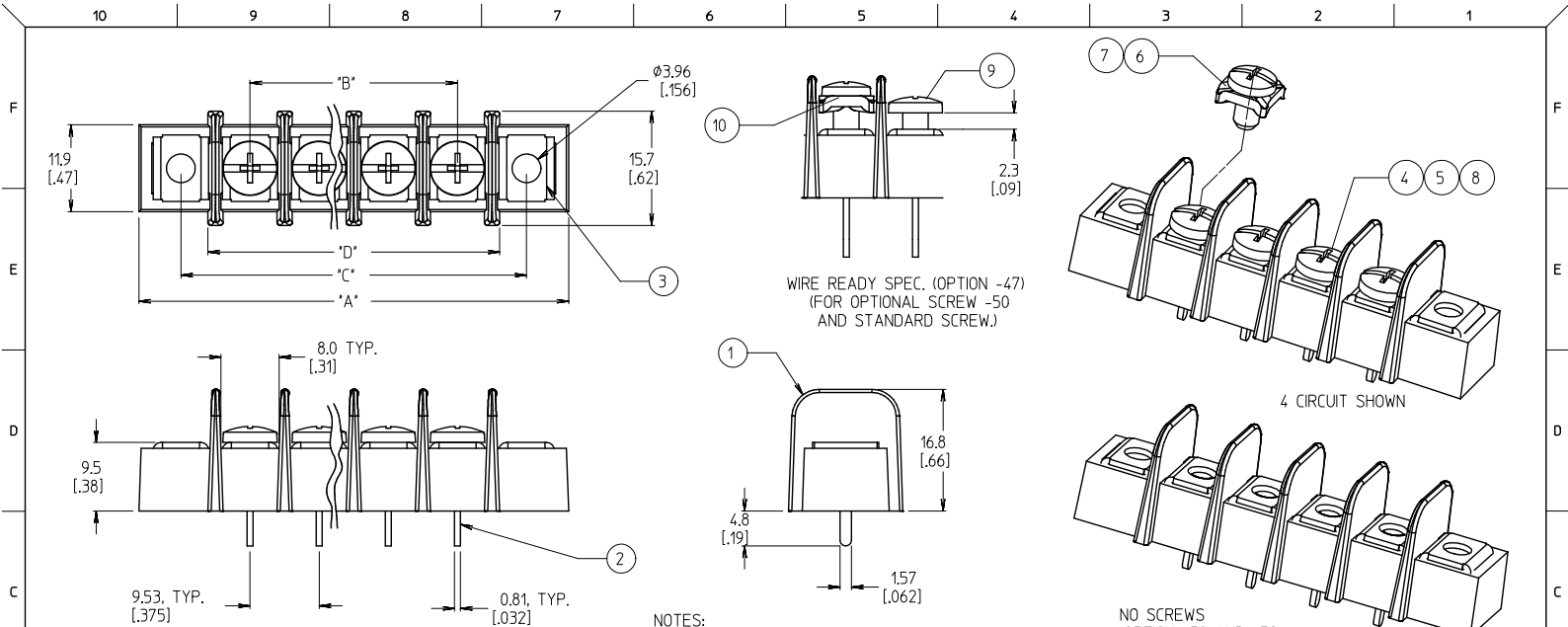
Stocking Distributor

Click to view price, real time Inventory, Delivery & Lifecycle Information:

[Molex Connector Corporation](#)  
[0387207414](#)

For any questions, you can email us directly:

[sales@integrated-circuit.com](mailto:sales@integrated-circuit.com)



NOTES:

1. MATERIAL: SEE TABLE
2. FINISHES: SEE TABLE
3. INCH DIMENSIONS ARE IN BRACKETS [XXX].
4. REFER TO SD-38120-001 FOR IMPRINTING OPTIONS 10A AND 11A.
5. REFER TO SD-38120-007 FOR IMPRINTING OPTION 12A.
6. 'XX' REFERS TO THE QUANTITY OF CIRCUITS.
7. ALL COMPONENTS ARE ROHS COMPLIANT.

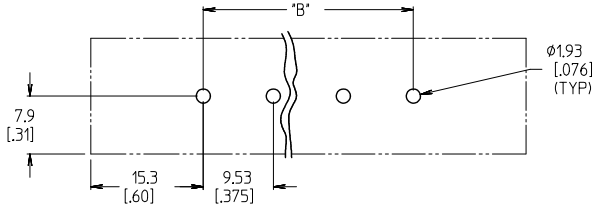
10	XX	#6-32 WRDY W/WASH SCR (-47,-50)	STEEL	ZN, CLEAR CHROMATE
9	XX	#6-32 PH/SLOT WRDY SCR (OPT -47)	STEEL	ZN, CLEAR CHROMATE
8	XX	#6-32 BHD, PH-SL SCREW (OPT -56)	STAINLESS STEEL	PASSIVATE
7	XX	#6-32 PH/SL W/WASH SCR (-49,-50)	BRASS	NICKEL
6	XX	#6-32 PH/SL W/WASH SCR (OPT -50)	STEEL	ZN, CLEAR CHROMATE
5	XX	#6-32 PH/SLOTTED SCREW (OPT -49)	BRASS	NICKEL
4	XX	#6-32 PH/SLOTTED SCREW (STD)	STEEL	ZN, CLEAR CHROMATE
3	2	MOUNTING PLATE	BRASS	NICKEL
2	XX	TERMINAL	BRASS	BRT.TIN/CU
1	1	INSULATOR, SINGLE ROW	PBT	BLACK
ITEM	QTY.	DESCRIPTION	MATERIAL	FINISH

ADD 38720663 SEE SHT 2 EC NO: JG2015-0783 DRAWN BY: DRWINSTONE 28/11/07 CHKD BY: RUPERT 10/29/2014 APPROVED BY: APPREHODMAN 29/11/07	QUALITY SYMBOLS ▽=0 ▽=0	GENERAL TOLERANCES (UNLESS SPECIFIED)		DIMENSION STYLE MM/IN		SCALE 2:1	DESIGN UNITS INCH	THIRD ANGLE PROJECTION	
		4 PLACES ± --- ± ---	3 PLACES ± --- ± .005	2 PLACES ± 0.13 ± .01	1 PLACE ± 0.3 ± ---	ANGULAR ± 2 °	DRAWN BY W. HOWARD	DATE 2003/10/16	TITLE 9.53MM [.375"] SR BTS, PC ASSY
DRAFT WHERE APPLICABLE MUST REMAIN WITHIN DIMENSIONS		SEE SHT. 2		MATERIAL NO.		DOCUMENT NO.		MOLEX INCORPORATED	
SIZE B		THIS DRAWING CONTAINS INFORMATION THAT IS PROPRIETARY TO MOLEX INCORPORATED AND SHOULD NOT BE USED WITHOUT WRITTEN PERMISSION		SD-38720-001		SHEET NO.		1 OF 2	

15\_Frame\_B\_P\_ME\_T  
Rev. E 2006/04/15

	10	9	8	7	6	5	4	3	2	1
NUMBER OF CIRCUITS "XX"										
MATERIAL NO. (OPT 12A)										
MATERIAL NO. (OPT 11A)										
MATERIAL NO. (OPT 10A)										
MATERIAL NO. (OPT -59)										
MATERIAL NO. (OPT -58)										
MATERIAL NO. (OPT -56)										
MATERIAL NO. (OPT -50)										
MATERIAL NO. (OPT -49,-50)										
MATERIAL NO. (OPT -49)										
MATERIAL NO. (OPT -47,-50)										
MATERIAL NO. (STD)										
01										38720-6201
02										38720-6202
03	38729-0872	38729-0025	38729-1039		38729-0750	38729-0791	38720-7402	38729-1381	38720-6802	38720-6203
04			38729-0014			38729-0117	38720-7403		38720-6803	38720-6204
05	38729-0256		38729-0940	38729-0945		38729-0839	38720-7404	38729-1159	38720-6804	38720-6205
06			38729-0346			38729-1253	38720-7405	38729-1382	38720-6805	38720-6206
07				38729-0400	38729-0386	38729-0980	38720-7406	38729-1383	38720-6806	38720-6207
08	38729-0497		38729-0423	38729-0407	38729-0435	38729-0440	38720-7407		38720-6807	38720-6208
09			38729-0548			38729-0508	38729-0532	38720-7408	38720-6808	38720-6209
10			38729-0560			38729-0560	38720-7409	38720-7409	38720-6809	38720-6210
11			38729-1011	38729-0598	38729-0598	38729-1663	38720-7410	38720-6810	38720-6211	38720-6212
12						38729-1252	38720-7411		38720-6213	38720-6214
13			38729-0720			38729-0735	38720-7412	38720-6812	38720-6215	38720-6216
14						38729-0809	38720-7413		38720-6217	38720-6218
15						38729-0004	38720-7414	38720-6814	38720-6219	38720-6220
16									38720-6221	38720-6222
17									38720-6223	38720-6224
18									38720-6225	38720-6226
19										
20										
21										
22										
23										
24										
25										
26										

NUMBER OF CIRCUITS "XX"	DIM. "A"	DIM. "B"	DIM. "C"	DIM. "D"
01	30.7	1.21	-	19.1
02	40.1	1.58	9.53	28.6
03	49.7	1.96	19.05	38.1
04	59.2	2.33	28.58	47.6
05	68.7	2.71	38.10	57.2
06	78.2	3.08	47.63	66.7
07	87.8	3.46	57.15	76.2
08	97.3	3.83	66.68	85.7
09	106.8	4.21	76.20	95.3
10	116.3	4.58	85.73	104.8
11	125.9	4.96	95.25	114.3
12	135.4	5.33	104.78	123.8
13	144.9	5.71	114.30	133.4
14	154.4	6.08	123.83	142.9
15	164.0	6.46	133.35	152.4
16	173.5	6.83	142.88	161.9
17	183.0	7.21	152.40	171.5
18	192.5	7.58	161.93	181.0
19	202.1	7.96	171.45	190.5
20	211.6	8.33	180.98	200.0
21	221.1	8.71	190.50	209.6
22	230.6	9.08	200.02	219.1
23	240.2	9.46	209.55	228.6
24	249.7	9.83	219.08	238.1
25	259.2	10.21	228.60	247.7
26	268.7	10.58	238.13	257.2



PTH PATTERN

ADD 387291663 (10P) EC NO: PG2015-0783 DRAWN BY: 2014/10/27 CHKD BY: RUPERT 10/29/2014 APPR BY: BODIMAN 20/11/2014 REV DESCRIPTION	QUALITY SYMBOLS	GENERAL TOLERANCES (UNLESS SPECIFIED)	DIMENSION STYLE	SCALE	DESIGN UNITS	THIRD ANGLE PROJECTION
	▽=0	mm INCH	MM/IN	2:1	INCH	
	▽=0	4 PLACES ± --- ± ---	DRAWN BY DATE	TITLE 9.53MM [.375"] SR BTS, PC ASSY		
		3 PLACES ± --- ± .005	W. HOWARD 2003/10/16			
	2 PLACES ± 0.13 ± .01	CHECKED BY DATE	Molex MOLEX INCORPORATED DOCUMENT NO. SD-38720-001 SHEET NO. 2 OF 2			
	1 PLACE ± 0.3 ± ---	R. KEMP 2003/10/16				
	ANGULAR ± 2°	APPROVED BY DATE				
		P. WALTZ 2003/10/16				
		MATERIAL NO.				
		SEE CHART				
		DRAFT WHERE APPLICABLE MUST REMAIN WITHIN DIMENSIONS				
		SIZE B				
		THIS DRAWING CONTAINS INFORMATION THAT IS PROPRIETARY TO MOLEX INCORPORATED AND SHOULD NOT BE USED WITHOUT WRITTEN PERMISSION				