



Distributor of Molex Connector Corporation: Excellent Integrated System Limited

Datasheet of 0387244104 - Connector Barrier Block Strip 4 Circuit 0.375" (9.53mm)

Contact us: sales@integrated-circuit.com Website: www.integrated-circuit.com

Excellent Integrated System Limited

Stocking Distributor

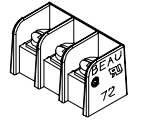
Click to view price, real time Inventory, Delivery & Lifecycle Information:

[Molex Connector Corporation](#)
[0387244104](#)

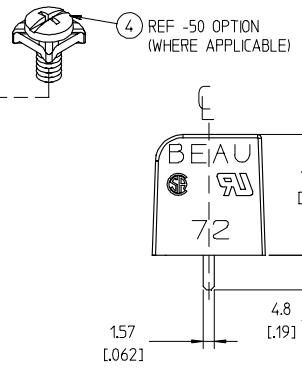
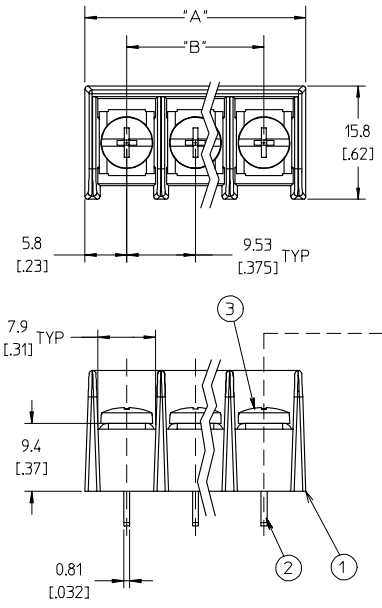
For any questions, you can email us directly:

sales@integrated-circuit.com

QTY OF CIRCUITS "XX"	DIM. "A"	DIM. "B"	ASSEMBLY MATERIAL NO. (STANDARD)	ASSEMBLY MATERIAL NO. (-50 OPTION)
02	21.1 [.83]	9.53 [.375]	387244102	387244902
03	30.7 [1.21]	19.05 [.750]	387244103	387244903
04	40.2 [1.58]	28.58 [1.125]	387244104	387244904
05	49.7 [1.96]	38.10 [1.500]	387244105	387244905
06	59.2 [2.33]	47.63 [1.875]	387244106	387244906
07	68.8 [2.71]	57.15 [2.250]	387244107	387244907
08	78.3 [3.08]	66.68 [2.625]	387244108	387244908
09	87.8 [3.46]	76.20 [3.000]	387244109	387244909
10	97.3 [3.83]	85.73 [3.375]	387244110	387244910
11	106.9 [4.21]	95.25 [3.750]	387244111	387244911
12	116.4 [4.58]	104.78 [4.125]	387244112	387244912
13	125.9 [4.96]	114.30 [4.500]	387244113	387244913
14	135.4 [5.33]	123.83 [4.875]	387244114	387244914
15	145.0 [5.71]	133.35 [5.250]	387244115	387244915
16	154.5 [6.08]	142.88 [5.625]	387244116	387244916



ISOMETRIC VIEW
SCALE 1:1
3 CIRCUIT SHOWN



- NOTES:
1. MATERIAL: SEE TABLE
 2. FINISHES: SEE TABLE
 3. PRODUCT SPECIFICATION: NOT REQUIRED
 4. PACKAGING: NOT REQUIRED
 5. MATES WITH NONE
 6. "XX" REFERS TO THE QUANTITY OF CIRCUITS.
 7. ALL COMPONENTS ARE ROHS COMPLIANT.

ITEM	QTY	DESCRIPTION	MATERIAL	FINISH
4	XX	SCREW W/WASHER, #6-32X.250, PANHD, PH-SL	STEEL	ZN, CLEAR CHROMATE
3	XX	SCREW, #6-32X.250, BHD, PHL-SLOT	STEEL	ZN, CLEAR CHROMATE
2	XX	TERMINAL, PC	BRASS	TIN PLATE
1	1	INSULATOR, SR, CS, MOLDED, -C	PBT	BLACK

INITIAL RELEASE	EC NO. ETC	DRAWN BY	DATE	CHECKED BY	DATE	APPROVED BY	DATE	TITLE	SCALE	DESIGN UNITS	THIRD ANGLE PROJECTION	MATERIAL NO.	DOCUMENT NO.	SHEET NO.			
															4 PLACES	3 PLACES	2 PLACES
0335	2006/03/24	C. YORK	2006/03/24	RDEROSS	2006/03/24	RDEROSS	2006/03/24	SR BTS, PC, CS ASSY 9.53 MM [.375] CENTERS	2:1	INCH	THIRD ANGLE PROJECTION						
DESCRIPTION	QUALITY SYMBOLS	GENERAL TOLERANCES (UNLESS SPECIFIED)		DIMENSION STYLE MM/IN		SCALE 2:1		DESIGN UNITS INCH		THIRD ANGLE PROJECTION		MATERIAL NO. SEE CHART		DOCUMENT NO. SD-38724-002		SHEET NO. 1 OF 1	
	▽=0	4 PLACES ± .015		DRAWN BY C. YORK		DATE 2006/03/24		TITLE SR BTS, PC, CS ASSY		THIRD ANGLE PROJECTION		MATERIAL NO. SEE CHART		DOCUMENT NO. SD-38724-002		SHEET NO. 1 OF 1	
	▽=0	3 PLACES ± 0.038 ± .005		CHECKED BY RDEROSS		DATE 2006/03/24		9.53 MM [.375] CENTERS				MATERIAL NO. SEE CHART		DOCUMENT NO. SD-38724-002		SHEET NO. 1 OF 1	
		2 PLACES ± 0.13 ± .01		APPROVED BY RDEROSS		DATE 2006/03/24		MOLEX INCORPORATED				MATERIAL NO. SEE CHART		DOCUMENT NO. SD-38724-002		SHEET NO. 1 OF 1	
		1 PLACE ± 0.3 ± .---		ANGULAR ± 2 °				THIS DRAWING CONTAINS INFORMATION THAT IS PROPRIETARY TO MOLEX INCORPORATED AND SHOULD NOT BE USED WITHOUT WRITTEN PERMISSION				MATERIAL NO. SEE CHART		DOCUMENT NO. SD-38724-002		SHEET NO. 1 OF 1	
		DRAFT WHERE APPLICABLE MUST REMAIN WITHIN DIMENSIONS		SIZE B								MATERIAL NO. SEE CHART		DOCUMENT NO. SD-38724-002		SHEET NO. 1 OF 1	