



Distributor of Molex Connector Corporation: Excellent Integrated System Limited

Datasheet of 0387244806 - Connector Barrier Block Strip 6 Circuit 0.375" (9.53mm)

Contact us: sales@integrated-circuit.com Website: www.integrated-circuit.com

Excellent Integrated System Limited

Stocking Distributor

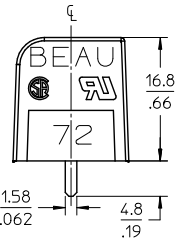
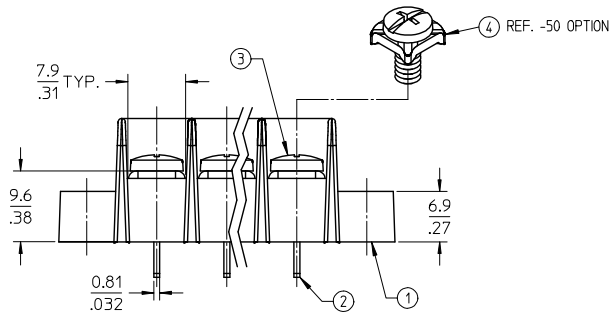
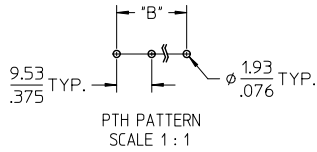
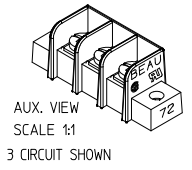
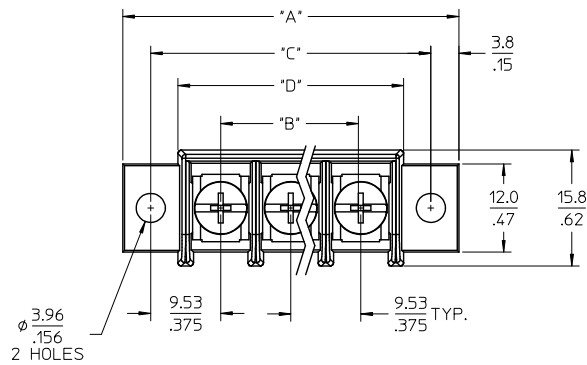
Click to view price, real time Inventory, Delivery & Lifecycle Information:

[Molex Connector Corporation](#)
[0387244806](#)

For any questions, you can email us directly:

sales@integrated-circuit.com

| QTY. OF CIRC. 'XX' | DIM. 'A' | | DIM. 'B' | | DIM. 'C' | | DIM. 'D' | | ASSEMBLY MATERIAL # (STANDARD) | ASSEMBLY MATERIAL # (-50 OPT.) (B) |
|--------------------|----------|------|----------|-------|----------|-------|----------|------|--------------------------------|------------------------------------|
| | mm | inch | mm | inch | mm | inch | mm | inch | | |
| 02 | 36.2 | 1.43 | 9.53 | .375 | 28.58 | 1.125 | 21.1 | .83 | 387244002 | 387244802 |
| 03 | 45.7 | 1.80 | 19.05 | .750 | 38.10 | 1.500 | 30.7 | 1.21 | 387244003 | 387244803 |
| 04 | 55.2 | 2.18 | 28.58 | 1.125 | 47.63 | 1.875 | 40.2 | 1.58 | 387244004 | 387244804 |
| 05 | 64.8 | 2.55 | 38.10 | 1.500 | 57.15 | 2.250 | 49.7 | 1.96 | 387244005 | 387244805 |
| 06 | 74.3 | 2.93 | 47.63 | 1.875 | 66.68 | 2.625 | 59.2 | 2.33 | 387244006 | 387244806 |
| 07 | 83.8 | 3.30 | 57.15 | 2.250 | 76.20 | 3.000 | 68.8 | 2.71 | 387244007 | 387244807 |
| 08 | 93.3 | 3.68 | 66.68 | 2.625 | 85.73 | 3.375 | 78.3 | 3.08 | 387244008 | 387244808 |
| 09 | 102.9 | 4.05 | 76.20 | 3.000 | 95.25 | 3.750 | 87.8 | 3.46 | 387244009 | 387244809 |
| 10 | 112.4 | 4.43 | 85.73 | 3.375 | 104.78 | 4.125 | 97.3 | 3.83 | 387244010 | 387244810 |
| 11 | 121.9 | 4.80 | 95.25 | 3.750 | 114.30 | 4.500 | 106.9 | 4.21 | 387244011 | 387244811 |
| 12 | 131.4 | 5.18 | 104.78 | 4.125 | 123.83 | 4.875 | 116.4 | 4.58 | 387244012 | 387244812 |
| 13 | 141.0 | 5.55 | 114.30 | 4.500 | 133.35 | 5.250 | 125.9 | 4.96 | 387244013 | 387244813 |
| 14 | 150.5 | 5.93 | 123.83 | 4.875 | 142.88 | 5.625 | 135.4 | 5.33 | 387244014 | 387244814 |
| 15 | 160.0 | 6.30 | 133.35 | 5.250 | 152.40 | 6.000 | 145.0 | 5.71 | 387244015 | 387244815 |
| 16 | 169.5 | 6.68 | 142.88 | 5.625 | 161.93 | 6.375 | 154.5 | 6.08 | 387244016 | 387244816 |



NOTES:

1. MATERIAL: SEE TABLE
2. FINISHES: SEE TABLE
3. PRODUCT SPECIFICATION: NOT REQUIRED
4. 'XX' REFERS TO THE QUANTITY OF CIRCUITS
5. ROHS COMPLIANT

| ITEM | QTY. | DESCRIPTION | MATERIAL | FINISH |
|------|------|--|-----------------|--------------------|
| 4 | XX | SCREW W/WASHER, #6-32X.250, PANHD, PH-SL | STEEL | ZN, CLEAR CHROMATE |
| 3 | XX | SCREW, #6-32X.250, BHD, PHL-SLOT | STEEL | ZN, CLEAR CHROMATE |
| 2 | XX | TERMINAL, PC | BRASS | TIN PLATE |
| 1 | 1 | INSULATOR, SR, CS, MOLDED MTG. | POLYESTER (PBT) | BLACK |

| | | | | | | |
|--|-----------------|---|---|------------------------------------|--|------------------------|
| ADD -50 PART NUMS. EC NO: WNA2009-0426 DRAWING: JENCIMS 2009/02/06 CHKDC: YORK 2009/02/10 APPR: JVALONE L 2009/02/10 DESCRIPTION: | QUALITY SYMBOLS | GENERAL TOLERANCES (UNLESS SPECIFIED) | DIMENSION STYLE | SCALE | DESIGN UNITS | THIRD ANGLE PROJECTION |
| | ▽=0 ▽=0 | mm INCH 4 PLACES ± --- ± --- 3 PLACES ± --- ± .005 2 PLACES ± 0.13 ± .01 1 PLACE ± 0.3 ± --- ANGULAR ± 2 ° | MM/IN | 2:1 | INCH | |
| | | DRAFT WHERE APPLICABLE MUST REMAIN WITHIN DIMENSIONS | DRAWN BY C. YORK DATE 2005/06/07 CHECKED BY G. ROBERTSON DATE 2005/06/13 APPROVED BY G. ROBERTSON DATE 2005/06/13 | TITLE | 9.53MM [.375"] SR BTS, PC ASSY, CLOSED SIDE (72R5XX) | |
| | | | MATERIAL NO. SEE CHART SIZE B | MOLEX INCORPORATED SD-38724-001 | SHEET NO. 1 OF 1 | |