



Distributor of Molex Connector Corporation: Excellent Integrated System Limited

Datasheet of 0387251006 - Connector Barrier Block Strip 6 Circuit 0.375" (9.53mm)

Contact us: sales@integrated-circuit.com Website: www.integrated-circuit.com

Excellent Integrated System Limited

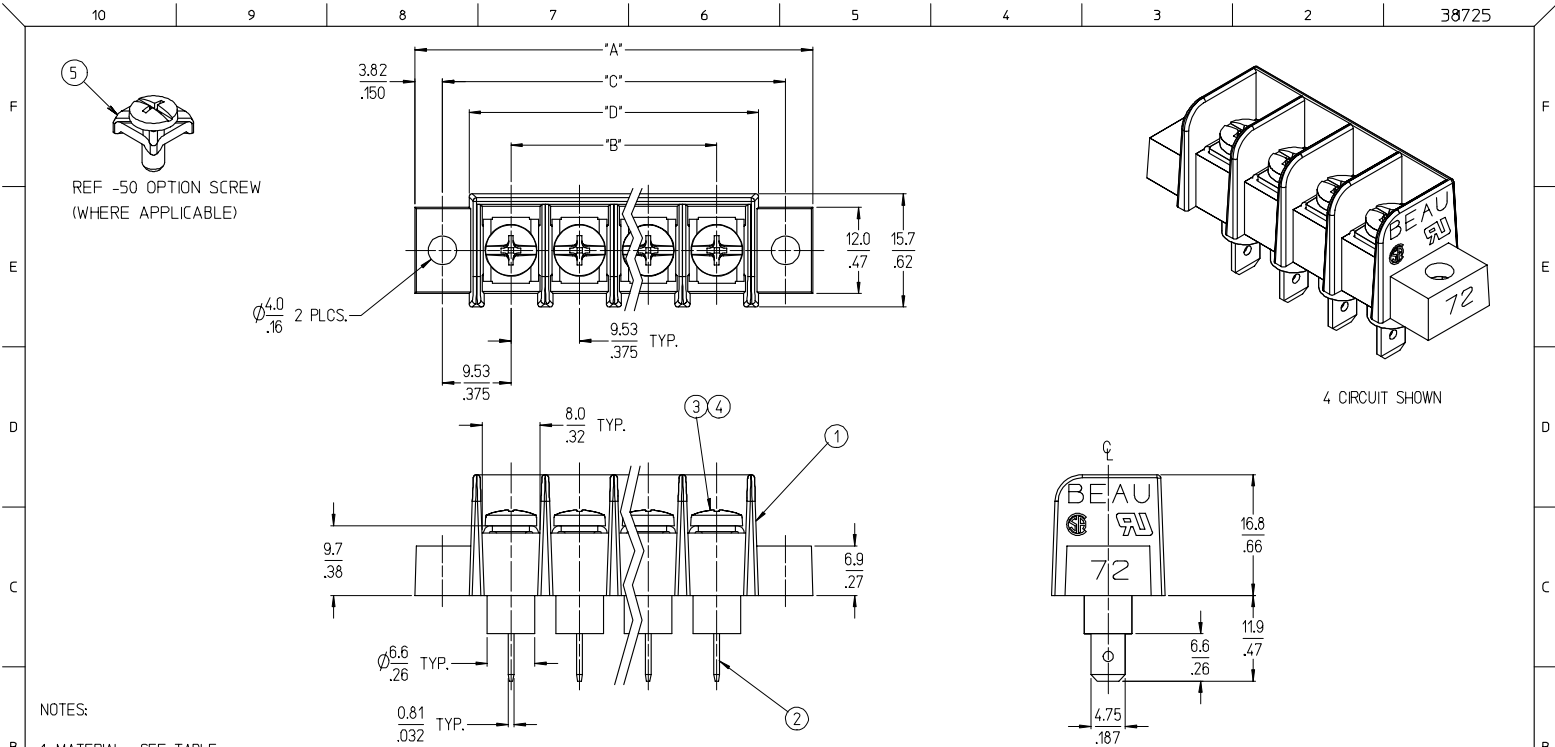
Stocking Distributor

Click to view price, real time Inventory, Delivery & Lifecycle Information:

[Molex Connector Corporation](#)
[0387251006](#)

For any questions, you can email us directly:

sales@integrated-circuit.com



NOTES:

1. MATERIAL: SEE TABLE
2. "XX" REFERS TO THE QUANTITY OF CIRCUITS.
3. ALL COMPONENTS ARE ROHS COMPLIANT.

ITEM	QTY	DESCRIPTION	MATERIAL	FINISH	CORRECTION ON -50 OPT. EC NO: ETC2007-0333 2007/04/02	DRAWN BY EHILE 2006/08/23	DATE 2006/08/23	TITLE 9.53MM [.375] SR BTS CS ASSY, INSULATED QUICK CONNECT W/MTG.	SCALE 2:1	DESIGN UNITS INCH	THIRD ANGLE PROJECTION	GENERAL TOLERANCES (UNLESS SPECIFIED)		DIMENSION STYLE MM/IN		DRAWN BY EHILE 2006/08/23	DATE 2006/08/23	CHECKED BY JMACNEIL 2006/08/23	DATE 2006/08/23	APPROVED BY JMACNEIL 2006/08/23	DATE 2006/08/23	MATERIAL NO. SEE CHART	DOCUMENT NO. SD-38725-002	SHEET NO. 1 OF 2
												mm	INCH	mm	INCH									
5	XX	SCREW&WASHER, #6-32X.25 PAN, PH/SL (1-50 OPT)	STEEL	ZINC CLEAR CHROMATE								4 PLACES	± .005	± .005										
4	XX	SCREW, #6-32X.25 BHD, PH/SL (1-49 OPT)	BRASS	NICKEL								3 PLACES	± .005	± .005										
3	XX	SCREW, #6-32X.25 BHD, PH/SL (STANDARD)	STEEL	ZINC CLEAR CHROMATE								2 PLACES	± 0.13	± .01										
2	XX	TERMINAL, QUICK CONNECT (STYLE 9)	BRASS	TIN								1 PLACE	± 0.3	± .---										
1	1	INSULATOR, SR, CS, INSL BASE, MTG.	THERMOPLASTIC	BLACK								ANGULAR ± 2 °												
DRAFT WHERE APPLICABLE MUST REMAIN WITHIN DIMENSIONS												ANGULAR ± 2 °		MATERIAL NO. SEE CHART		DOCUMENT NO. SD-38725-002		SHEET NO. 1 OF 2						

10 9 8 7 6 5 4 3 2 38725

NO. OF CIRCUITS	DIM. "A"		DIM. "B"		DIM. "C"		DIM. "D"		ASSEMBLY MATERIAL NO. (STANDARD)	ASSEMBLY MATERIAL NO. (-49 OPTION)	ASSEMBLY MATERIAL NO. (-50 OPTION)
	mm	INCH	mm	INCH	mm	INCH	mm	INCH			
02	36.2	1.43	9.53	.375	28.58	1.125	21.1	.83	387251002	387251202	387251402
03	45.7	1.80	19.05	.750	38.10	1.500	30.7	1.21	387251003	387251203	387251403
04	55.2	2.18	28.58	1.125	47.63	1.875	40.2	1.58	387251004	387251204	387251404
05	64.8	2.55	38.10	1.500	57.15	2.250	49.7	1.96	387251005	387251205	387251405
06	74.3	2.93	47.63	1.875	66.68	2.625	59.2	2.33	387251006	387251206	387251406
07	83.8	3.30	57.15	2.250	76.20	3.000	68.8	2.71	387251007	387251207	387251407
08	93.3	3.68	66.68	2.625	85.73	3.375	78.3	3.08	387251008	387251208	387251408
09	102.9	4.05	76.20	3.000	95.25	3.750	87.8	3.46	387251009	387251209	387251409
10	112.4	4.43	85.73	3.375	104.78	4.125	97.3	3.83	387251010	387251210	387251410
11	121.9	4.80	95.25	3.750	114.30	4.500	106.9	4.21	387251011	387251211	387251411
12	131.4	5.18	104.78	4.125	123.83	4.875	116.4	4.58	387251012	387251212	387251412
13	141.0	5.55	114.30	4.500	133.35	5.250	125.9	4.96	387251013	387251213	387251413

SEE SHEET #1 EC NO: ETC2007-0333 DRAWN: JMACNEIL 2007/04/20 CHKD: JENCINS 2007/04/27 APPR: JMACNEIL 2007/04/30	QUALITY SYMBOLS ▽=0 ▽=0	GENERAL TOLERANCES (UNLESS SPECIFIED)		DIMENSION STYLE MM/IN		SCALE 2:1	DESIGN UNITS INCH	THIRD ANGLE PROJECTION	
		4 PLACES ± --- ± ---	3 PLACES ± --- ± .005	2 PLACES ± 0.13 ± .01	1 PLACE ± 0.3 ± ---	mm	INCH	DRAWN BY DATE	TITLE
		ANGULAR ± 2 °				DRAWN BY DATE		9.53MM [.375] SR BTS CS ASSY, INSULATED QUICK CONNECT W/MTG.	
		DRAFT WHERE APPLICABLE MUST REMAIN WITHIN DIMENSIONS				CHECKED BY DATE		MOLEX INCORPORATED	
MATERIAL NO. SEE CHART		APPROVED BY DATE		DOCUMENT NO. SD-38725-002		SHEET NO. 2 OF 2		THIS DRAWING CONTAINS INFORMATION THAT IS PROPRIETARY TO MOLEX INCORPORATED AND SHOULD NOT BE USED WITHOUT WRITTEN PERMISSION	

9 8 7 6 5 4 3 2 1