



**Distributor of Molex Connector Corporation: Excellent Integrated System Limited**  
Datasheet of 0387300107 - Connector Barrier Block Strip 7 Circuit 0.438" (11.12mm)

Contact us: [sales@integrated-circuit.com](mailto:sales@integrated-circuit.com) Website: [www.integrated-circuit.com](http://www.integrated-circuit.com)

---

## **Excellent Integrated System Limited**

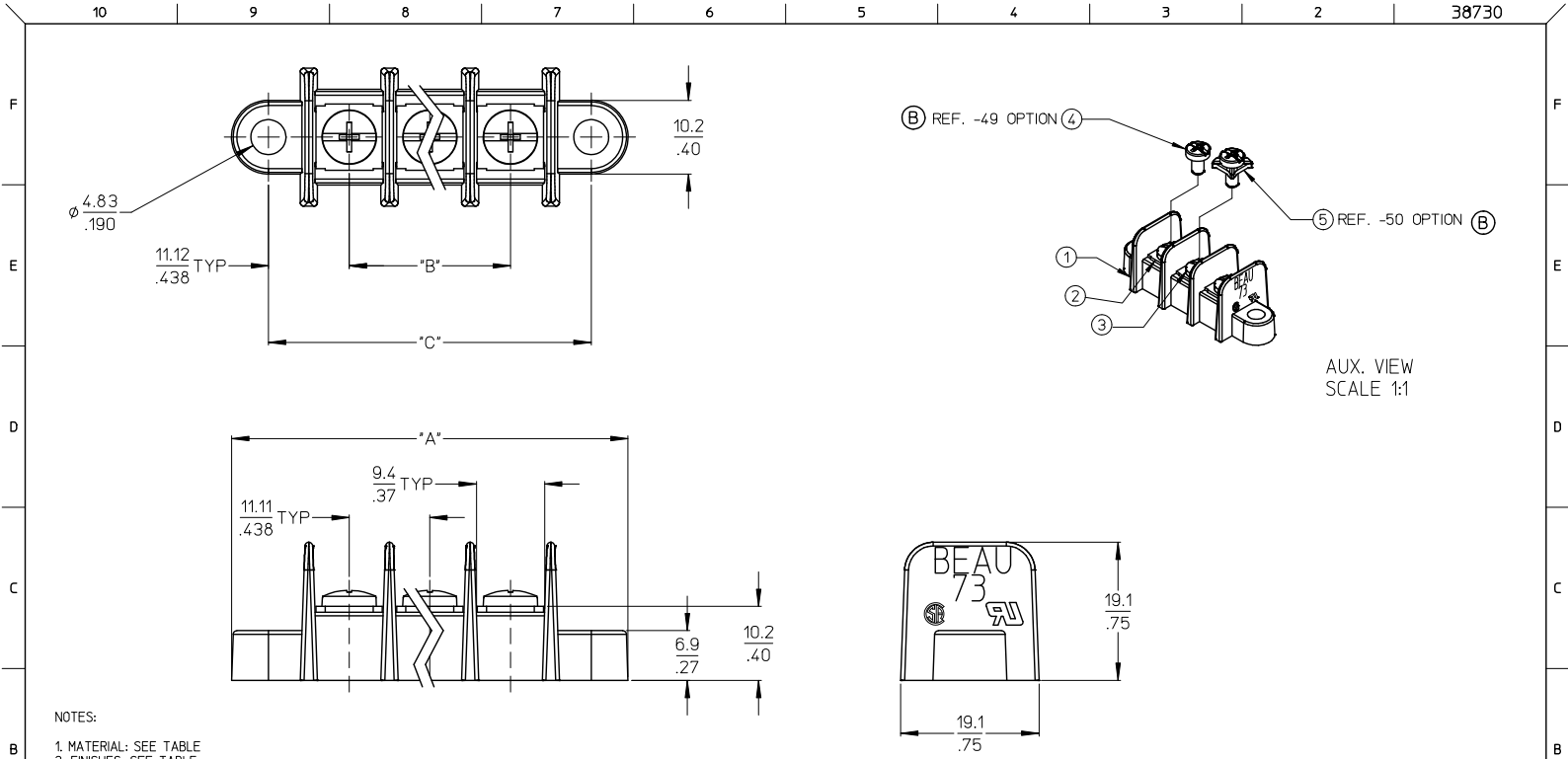
Stocking Distributor

Click to view price, real time Inventory, Delivery & Lifecycle Information:

[Molex Connector Corporation](#)  
[0387300107](#)

For any questions, you can email us directly:

[sales@integrated-circuit.com](mailto:sales@integrated-circuit.com)



NOTES:

- 1. MATERIAL: SEE TABLE
- 2. FINISHES: SEE TABLE
- 3. PRODUCT SPECIFICATION: AS REQUIRED
- 4. "XX" REFERS TO NUMBER OF CIRCUITS
- 5. ROHS COMPLIANT

5	"XX"	SCREW,#6-32X.250,PANPH-SL W/SO WSHR (-50 OPT)	STEEL (B)	ZN, CLEAR CHROMATE	ADD -49 & -50 OPT EC NO: WNA2009-0426 DRAWN: JENCINAS 2008/02/06 CHECKED: CYORK 2008/02/10 APPR: JMACNEIL 2009/02/10 DESCRIPTION REV: B	QUALITY SYMBOLS	GENERAL TOLERANCES (UNLESS SPECIFIED)	DIMENSION STYLE	SCALE	DESIGN UNITS	THIRD ANGLE PROJECTION
4	"XX"	SCREW,#6-32X.250,PANPHIL-SLOT (-49 OPT) (B)	BRASS	NICKEL PLATE		mm	INCH	MM/IN	2:1	INCH	
3	"XX"	SCREW,#6-32X.250,BHD,PHIL-SLOT (STD)	STEEL	ZN, CLEAR CHROMATE		4 PLACES ± .005	± .005	DRAWN BY	DATE	TITLE .438" SINGLE ROW PCB BARRIER TERMINAL STRIP MOLEX INCORPORATED SD-38730-005 SHEET NO. 1 OF 2	
2	"XX"	TERMINAL, CLOSED BACK, 6C	BRASS	TIN PLATE		3 PLACES ± 0.13	± .01	CHECKED BY	DATE		
1	1	SR BTS CB MO MTG	POLYESTER (PBT)	BLACK		2 PLACES ± .3	± .01	APPROVED BY	DATE		
ITEM		QTY.	DESCRIPTION	MATERIAL	FINISH	1 PLACE ± .3	JMACNEIL	2008/03/20			
						ANGULAR ± 2°	SEE CHART				
							DRAFT WHERE APPLICABLE MUST REMAIN WITHIN DIMENSIONS	MATERIAL NO.	DOCUMENT NO.		

10 9 8 7 6 5 4 3 2 38730

NUMBER OF CIRCUITS	"A" DIM.	"B" DIM.	"C" DIM.	MATERIAL NO. (STD)	MATERIAL NO. (-49) (B)	MATERIAL NO. (-50) (B)
02	43.51 [1.713]	11.12 [.438]	33.35 [1.313]	387300102	387300702	387301302
03	54.62 [2.150]	22.21 [.874]	44.50 [1.752]	387300103	387300703	387301303
04	65.73 [2.587]	33.30 [1.311]	55.63 [2.190]	387300104	387300704	387301304
05	76.84 [3.024]	44.39 [1.748]	66.75 [2.628]	387300105	387300705	387301305
06	87.95 [3.461]	55.48 [2.185]	77.88 [3.066]	387300106	387300706	387301306
07	99.06 [3.898]	66.58 [2.622]	89.00 [3.504]	387300107	387300707	387301307
08	110.17 [4.335]	77.66 [3.059]	100.13 [3.942]	387300108	387300708	387301308
09	121.28 [4.772]	88.75 [3.496]	111.25 [4.380]	387300109	387300709	387301309
10	132.39 [5.209]	99.84 [3.933]	122.38 [4.818]	387300110	387300710	387301310
11	143.50 [5.646]	110.94 [4.370]	133.50 [5.256]	387300111	387300711	387301311
12	154.61 [6.083]	122.02 [4.807]	144.63 [5.694]	387300112	387300712	387301312
13	165.72 [6.520]	133.12 [5.244]	155.75 [6.132]	387300113	387300713	387301313
14	176.83 [6.957]	144.20 [5.681]	166.88 [6.570]	387300114	387300714	387301314
15	187.94 [7.394]	155.30 [6.118]	178.00 [7.008]	387300115	387300715	387301315
16	199.05 [7.831]	166.38 [6.555]	189.13 [7.446]	387300116	387300716	387301316
17	210.16 [8.268]	177.48 [6.992]	200.25 [7.884]	387300117	387300717	387301317
18	221.27 [8.705]	188.56 [7.429]	211.38 [8.322]	387300118	387300718	387301318
19	232.38 [9.142]	199.65 [7.866]	222.50 [8.760]	387300119	387300719	387301319
20	243.49 [9.579]	210.74 [8.303]	233.63 [9.198]	387300120	387300720	387301320
21	254.60 [10.016]	221.84 [8.740]	244.75 [9.636]	387300121	387300721	387301321
22	265.71 [10.453]	232.92 [9.177]	255.88 [10.074]	387300122	387300722	387301322
23	276.82 [10.890]	244.02 [9.614]	267.00 [10.512]	387300123	387300723	387301323
24	287.93 [11.327]	255.10 [10.051]	278.13 [10.950]	387300124	387300724	387301324
25	299.04 [11.764]	266.20 [10.488]	289.26 [11.388]	387300125	387300725	387301325
26	310.15 [12.201]	277.29 [10.925]	300.38 [11.826]	387300126	387300726	387301326

SEE SHEET ONE EC NO: WNA2009-0426 DRAWN BY: JENC INAS 2008/02/20 CHECKED BY: CYORK 2008/02/10 APPR: JMACNE IL 2009/02/10 DESCRIPTION:	QUALITY SYMBOLS	GENERAL TOLERANCES (UNLESS SPECIFIED)		DIMENSION STYLE		SCALE	DESIGN UNITS	THIRD ANGLE PROJECTION	
	$\nabla=0$ $\nabla=0$	mm	INCH	MM/IN	2:1	INCH			
	4 PLACES	± .005	± .005	DRAWN BY	DATE	TITLE			
	3 PLACES	± .010	± .010	JENC INAS	2008/03/20	.438" SINGLE ROW PCB BARRIER TERMINAL STRIP			
	2 PLACES	± 0.13	± .01	CHECKED BY	DATE				
	1 PLACE	± .3	± .01	CYORK	2008/03/20				
	ANGULAR	± 2°		APPROVED BY	DATE	MOLEX INCORPORATED			
				JMACNE IL	2008/03/20	SD-38730-005			
	DRAFT WHERE APPLICABLE MUST REMAIN WITHIN DIMENSIONS			MATERIAL NO.	DOCUMENT NO.	SHEET NO.			
				SEE CHART		2 OF 2			
				THIS DRAWING CONTAINS INFORMATION THAT IS PROPRIETARY TO MOLEX INCORPORATED AND SHOULD NOT BE USED WITHOUT WRITTEN PERMISSION					

9 8 7 6 5 4 3 2 1