



**Distributor of Molex Connector Corporation: Excellent Integrated System Limited**  
Datasheet of 0387306305 - Connector Barrier Block Strip 5 Circuit 0.438" (11.12mm)

Contact us: [sales@integrated-circuit.com](mailto:sales@integrated-circuit.com) Website: [www.integrated-circuit.com](http://www.integrated-circuit.com)

---

## **Excellent Integrated System Limited**

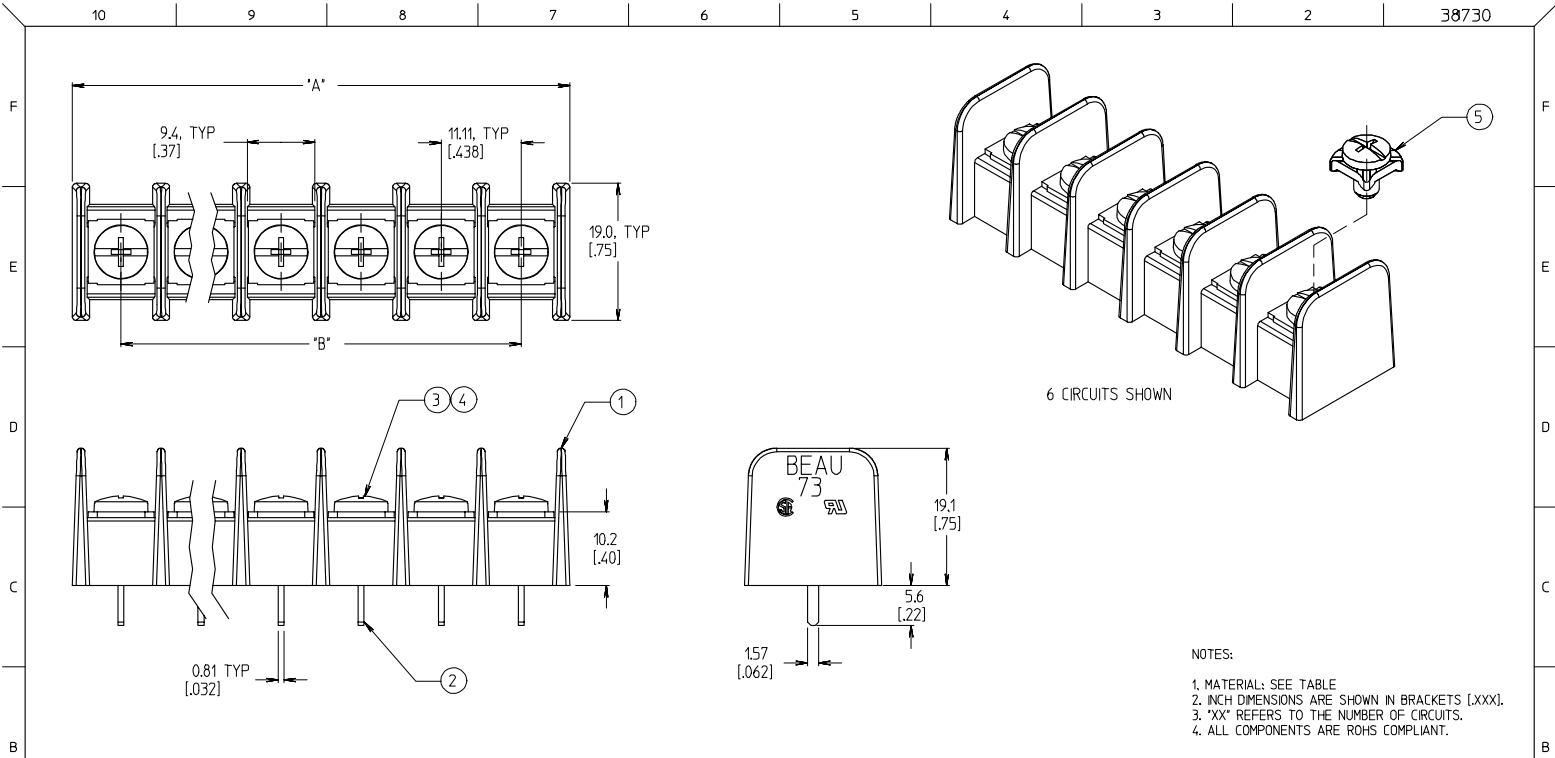
Stocking Distributor

Click to view price, real time Inventory, Delivery & Lifecycle Information:

[Molex Connector Corporation](#)  
[0387306305](#)

For any questions, you can email us directly:

[sales@integrated-circuit.com](mailto:sales@integrated-circuit.com)



| ITEM | QTY | DESCRIPTION                     | MATERIAL      | FINISH             |
|------|-----|---------------------------------|---------------|--------------------|
| 5    | XX  | #6-32 SCREW W/ WASHER (OPT -50) | STEEL         | ZNC CLEAR CHROMATE |
| 4    | XX  | #6-32 SCREW (OPT -49)           | BRASS         | NICKEL             |
| 3    | XX  | #6-32 SCREW (STD)               | STEEL         | ZNC CLEAR CHROMATE |
| 2    | XX  | #6-32 TERMINAL, PC STYLE        | BRASS         | TIN                |
| 1    | 1   | INSULATOR, SR, NO MTG           | THERMOPLASTIC | BLACK              |

|   |                               |   |                           |                         |  |                        |
|---|-------------------------------|---|---------------------------|-------------------------|--|------------------------|
| INITIAL RELEASE<br>EC NO: ETC2007-0073<br>DRAWING: 2006/08/24<br>CHKD: JMACNEIL 2006/08/24<br>APPR: JMACNEIL 2006/08/24 | QUALITY SYMBOLS<br>▽=0<br>▽=0 | GENERAL TOLERANCES (UNLESS SPECIFIED)<br>4 PLACES ± --- ± ---<br>3 PLACES ± --- ± .005<br>2 PLACES ± 0.13 ± .01<br>1 PLACE ± 0.3 ± ---<br>ANGULAR ± 2 ° | DIMENSION STYLE<br>MM/IN  | SCALE<br>2:1            | DESIGN UNITS<br>INCH   | THIRD ANGLE PROJECTION |
|   |                               |   | DRAWN BY<br>EHILE         | DATE<br>2006/08/24      | TITLE<br>11.11 [.438] SR BTS ASY,<br>PC TERMINAL, NO MTG, -C |                        |
| REV<br>A  | DESCRIPTION                   | DRAFT WHERE APPLICABLE<br>MUST REMAIN<br>WITHIN DIMENSIONS  | MATERIAL NO.<br>SEE CHART | APPROVED BY<br>JMACNEIL | DATE<br>2006/08/24   | MOLEX INCORPORATED     |
|   |                               |   |                           | MATERIAL NO.<br>B       | DOCUMENT NO.<br>SD-38730-003                                 | SHEET NO.<br>1 OF 2    |

