



Distributor of Molex Connector Corporation: Excellent Integrated System Limited
Datasheet of 0387307508 - Connector Barrier Block Strip 8 Circuit 0.438" (11.12mm)

Contact us: sales@integrated-circuit.com Website: www.integrated-circuit.com

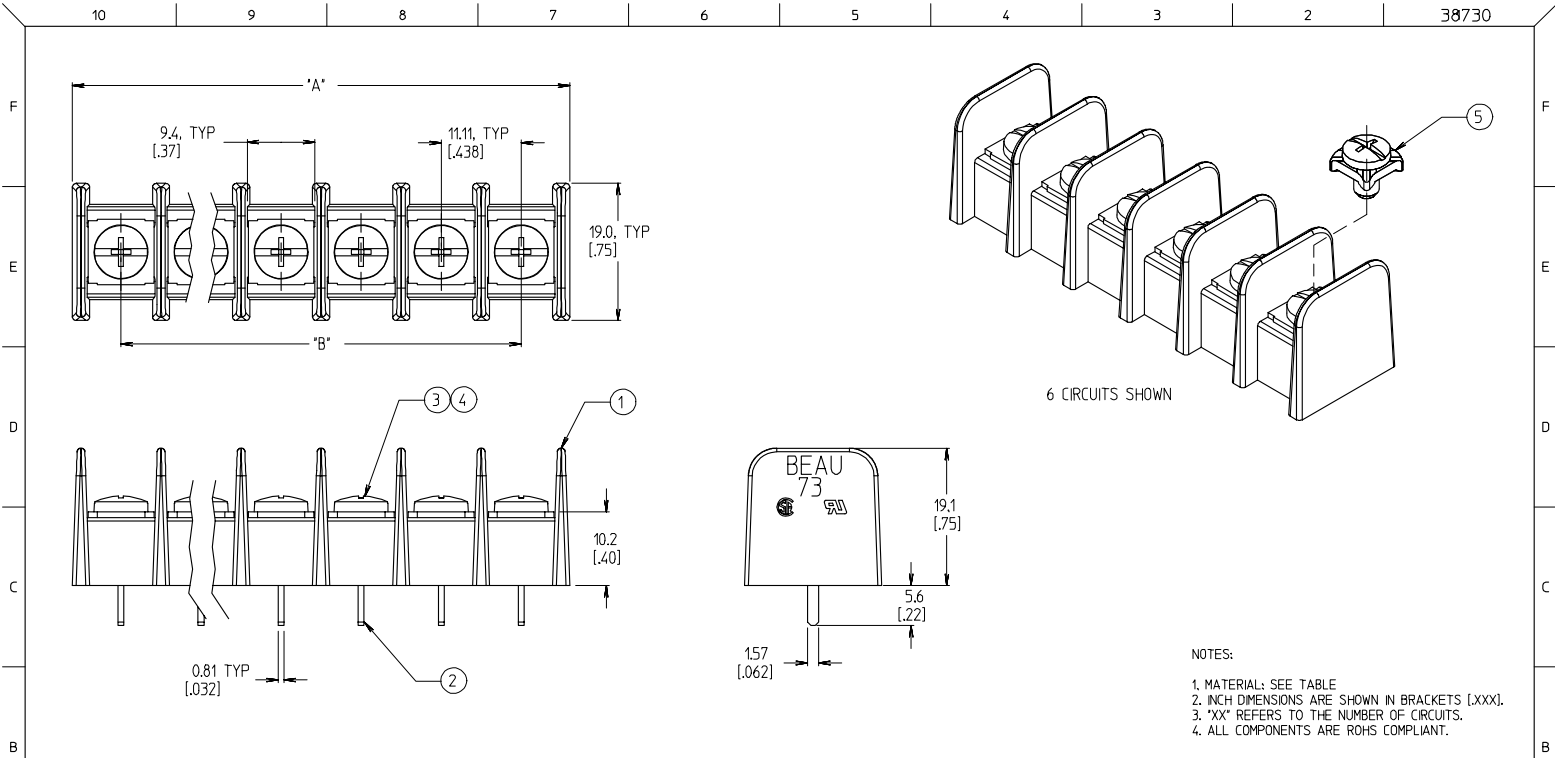
Excellent Integrated System Limited

Stocking Distributor

Click to view price, real time Inventory, Delivery & Lifecycle Information:

[Molex Connector Corporation](#)
[0387307508](#)

For any questions, you can email us directly:
sales@integrated-circuit.com



NOTES:
 1. MATERIAL: SEE TABLE
 2. INCH DIMENSIONS ARE SHOWN IN BRACKETS [.XXX].
 3. "XX" REFERS TO THE NUMBER OF CIRCUITS.
 4. ALL COMPONENTS ARE ROHS COMPLIANT.

ITEM	QTY	DESCRIPTION	MATERIAL	FINISH
5	XX	#6-32 SCREW W/ WASHER (OPT -50)	STEEL	ZNC CLEAR CHROMATE
4	XX	#6-32 SCREW (OPT -49)	BRASS	NICKEL
3	XX	#6-32 SCREW (STD)	STEEL	ZNC CLEAR CHROMATE
2	XX	#6-32 TERMINAL, PC STYLE	BRASS	TIN
1	1	INSULATOR, SR, NO MTG	THERMOPLASTIC	BLACK

INITIAL RELEASE EC NO: ETC2007-0073 DRAWING: 2006/08/24 CHKD: JMACNEIL 2006/08/24 APPR: JMACNEIL 2006/08/24	QUALITY SYMBOLS ▽=0 ▽=0	GENERAL TOLERANCES (UNLESS SPECIFIED)		DIMENSION STYLE MM/IN	SCALE 2:1	DESIGN UNITS INCH	THIRD ANGLE PROJECTION	
		4 PLACES ± --- ± --- 3 PLACES ± --- ± .005 2 PLACES ± 0.13 ± .01 1 PLACE ± 0.3 ± ---	DRAWN BY EHILE	DATE 2006/08/24	TITLE 11.11 [.438] SR BTS ASY, PC TERMINAL, NO MTG, -C			
		ANGULAR ± 2 °	CHECKED BY JMACNEIL	DATE 2006/08/24	APPROVED BY JMACNEIL			
		DRAFT WHERE APPLICABLE MUST REMAIN WITHIN DIMENSIONS	MATERIAL NO. SEE CHART	DATE 2006/08/24	MOLEX INCORPORATED	DOCUMENT NO. SD-38730-003	SHEET NO. 1 OF 2	

10 9 8 7 6 5 4 3 2 38730

NO. OF CIRCUITS "XX"	DIM. "A"		DIM. "B"		ASSEMBLY MATERIAL NO. (-C OPT)	ASSEMBLY MATERIAL NO. (-C-49 OPT)	ASSEMBLY MATERIAL NO. (-C-50 OPT)
	mm	INCH	mm	INCH			
02	24.5	0.97	11.11	0.438	387306302	387306902	387307502
03	35.7	1.40	22.23	0.875	387306303	387306903	387307503
04	46.8	1.84	33.34	1.313	387306304	387306904	387307504
05	57.9	2.28	44.45	1.750	387306305	387306905	387307505
06	69.0	2.72	55.56	2.188	387306306	387306906	387307506
07	80.1	3.15	66.68	2.625	387306307	387306907	387307507
08	91.2	3.59	77.79	3.063	387306308	387306908	387307508
09	102.3	4.03	88.90	3.500	387306309	387306909	387307509
10	113.4	4.47	100.01	3.938	387306310	387306910	387307510
11	124.6	4.90	111.13	4.375	387306311	387306911	387307511
12	135.7	5.34	122.24	4.813	387306312	387306912	387307512
13	146.8	5.78	133.35	5.250	387306313	387306913	387307513
14	157.9	6.22	144.46	5.688	387306314	387306914	387307514
15	169.0	6.65	155.58	6.125	387306315	387306915	387307515
16	180.1	7.09	166.69	6.563	387306316	387306916	387307516
17	191.2	7.53	177.80	7.000	387306317	387306917	387307517
18	202.3	7.97	188.91	7.438	387306318	387306918	387307518
19	213.5	8.40	200.03	7.875	387306319	387306919	387307519
20	224.6	8.84	211.14	8.313	387306320	387306920	387307520
21	235.7	9.28	222.25	8.750	387306321	387306921	387307521
22	246.8	9.72	233.36	9.188	387306322	387306922	387307522
23	257.9	10.15	244.48	9.625	387306323	387306923	387307523
24	269.0	10.59	255.59	10.063	387306324	387306924	387307524
25	280.1	11.03	266.70	10.500	387306325	387306925	387307525
26	291.2	11.47	277.81	10.938	387306326	387306926	387307526
27	302.4	11.90	288.93	11.375	387306327	387306927	387307527
28	313.5	12.34	300.04	11.813	387306328	387306928	387307528
29	324.6	12.78	311.15	12.250	387306329	387306929	387307529
30	335.7	13.22	322.26	12.688	387306330	387306930	387307530

INITIAL RELEASE EC NO: ETC2007-0073 DRAWN BY: EHILE CHKD: JMACNEIL APPR: JMACNEIL DATE: 2006/08/24 DATE: 2006/08/24	QUALITY SYMBOLS ▽=0 ▽=0	GENERAL TOLERANCES (UNLESS SPECIFIED)		DIMENSION STYLE	SCALE	DESIGN UNITS	THIRD ANGLE PROJECTION	
				MM/IN	2:1	INCH		
				mm	INCH	DRAWN BY: EHILE DATE: 2006/08/24		
				4 PLACES ± ---	± ---	CHECKED BY: JMACNEIL DATE: 2006/08/24		
		3 PLACES ± ---	± .005	APPROVED BY: JMACNEIL DATE: 2006/08/24				
		2 PLACES ± 0.13	± .01	MATERIAL NO. SEE CHART				
		1 PLACE ± 0.3	± ---	DOCUMENT NO. SD-38730-003				
		ANGULAR ± 2 °		SHEET NO. 2 OF 2				
		DRAFT WHERE APPLICABLE MUST REMAIN WITHIN DIMENSIONS		THIS DRAWING CONTAINS INFORMATION THAT IS PROPRIETARY TO MOLEX INCORPORATED AND SHOULD NOT BE USED WITHOUT WRITTEN PERMISSION				

9 8 7 6 5 4 3 2 1