



**Distributor of Molex Connector Corporation: Excellent Integrated System Limited**

Datasheet of 0387344912 - Connector Barrier Block Strip 12 Circuit 0.438" (11.12mm)

Contact us: [sales@integrated-circuit.com](mailto:sales@integrated-circuit.com) Website: [www.integrated-circuit.com](http://www.integrated-circuit.com)

---

## **Excellent Integrated System Limited**

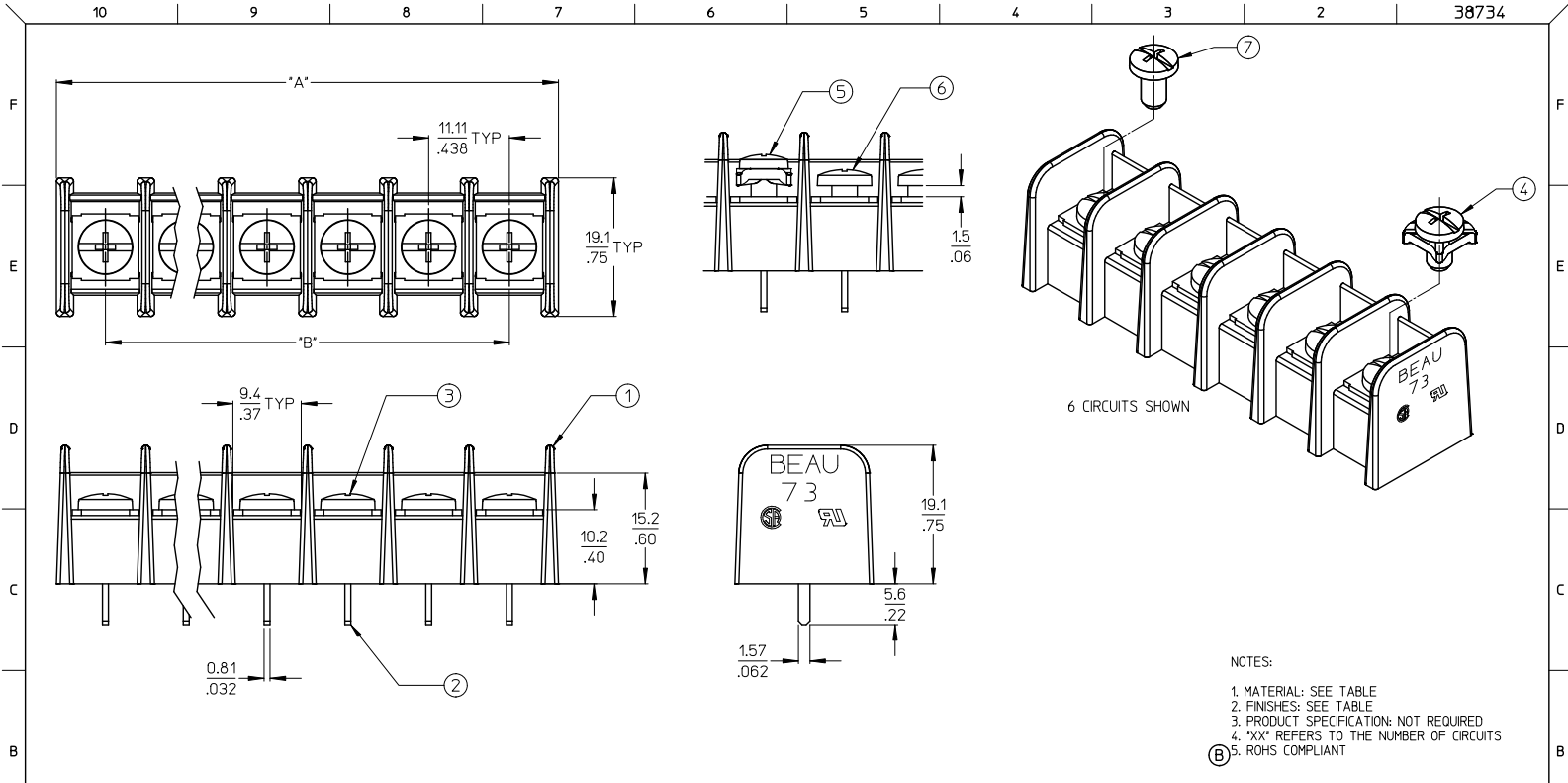
Stocking Distributor

Click to view price, real time Inventory, Delivery & Lifecycle Information:

[Molex Connector Corporation](#)  
[0387344912](#)

For any questions, you can email us directly:

[sales@integrated-circuit.com](mailto:sales@integrated-circuit.com)



- NOTES:
1. MATERIAL: SEE TABLE
  2. FINISHES: SEE TABLE
  3. PRODUCT SPECIFICATION: NOT REQUIRED
  4. "XX" REFERS TO THE NUMBER OF CIRCUITS
  5. ROHS COMPLIANT

7	XX	#6-32 SCREW (OPT -49)	BRASS	NICKEL PLATE	UPDATE FINISH EC NO: WNA2010-0653 DRAWN: JENCINAS 2010/04/30 CHECKED: CLYORK 2010/04/30 APPR: JMACNEIL 2010/05/10	QUALITY SYMBOLS ▽=0 ▽=0	GENERAL TOLERANCES (UNLESS SPECIFIED)		DIMENSION STYLE		SCALE	DESIGN UNITS	THIRD ANGLE PROJECTION	
6	XX	#6-32 SCREW WRD (OPT -47)	STEEL	ZN, CLEAR CHROMATE			mm	INCH	MM/IN	2:1	INCH	TITLE		
5	XX	#6-32 SCR W/WASH (OPT -47,-50)	STEEL	ZN, CLEAR CHROMATE			4 PLACES ± .005	± .005	DRAWN BY	DATE	11.1MM [.438"] SR BTS			
4	XX	#6-32 SCREW W/ WASHER (OPT -50)	STEEL	ZN, CLEAR CHROMATE			3 PLACES ± .013	± .010	CHECKED BY	DATE	PC, CS, ASSY NO MTG ENDS			
3	XX	#6-32 SCREW (STD)	STEEL	ZN, CLEAR CHROMATE			2 PLACES ± 0.3	± .010	CLYORK	2010/04/30	APPROVED BY			
2	XX	#6-32 TERMINAL (STD)	BRASS	TIN PLATE (B)			1 PLACE ± 0.3	± .010	JMACNEIL	2010/05/10	DATE			
1	1	INSULATOR	POLYESTER (PBT)	BLACK			ANGULAR ± 2°		MATERIAL NO.		DOCUMENT NO.		SHEET NO.	
ITEM		QTY.	DESCRIPTION	MATERIAL	FINISH	DRAFT WHERE APPLICABLE MUST REMAIN WITHIN DIMENSIONS		SEE SHEET 2		SD-38734-002		1 OF 2		
THIS DRAWING CONTAINS INFORMATION THAT IS PROPRIETARY TO MOLEX INCORPORATED AND SHOULD NOT BE USED WITHOUT WRITTEN PERMISSION														

Tb\_frame\_B\_P\_ME\_T  
Rev. E 2006/04/15

10 9 8 7 6 5 4 3 2 38734

NO. OF CIRCUITS "XX"	DIM. "A"		DIM. "B"		ASSEMBLY MATERIAL NO. (-C STD)	ASSEMBLY MATERIAL NO. (-C-50 OPT)	ASSEMBLY MATERIAL NO. (-C-49 OPT)	ASSEMBLY MATERIAL NO. (-C-47 OPT)	ASSEMBLY MATERIAL NO. (-C-47-50 OPT)
	mm	INCH	mm	INCH					
2	24.6	0.97	11.11	0.438	387344102	387344902	387344502	387345302	387345702
3	35.8	1.41	22.23	0.875	387344103	387344903	387344503	387345303	387345703
4	46.9	1.85	33.34	1.313	387344104	387344904	387344504	387345304	387345704
5	58.0	2.28	44.45	1.750	387344105	387344905	387344505	387345305	387345705
6	69.1	2.72	55.56	2.188	387344106	387344906	387344506	387345306	387345706
7	80.2	3.16	66.68	2.625	387344107	387344907	387344507	387345307	387345707
8	91.3	3.60	77.79	3.063	387344108	387344908	387344508	387345308	387345708
9	102.4	4.03	88.90	3.500	387344109	387344909	387344509	387345309	387345709
10	113.5	4.47	100.01	3.938	387344110	387344910	387344510	387345310	387345710
11	124.7	4.91	111.13	4.375	387344111	387344911	387344511	387345311	387345711
12	135.8	5.35	122.24	4.813	387344112	387344912	387344512	387345312	387345712
13	146.9	5.78	133.35	5.250	387344113	387344913	387344513	387345313	387345713
14	158.0	6.22	144.46	5.688	387344114	387344914	387344514	387345314	387345714
15	169.1	6.66	155.58	6.125	387344115	387344915	387344515	387345315	387345715
16	180.2	7.10	166.69	6.563	387344116	387344916	387344516	387345316	387345716
17	191.3	7.53	177.80	7.000	387344117	387344917	387344517	387345317	387345717
18	202.4	7.97	188.91	7.438	387344118	387344918	387344518	387345318	387345718
19	213.6	8.41	200.03	7.875	387344119	387344919	387344519	387345319	387345719
20	224.7	8.85	211.14	8.313	387344120	387344920	387344520	387345320	387345720

SEE SHEET ONE EC NO: WNA2010-0653 DRAWN: JENC INAS 2010/04/30 CHECKED: CLYORK 2010/04/30 APPR: JMACNE IL 2010/05/10	QUALITY SYMBOLS ▽=0 ▽=0	GENERAL TOLERANCES (UNLESS SPECIFIED)		DIMENSION STYLE		SCALE	DESIGN UNITS	THIRD ANGLE PROJECTION	
		mm	INCH	MM/IN		2:1	INCH		
		4 PLACES ± .005	± .005	DRAWN BY DATE		TITLE			
		3 PLACES ± .005	± .005	JENC INAS 2010/04/30		11.1MM [.438"] SR BTS PC, CS, ASSY NO MTG ENDS			
2 PLACES ± 0.13	± .010	CHECKED BY DATE		MOLEX INCORPORATED					
1 PLACE ± 0.3	± .030	CLYORK 2010/04/30		SD-38734-002					
ANGULAR ± 2°		APPROVED BY DATE		SHEET NO.					
		JMACNE IL 2010/05/10		2 OF 2					
DRAFT WHERE APPLICABLE MUST REMAIN WITHIN DIMENSIONS		MATERIAL NO.		THIS DRAWING CONTAINS INFORMATION THAT IS PROPRIETARY TO MOLEX INCORPORATED AND SHOULD NOT BE USED WITHOUT WRITTEN PERMISSION					
		SEE CHART							

9 8 7 6 5 4 3 2 1