



**Distributor of Molex Connector Corporation: Excellent Integrated System Limited**

Datasheet of 0387344916 - Connector Barrier Block Strip 16 Circuit 0.438" (11.12mm)

Contact us: [sales@integrated-circuit.com](mailto:sales@integrated-circuit.com) Website: [www.integrated-circuit.com](http://www.integrated-circuit.com)

---

## **Excellent Integrated System Limited**

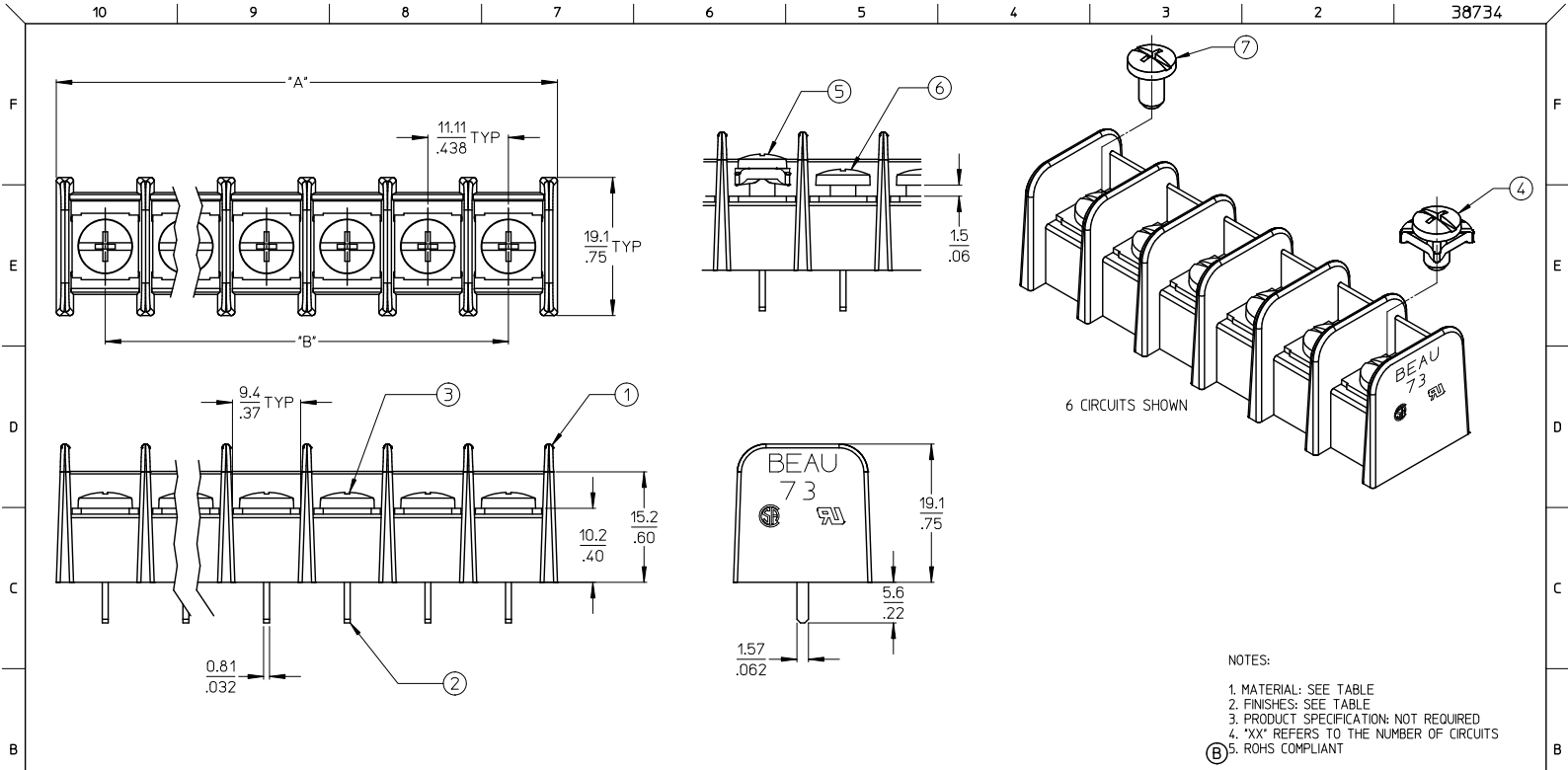
Stocking Distributor

Click to view price, real time Inventory, Delivery & Lifecycle Information:

[Molex Connector Corporation](#)  
[0387344916](#)

For any questions, you can email us directly:

[sales@integrated-circuit.com](mailto:sales@integrated-circuit.com)



- NOTES:
1. MATERIAL: SEE TABLE
  2. FINISHES: SEE TABLE
  3. PRODUCT SPECIFICATION: NOT REQUIRED
  4. "XX" REFERS TO THE NUMBER OF CIRCUITS
  5. ROHS COMPLIANT

ITEM	QTY.	DESCRIPTION	MATERIAL	FINISH	REV	DESCRIPTION	QUALITY SYMBOLS	GENERAL TOLERANCES (UNLESS SPECIFIED)	DIMENSION STYLE	SCALE	DESIGN UNITS	THIRD ANGLE PROJECTION
7	XX	#6-32 SCREW (OPT -49)	BRASS	NICKEL PLATE					MM/IN	2:1	INCH	
6	XX	#6-32 SCREW WRD (OPT -47)	STEEL	ZN, CLEAR CHROMATE								
5	XX	#6-32 SCR W/WASH (OPT -47,-50)	STEEL	ZN, CLEAR CHROMATE								
4	XX	#6-32 SCREW W/ WASHER (OPT -50)	STEEL	ZN, CLEAR CHROMATE								
3	XX	#6-32 SCREW (STD)	STEEL	ZN, CLEAR CHROMATE								
2	XX	#6-32 TERMINAL (STD)	BRASS	TIN PLATE (B)								
1	1	INSULATOR	POLYESTER (PBT)	BLACK								

1b\_frame\_B\_P\_ME\_T Rev. E 2006/04/15

ITEM	QTY.	DESCRIPTION	MATERIAL	FINISH	REV	DESCRIPTION	QUALITY SYMBOLS	GENERAL TOLERANCES (UNLESS SPECIFIED)	DIMENSION STYLE	SCALE	DESIGN UNITS	THIRD ANGLE PROJECTION
7	XX	#6-32 SCREW (OPT -49)	BRASS	NICKEL PLATE					MM/IN	2:1	INCH	
6	XX	#6-32 SCREW WRD (OPT -47)	STEEL	ZN, CLEAR CHROMATE								
5	XX	#6-32 SCR W/WASH (OPT -47,-50)	STEEL	ZN, CLEAR CHROMATE								
4	XX	#6-32 SCREW W/ WASHER (OPT -50)	STEEL	ZN, CLEAR CHROMATE								
3	XX	#6-32 SCREW (STD)	STEEL	ZN, CLEAR CHROMATE								
2	XX	#6-32 TERMINAL (STD)	BRASS	TIN PLATE (B)								
1	1	INSULATOR	POLYESTER (PBT)	BLACK								

1b\_frame\_B\_P\_ME\_T Rev. E 2006/04/15

10 9 8 7 6 5 4 3 2 38734

NO. OF CIRCUITS "XX"	DIM. "A"		DIM. "B"		ASSEMBLY MATERIAL NO. (-C STD)	ASSEMBLY MATERIAL NO. (-C-50 OPT)	ASSEMBLY MATERIAL NO. (-C-49 OPT)	ASSEMBLY MATERIAL NO. (-C-47 OPT)	ASSEMBLY MATERIAL NO. (-C-47-50 OPT)
	mm	INCH	mm	INCH					
2	24.6	0.97	11.11	0.438	387344102	387344902	387344502	387345302	387345702
3	35.8	1.41	22.23	0.875	387344103	387344903	387344503	387345303	387345703
4	46.9	1.85	33.34	1.313	387344104	387344904	387344504	387345304	387345704
5	58.0	2.28	44.45	1.750	387344105	387344905	387344505	387345305	387345705
6	69.1	2.72	55.56	2.188	387344106	387344906	387344506	387345306	387345706
7	80.2	3.16	66.68	2.625	387344107	387344907	387344507	387345307	387345707
8	91.3	3.60	77.79	3.063	387344108	387344908	387344508	387345308	387345708
9	102.4	4.03	88.90	3.500	387344109	387344909	387344509	387345309	387345709
10	113.5	4.47	100.01	3.938	387344110	387344910	387344510	387345310	387345710
11	124.7	4.91	111.13	4.375	387344111	387344911	387344511	387345311	387345711
12	135.8	5.35	122.24	4.813	387344112	387344912	387344512	387345312	387345712
13	146.9	5.78	133.35	5.250	387344113	387344913	387344513	387345313	387345713
14	158.0	6.22	144.46	5.688	387344114	387344914	387344514	387345314	387345714
15	169.1	6.66	155.58	6.125	387344115	387344915	387344515	387345315	387345715
16	180.2	7.10	166.69	6.563	387344116	387344916	387344516	387345316	387345716
17	191.3	7.53	177.80	7.000	387344117	387344917	387344517	387345317	387345717
18	202.4	7.97	188.91	7.438	387344118	387344918	387344518	387345318	387345718
19	213.6	8.41	200.03	7.875	387344119	387344919	387344519	387345319	387345719
20	224.7	8.85	211.14	8.313	387344120	387344920	387344520	387345320	387345720

SEE SHEET ONE EC NO: WNA2010-0653 DRAWN: JENC INAS 2010/04/30 CHECKED: CLYORK 2010/04/30 APPR: JMACNE IL 2010/05/10	QUALITY SYMBOLS ▽=0 ▽=0	GENERAL TOLERANCES (UNLESS SPECIFIED)		DIMENSION STYLE		SCALE	DESIGN UNITS	THIRD ANGLE PROJECTION	
		mm	INCH	MM/IN		2:1	INCH		
		4 PLACES ± .005	± .005	DRAWN BY JENC INAS DATE 2010/04/30		TITLE 11.11MM [.438"] SR BTS PC, CS, ASSY NO MTG ENDS			
		3 PLACES ± .005	± .005	CHECKED BY CLYORK DATE 2010/04/30		MOLEX INCORPORATED			
2 PLACES ± 0.13	± .010	APPROVED BY JMACNE IL DATE 2010/05/10		MATERIAL NO.		DOCUMENT NO.	SHEET NO.		
1 PLACE ± 0.3	± .010	ANGULAR ± 2°		SEE CHART		SD-38734-002	2 OF 2		
DRAFT WHERE APPLICABLE MUST REMAIN WITHIN DIMENSIONS				THIS DRAWING CONTAINS INFORMATION THAT IS PROPRIETARY TO MOLEX INCORPORATED AND SHOULD NOT BE USED WITHOUT WRITTEN PERMISSION					

9 8 7 6 5 4 3 2 1