



**Distributor of Molex Connector Corporation: Excellent Integrated System Limited**  
Datasheet of 0387351003 - Connector Barrier Block Strip 3 Circuit 0.438" (11.12mm)

Contact us: [sales@integrated-circuit.com](mailto:sales@integrated-circuit.com) Website: [www.integrated-circuit.com](http://www.integrated-circuit.com)

---

## **Excellent Integrated System Limited**

Stocking Distributor

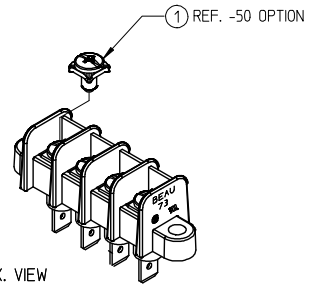
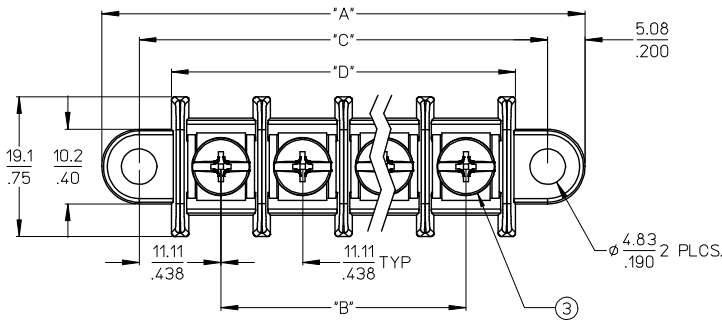
Click to view price, real time Inventory, Delivery & Lifecycle Information:

[Molex Connector Corporation](#)  
[0387351003](#)

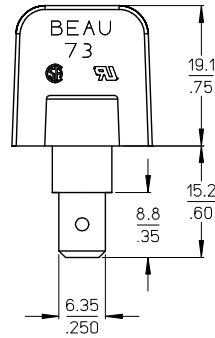
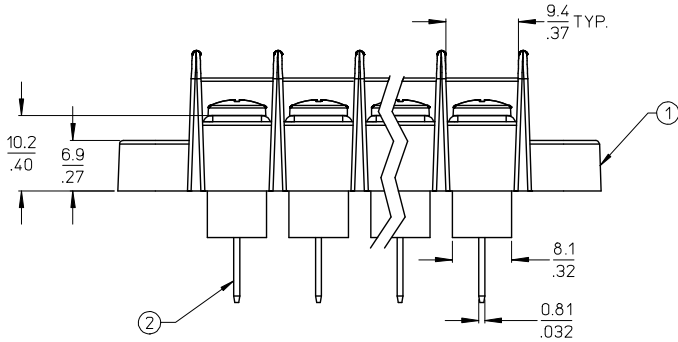
For any questions, you can email us directly:

[sales@integrated-circuit.com](mailto:sales@integrated-circuit.com)

10 9 8 7 6 5 4 3 2 38735



AUX. VIEW  
SCALE 1:1  
4 CIRCUIT SHOWN



NOTES:

1. MATERIAL: SEE TABLE.
2. FINISHES: SEE TABLE.
3. PRODUCT SPECIFICATION: NOT REQUIRED.
4. \*XX\* REFERS TO THE QUANTITY OF CIRCUITS.
5. ROHS COMPLIANT.

4		XX	SCREW AND WASHER, #6-32, PAN HEAD (-50 OPT)	STEEL	ZN, CLEAR CHROMATE	INITIAL RELEASE EC NO: WNA2009-0148 DRAWN: JENCINAS 2008/09/01 CHECKED: CYORK 2008/09/09 APPROV: JMACNEIL 2008/09/10 DESCRIPTION QUALITY SYMBOLS ▽=0 ▽=0 A REV	GENERAL TOLERANCES (UNLESS SPECIFIED) mm INCH 4 PLACES ± --- ± --- 3 PLACES ± --- ± .005 2 PLACES ± 0.13 ± .01 1 PLACE ± 0.3 ± --- ANGULAR ± 2 °		DIMENSION STYLE MM/IN DRAWN BY JENCINAS DATE 2008/08/27 CHECKED BY CYORK DATE 2008/08/28 APPROVED BY JMACNEIL DATE 2008/08/29		SCALE 2:1	DESIGN UNITS INCH	THIRD ANGLE PROJECTION
3		XX	SCREW, #6-32, BIND. HEAD (STD OPT)	STEEL	ZN, CLEAR CHROMATE		DRAFT WHERE APPLICABLE MUST REMAIN WITHIN DIMENSIONS		MATERIAL NO. SEE SHEET 2 DOCUMENT NO. SD-38735-005		TITLE 11.11MM [.438] SR BTS, CS FAST TAB ASY MOLEX INCORPORATED		
2		XX	TERMINAL, QUICK CONNECT	BRASS	TIN PLATE		THIS DRAWING CONTAINS INFORMATION THAT IS PROPRIETARY TO MOLEX INCORPORATED AND SHOULD NOT BE USED WITHOUT WRITTEN PERMISSION		SHEET NO. 1 OF 2				
1		1	CS INSULATOR, SINGLE ROW	POLYESTER (PBT)	BLACK								
ITEM		QTY	DESCRIPTION	MATERIAL	FINISH								

10 9 8 7 6 5 4 3 2 38735

NO. OF CIRCUITS "XX"	DIM. "A"		DIM. "B"		DIM. "C"		DIM. "D"		ASSEMBLY MATERIAL NO. (STD OPTION)	ASSEMBLY MATERIAL NO. (-50 OPTION)
	mm	INCH	mm	INCH	mm	INCH	mm	INCH		
2	43.5	1.71	11.11	0.438	33.34	1.313	24.5	0.97	387351002	387351402
3	54.6	2.15	22.23	0.875	44.45	1.750	35.7	1.40	387351003	387351403
4	65.7	2.59	33.34	1.313	55.56	2.188	46.8	1.84	387351004	387351404
5	76.8	3.03	44.45	1.750	66.68	2.625	57.9	2.28	387351005	387351405
6	87.9	3.46	55.56	2.188	77.79	3.063	69.0	2.72	387351006	387351406
7	99.1	3.90	66.68	2.625	88.90	3.500	80.1	3.15	387351007	387351407
8	110.2	4.34	77.79	3.063	100.01	3.938	91.2	3.59	387351008	387351408
9	121.3	4.78	88.90	3.500	111.13	4.375	102.3	4.03	387351009	387351409
10	132.4	5.21	100.01	3.938	122.24	4.813	113.4	4.47	387351010	387351410
11	143.5	5.65	111.13	4.375	133.35	5.250	124.6	4.90	387351011	387351411
12	154.6	6.09	122.24	4.813	144.46	5.688	135.7	5.34	387351012	387351412
13	165.7	6.53	133.35	5.250	155.58	6.125	146.8	5.78	387351013	387351413
14	176.8	6.96	144.46	5.688	166.69	6.563	157.9	6.22	387351014	387351414
15	188.0	7.40	155.58	6.125	177.80	7.000	169.0	6.65	387351015	387351415
16	199.1	7.84	166.69	6.563	188.91	7.438	180.1	7.09	387351016	387351416
17	210.2	8.28	177.80	7.000	200.03	7.875	191.2	7.53	387351017	387351417
18	221.3	8.71	188.91	7.438	211.14	8.313	202.3	7.97	387351018	387351418
19	232.4	9.15	200.03	7.875	222.25	8.750	213.5	8.40	387351019	387351419
20	243.5	9.59	211.14	8.313	233.36	9.188	224.6	8.84	387351020	387351420
21	254.6	10.03	222.25	8.750	244.48	9.625	235.7	9.28	387351021	387351421
22	265.7	10.46	233.36	9.188	255.59	10.063	246.8	9.72	387351022	387351422
23	276.9	10.90	244.48	9.625	266.70	10.500	257.9	10.15	387351023	387351423
24	288.0	11.34	255.59	10.063	277.81	10.938	269.0	10.59	387351024	387351424
25	299.1	11.78	266.70	10.500	288.93	11.375	280.1	11.03	387351025	387351425
26	310.2	12.21	277.81	10.938	300.04	11.813	291.2	11.47	387351026	387351426
27	321.3	12.65	288.93	11.375	311.15	12.250	302.4	11.90	387351027	387351427
28	332.4	13.09	300.04	11.813	322.26	12.688	313.5	12.34	387351028	387351428
29	343.5	13.53	311.15	12.250	333.38	13.125	324.6	12.78	387351029	387351429
30	354.6	13.96	322.26	12.688	344.49	13.563	335.7	13.22	387351030	387351430

SEE SHEET ONE EC NO: WNA2009-0148 DRAWN: JENC INAS 2008/09/01 CHECKED: CYORK 2008/09/09 APPR: JMACNE IL 2008/09/10 A	QUALITY SYMBOLS ▽=0 ▽=0	GENERAL TOLERANCES (UNLESS SPECIFIED)		DIMENSION STYLE		SCALE	DESIGN UNITS	THIRD ANGLE PROJECTION	
				MM/IN		2:1	INCH		
				DRAWN BY DATE		TITLE			
				CHECKED BY DATE		11.1MM [.438] SR BTS, CS FAST TAB ASY			
		APPROVED BY DATE		MATERIAL NO.		DOCUMENT NO.		SHEET NO.	
		ANGULAR ± 2°		SEE CHART		MOLEX INCORPORATED		2 OF 2	
		DRAFT WHERE APPLICABLE MUST REMAIN WITHIN DIMENSIONS		INCORPORATED AND SHOULD NOT BE USED WITHOUT WRITTEN PERMISSION		SD-38735-005			

9 8 7 6 5 4 3 2 1