



Distributor of Molex Connector Corporation: Excellent Integrated System Limited
Datasheet of 0387406102 - Connector Barrier Block Strip 2 Circuit 0.438" (11.12mm)

Contact us: sales@integrated-circuit.com Website: www.integrated-circuit.com

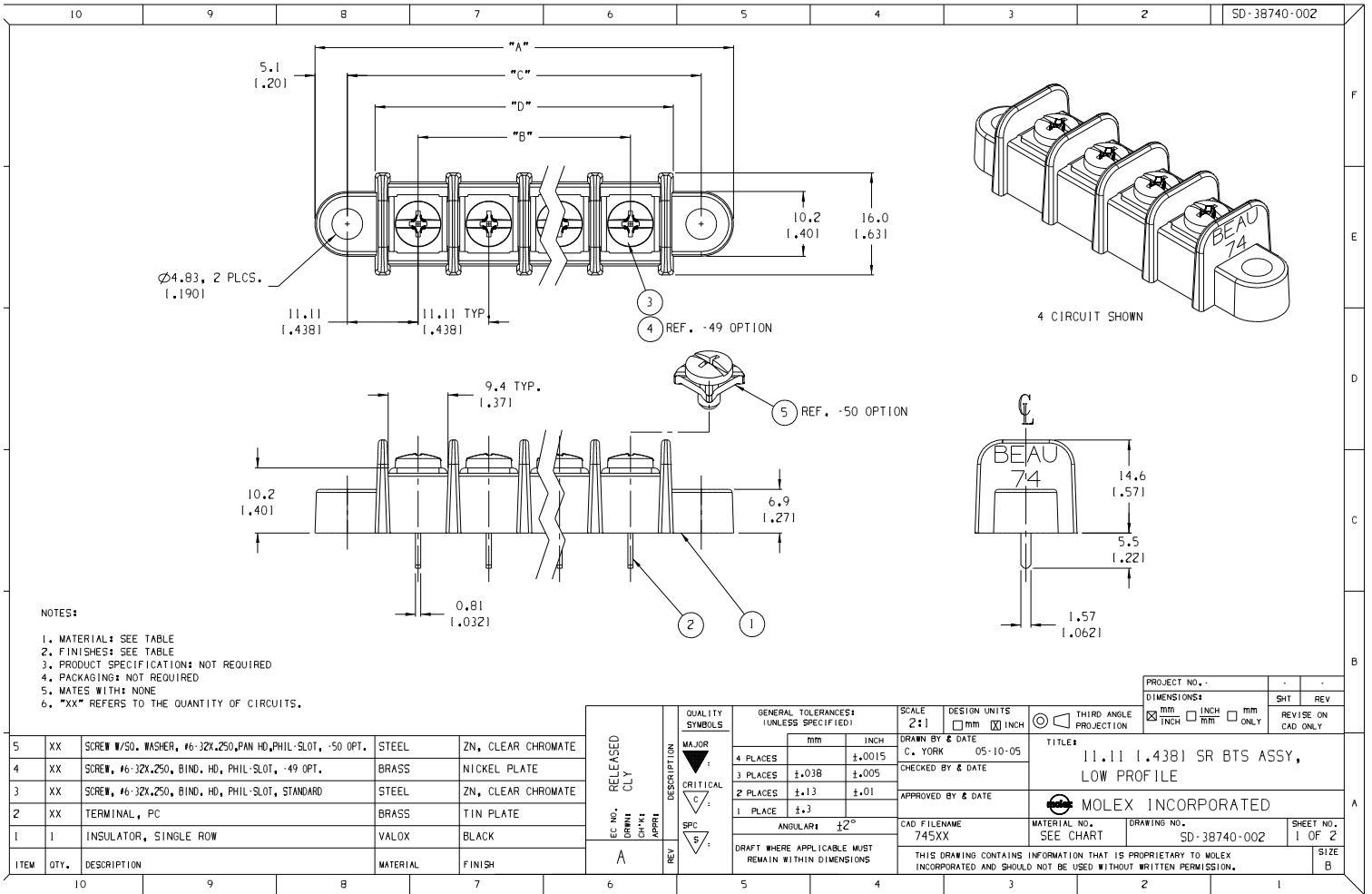
Excellent Integrated System Limited

Stocking Distributor

Click to view price, real time Inventory, Delivery & Lifecycle Information:

[Molex Connector Corporation](#)
[0387406102](#)

For any questions, you can email us directly:
sales@integrated-circuit.com



	10	9	8	7	6	5	4	3	2	SD-38740-002	
F											F
E											E
D											D
C											C
B											B
A											A

# OF CIRC. "XX"	DIM. "A"	DIM. "B"	DIM. "C"	DIM. "D"	ASSEMBLY MATERIAL NO. (STANDARD)	ASSEMBLY MATERIAL NO. (-49 OPTION)	ASSEMBLY MATERIAL NO. (-50 OPTION)	
02	43.5	11.711	11.11 (1.438)	33.34 (1.313)	24.5 (1.971)	387406102	387406702	387407302
03	54.6	(2.15)	22.23 (1.875)	44.45 (1.750)	35.7 (1.401)	387406103	387406703	387407303
04	65.7	(2.59)	33.34 (1.313)	55.56 (2.188)	46.8 (1.841)	387406104	387406704	387407304
05	76.8	(3.03)	44.45 (1.750)	66.68 (2.625)	57.9 (2.281)	387406105	387406705	387407305
06	87.9	(3.46)	55.56 (2.188)	77.79 (3.063)	69.0 (2.721)	387406106	387406706	387407306
07	99.1	(3.90)	66.68 (2.625)	88.90 (3.500)	80.1 (3.151)	387406107	387406707	387407307
08	110.2	(4.34)	77.79 (3.063)	100.01 (3.938)	91.2 (3.591)	387406108	387406708	387407308
09	121.3	(4.78)	88.90 (3.500)	111.13 (4.375)	102.3 (4.031)	387406109	387406709	387407309
10	132.4	(5.21)	100.01 (3.938)	122.24 (4.813)	113.4 (4.471)	387406110	387406710	387407310
11	143.5	(5.65)	111.13 (4.375)	133.35 (5.250)	124.6 (4.901)	387406111	387406711	387407311
12	154.6	(6.09)	122.24 (4.813)	144.46 (5.688)	135.7 (5.341)	387406112	387406712	387407312
13	165.7	(6.53)	133.35 (5.250)	155.58 (6.125)	146.8 (5.781)	387406113	387406713	387407313
14	176.8	(6.96)	144.46 (5.688)	166.69 (6.563)	157.9 (6.221)	387406114	387406714	387407314
15	188.0	(7.40)	155.58 (6.125)	177.80 (7.000)	169.0 (6.651)	387406115	387406715	387407315
16	199.1	(7.84)	166.69 (6.563)	188.91 (7.438)	180.1 (7.091)	387406116	387406716	387407316
17	210.2	(8.28)	177.80 (7.000)	200.03 (7.875)	191.2 (7.531)	387406117	387406717	387407317
18	221.3	(8.71)	188.91 (7.438)	211.14 (8.313)	202.3 (7.971)	387406118	387406718	387407318
19	232.4	(9.15)	200.03 (7.875)	222.25 (8.750)	213.5 (8.401)	387406119	387406719	387407319
20	243.5	(9.59)	211.14 (8.313)	233.36 (9.188)	224.6 (8.841)	387406120	387406720	387407320
21	254.6	(10.03)	222.25 (8.750)	244.48 (9.625)	235.7 (9.281)	387406121	387406721	387407321
22	265.7	(10.46)	233.36 (9.188)	255.59 (10.063)	246.8 (9.721)	387406122	387406722	387407322
23	276.8	(10.90)	244.48 (9.625)	266.70 (10.500)	257.9 (10.151)	387406123	387406723	387407323
24	288.0	(11.34)	255.59 (10.063)	277.81 (10.938)	269.0 (10.591)	387406124	387406724	387407324
25	299.1	(11.78)	266.70 (10.500)	288.93 (11.375)	280.1 (11.031)	387406125	387406725	387407325
26	310.2	(12.21)	277.81 (10.938)	300.04 (11.813)	291.2 (11.471)	387406126	387406726	387407326
27	321.3	(12.65)	288.93 (11.375)	311.15 (12.250)	302.4 (11.901)	387406127	387406727	387407327
28	332.4	(13.09)	300.04 (11.813)	322.26 (12.688)	313.5 (12.341)	387406128	387406728	387407328
29	343.5	(13.53)	311.15 (12.250)	333.38 (13.125)	324.6 (12.781)	387406129	387406729	387407329
30	354.6	(13.96)	322.26 (12.688)	344.49 (13.563)	335.7 (13.221)	387406130	387406730	387407330

QUALITY SYMBOLS MAJOR CRITICAL SPC S	REV	DESCRIPTION	EC NO.	DRAWN	CHK'D	APPR'D
	SEE SHEET 1					
	DRAFT WHERE APPLICABLE MUST REMAIN WITHIN DIMENSIONS					
	THIS DRAWING CONTAINS INFORMATION THAT IS PROPRIETARY TO MOLEX INCORPORATED AND SHOULD NOT BE USED WITHOUT WRITTEN PERMISSION.					

GENERAL TOLERANCES† (UNLESS SPECIFIED)	SCALE	DESIGN UNITS	THIRD ANGLE PROJECTION	PROJECT NO.	SHT	REV
4 PLACES ±.0015 3 PLACES ±.005 2 PLACES ±.01 1 PLACE ±.03	---	<input type="checkbox"/> mm <input checked="" type="checkbox"/> INCH	<input checked="" type="checkbox"/> THIRD ANGLE <input type="checkbox"/> FIRST ANGLE	-	-	-
ANGULAR ±2°	DRAWN BY & DATE C. YORK 05-10-05	CHECKED BY & DATE	TITLE	11.11 (1.438) SR BTS ASSY, LOW PROFILE		
	APPROVED BY & DATE	CAD FILENAME 745XX	MATERIAL NO. SEE CHART	DRAWING NO. SD-38740-002	SHEET NO. 2 OF 2	
		MOLEX INCORPORATED				SIZE B