



Distributor of Molex Connector Corporation: Excellent Integrated System Limited

Datasheet of 0387507506 - Connector Barrier Block Strip 6 Circuit 0.375" (9.53mm)

Contact us: sales@integrated-circuit.com Website: www.integrated-circuit.com

Excellent Integrated System Limited

Stocking Distributor

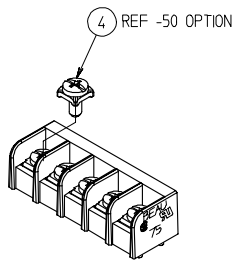
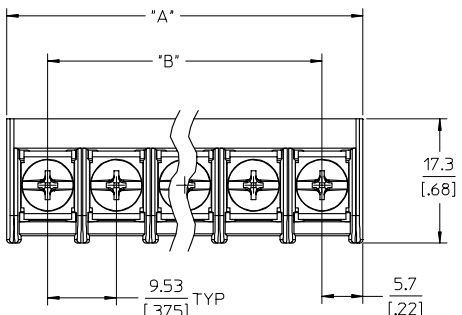
Click to view price, real time Inventory, Delivery & Lifecycle Information:

[Molex Connector Corporation](#)
[0387507506](#)

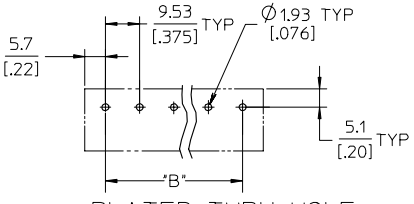
For any questions, you can email us directly:

sales@integrated-circuit.com

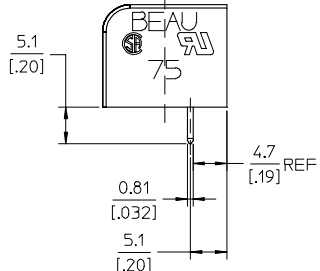
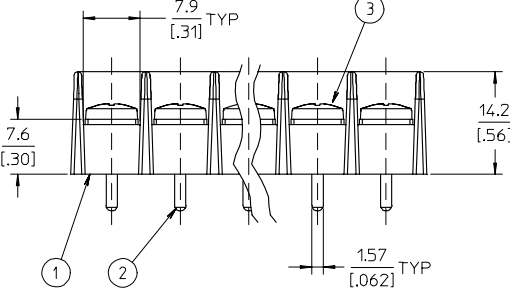
	10	9		8		7	6	5	4	3	2	1
NO. OF CIRCUITS	DIMENSION 'A'		DIMENSION 'B'		MATERIAL NO. -C OPTION	MATERIAL NO. -50 OPTION						
02	20.9	[0.82]	9.53	[.375]	387506302	387507502						
03	30.4	[1.20]	19.05	[.750]	387506303	387507503						
04	39.9	[1.57]	28.58	[1.125]	387506304	387507504						
05	49.5	[1.95]	38.10	[1.500]	387506305	387507505						
06	59.0	[2.32]	47.63	[1.875]	387506306	387507506						
07	68.5	[2.70]	57.15	[2.250]	387506307	387507507						
08	78.0	[3.07]	66.68	[2.625]	387506308	387507508						
09	87.6	[3.45]	76.20	[3.000]	387506309	387507509						
10	97.1	[3.82]	85.73	[3.375]	387506310	387507510						
11	106.6	[4.20]	95.25	[3.750]	387506311	387507511						
12	116.1	[4.57]	104.78	[4.125]	387506312	387507512						
13	125.7	[4.95]	114.30	[4.500]	387506313	387507513						
14	135.2	[5.32]	123.83	[4.875]	387506314	387507514						
15	144.7	[5.70]	133.35	[5.250]	387506315	387507515						
16	154.2	[6.07]	142.88	[5.625]	387506316	387507516						
17	163.8	[6.45]	152.40	[6.000]	387506317	387507517						
18	173.3	[6.82]	161.93	[6.375]	387506318	387507518						
19	182.8	[7.20]	171.45	[6.750]	387506319	387507519						
20	192.3	[7.57]	180.98	[7.125]	387506320	387507520						
21	201.9	[7.95]	190.50	[7.500]	387506321	387507521						
22	211.4	[8.32]	200.03	[7.875]	387506322	387507522						
23	220.9	[8.70]	209.55	[8.250]	387506323	387507523						
24	230.4	[9.07]	219.08	[8.625]	387506324	387507524						
25	240.0	[9.45]	228.60	[9.000]	387506325	387507525						
26	249.5	[9.82]	238.13	[9.375]	387506326	387507526						



ISOMETRIC VIEW
 SCALE 1:1
 (5 CIRCUIT SHOWN)



PLATED THRU-HOLE PATTERN
 SCALE 1:1



- NOTES:
1. MATERIAL: SEE TABLE
 2. FINISHES: SEE TABLE
 3. PRODUCT SPECIFICATION: NOT REQUIRED
 4. INCH DIMENSIONS ARE SHOWN IN BRACKETS [XXX].
 5. "XX" REFERS TO QUANTITY OF CIRCUITS.
 6. PACKAGING: NOT REQUIRED
 7. MATES WITH: NOT APPLICABLE

ITEM	QTY	DESCRIPTION	MATERIAL	FINISH
4	XX	SCREW W/SO WASHER, #6-32X.250, PHIL.-SLOT, -50	STEEL	ZINC CHROMATE
3	XX	SCREW, #6-32X.250, BHD, PHIL.-SLOT, STD	STEEL	ZINC CHROMATE
2	XX	TERMINAL, PC	BRASS	TIN PLATE
1	1	INSULATOR	THERMOPLASTIC	BLACK

INITIAL RELEASE EC NO: ETC2006-0277 DRAINVILLE 2006/02/07 CHYCHROROSS APPROVED 2006/02/09	QUALITY SYMBOLS ▽=0 ▽=0	GENERAL TOLERANCES (UNLESS SPECIFIED)		DIMENSION STYLE MM/IN	SCALE 2:1	DESIGN UNITS INCH	THIRD ANGLE PROJECTION
		4 PLACES ± --- ± .0015 3 PLACES ± 0.038 ± .005 2 PLACES ± 0.13 ± .01 1 PLACE ± 0.3 ± --- ANGULAR ± 2°	DRAWN BY EHILE DATE 2006/02/06	CHECKED BY RDEROSS DATE 2006/02/06	APPROVED BY RDEROSS DATE 2006/02/06	TITLE 9.53MM [.375] SR BTS, PC, CS ASSY, -C, -50	MATERIAL NO. SEE CHART
DRAFT WHERE APPLICABLE MUST REMAIN WITHIN DIMENSIONS		THIS DRAWING CONTAINS INFORMATION THAT IS PROPRIETARY TO MOLEX INCORPORATED AND SHOULD NOT BE USED WITHOUT WRITTEN PERMISSION					