

## Excellent Integrated System Limited

Stocking Distributor

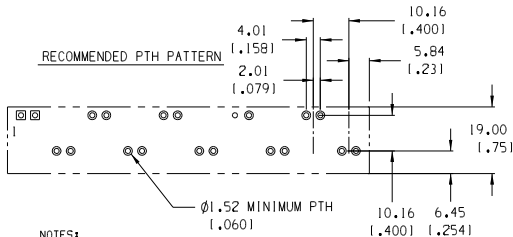
Click to view price, real time Inventory, Delivery & Lifecycle Information:

[Molex Connector Corporation](#)  
[0399100603](#)

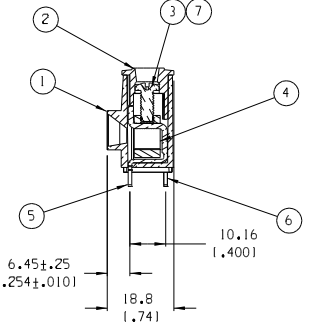
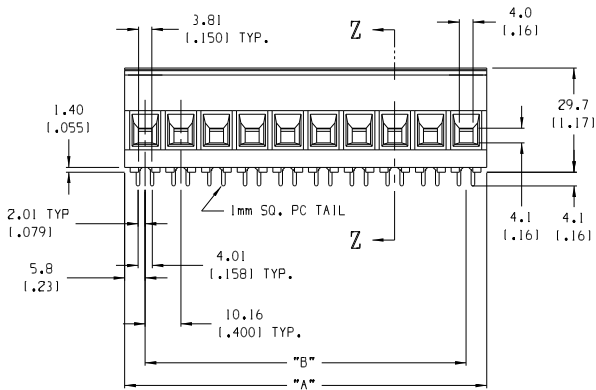
For any questions, you can email us directly:

[sales@integrated-circuit.com](mailto:sales@integrated-circuit.com)

SD-39910-002



- NOTES:
1. MATERIAL: SEE TABLE
  2. FINISHES: SEE TABLE
  3. PRODUCT SPECIFICATION: NOT REQUIRED
  4. PACKAGING: NOT REQUIRED
  5. MATES WITH: NONE
  6. PART IS DESIGNED TO MEET UL 1059 CLASS C 600V, 40A
  7. STAGGERED PC TAIL POSITION ON ALTERNATE CIRCUITS
  8. "XX" REFERS TO NUMBER OF CIRCUITS
  9. FOR OPTIONAL IMPRINTING, REFER TO SD-38120-005



ITEM	QTY.	DESCRIPTION	MATERIAL	FINISH
7	XX	SCREW, M4, #2 POZI-SLOT, ST. STEEL	ST. STEEL	TIN
6	A/R	REAR TERMINAL	COPPER	TIN
5	A/R	FRONT TERMINAL	COPPER	TIN
4	XX	CAGE	BRASS	NICKEL
3	XX	SCREW, M4, #2 POZI-SLOT, BRONZE	BRONZE	TIN
2	I	COVER	THERMOPLASTIC	BLACK
1	I	BODY	THERMOPLASTIC	BLACK

ECN# 4261	DESCRIPTION	QUALITY SYMBOLS
DRWING RK 10-7-05	MAJOR	MINOR
CHK'S	CRITICAL	
APPROV		
D	REV	

GENERAL TOLERANCES: (UNLESS SPECIFIED)		SCALE 1:1	DESIGN UNITS
4 PLACES	±.0015	<input type="checkbox"/> mm <input checked="" type="checkbox"/> INCH	THIRD ANGLE PROJECTION
3 PLACES	±.038		
2 PLACES	±.13		
1 PLACE	±.3		
ANGULAR: ±2°		CAD FILENAME 9135XX	MATERIAL NO. SEE CHART
DRAFT WHERE APPLICABLE MUST REMAIN WITHIN DIMENSIONS		THIS DRAWING CONTAINS INFORMATION THAT IS PROPRIETARY TO MOLEX INCORPORATED AND SHOULD NOT BE USED WITHOUT WRITTEN PERMISSION.	

PROJECT NO.	-	-
DIMENSIONS:	<input checked="" type="checkbox"/> mm <input type="checkbox"/> INCH	<input type="checkbox"/> mm ONLY
SHT	REV	REVISE ON CAD ONLY
TITLE: SR BTS B AWG ASSY, 600V 40 A		
MOLEX INCORPORATED		
DRAWING NO.	SD-39910-002	SHEET NO. 1 OF 2
SIZE	B	

										SD-39910-002		
MATERIAL	MATERIAL NUMBER	MATERIAL NUMBER	MATERIAL NUMBER	MATERIAL NUMBER	MATERIAL NUMBER	MATERIAL NUMBER	MATERIAL NUMBER	OPTIONAL SLOTTED SCREW W/10A IMPRINT	OPTIONAL SLOTTED SCREW W/1A IMPRINT	NUMBER OF CIRCUITS	"A" DIM.	"B" DIM.
399100302	399110302	399140302	399100602	399100502	399110502	399140502	2	21.84	1.86	110.16	1.400	
399100303	399110303	399140303	399100603	399100503	399110503	399140503	3	32.00	1.26	120.32	1.800	
399100304	399110304	399140304	399100604	399100504	399110504	399140504	4	42.16	1.66	130.48	1.200	
399100305	399110305	399140305	399100605	399100505	399110505	399140505	5	52.32	2.06	140.64	1.600	
399100306	399110306	399140306	399100606	399100506	399110506	399140506	6	62.48	2.46	150.80	2.000	
399100307	399110307	399140307	399100607	399100507	399110507	399140507	7	72.64	2.86	160.96	2.400	
399100308	399110308	399140308	399100608	399100508	399110508	399140508	8	82.80	3.26	171.12	2.800	
399100309	399110309	399140309	399100609	399100509	399110509	399140509	9	92.96	3.66	181.28	3.200	
399100310	399110310	399140310	399100610	399100510	399110510	399140510	10	103.12	4.06	191.44	3.600	
399100311	399110311	399140311	399100611	399100511	399110511	399140511	11	113.28	4.46	201.60	4.000	
399100312	399110312	399140312	399100612	399100512	399110512	399140512	12	123.44	4.86	211.76	4.400	
399100313	399110313	399140313	399100613	399100513	399110513	399140513	13	133.60	5.26	221.92	4.800	
399100314	399110314	399140314	399100614	399100514	399110514	399140514	14	143.76	5.66	232.08	5.200	

EC NO. SEE SHEET DRAW ONE CHECK APPR REV	QUALITY SYMBOLS MAJOR CRITICAL SPC	GENERAL TOLERANCES* (UNLESS SPECIFIED) 4 PLACES ±.0015 3 PLACES ±.038 2 PLACES ±.13 1 PLACE ±.3 ANGULAR* 12° DRAFT WHERE APPLICABLE MUST REMAIN WITHIN DIMENSIONS	SCALE N/A	DESIGN UNITS <input type="checkbox"/> mm <input checked="" type="checkbox"/> INCH	THIRD ANGLE PROJECTION	PROJECT NO. -	SHT	REV		
			DRAWN BY & DATE J. FARMER 08-10-04		CHECKED BY & DATE R. STONE 08-10-04		DIMENSIONS* <input checked="" type="checkbox"/> mm <input type="checkbox"/> INCH <input type="checkbox"/> mm ONLY			
			APPROVED BY & DATE GHR 08-10-04		CAD FILENAME 9135XX.PRT		MATERIAL NO. SEE CHART		DRAWING NO. SD-39910-002	
			THIS DRAWING CONTAINS INFORMATION THAT IS PROPRIETARY TO MOLEX INCORPORATED AND SHOULD NOT BE USED WITHOUT WRITTEN PERMISSION.				TITLE SR BTS 8 AWG ASSY, 600V 40 A		SHEET NO. 2 OF 2	