

Excellent Integrated System Limited

Stocking Distributor

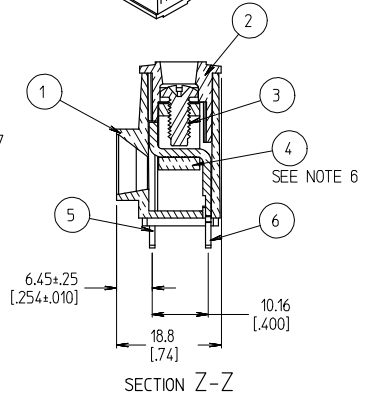
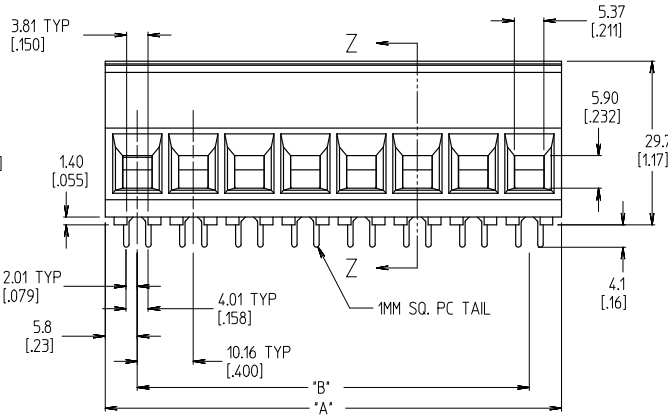
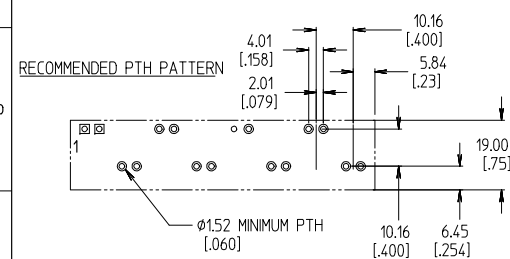
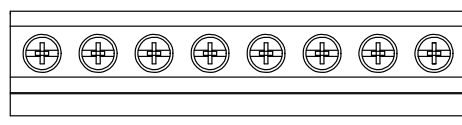
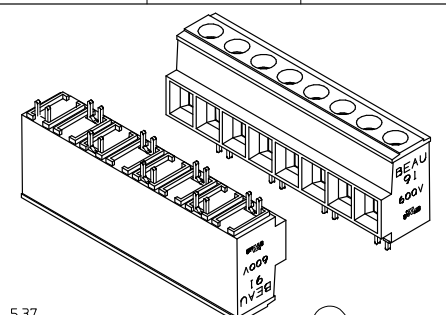
Click to view price, real time Inventory, Delivery & Lifecycle Information:

[Molex Connector Corporation](#)
[0399100912](#)

For any questions, you can email us directly:

sales@integrated-circuit.com

MATERIAL NO. W/ CAGES CLOSED	NUMBER OF CIRCUITS	"A" DIM.		"B" DIM.	
-	02	21.8	[.86]	10.16	[.400]
-	03	32.0	[1.26]	20.32	[.800]
-	04	42.2	[1.66]	30.48	[1.200]
-	05	52.3	[2.06]	40.64	[1.600]
-	06	62.5	[2.46]	50.80	[2.000]
-	07	72.6	[2.86]	60.96	[2.400]
-	08	82.8	[3.26]	71.12	[2.800]
-	09	93.0	[3.66]	81.28	[3.200]
399100910	10	103.1	[4.06]	91.44	[3.600]
-	11	113.3	[4.46]	101.60	[4.000]
399100912	12	123.4	[4.86]	111.76	[4.400]
-	13	133.6	[5.26]	121.92	[4.800]
-	14	143.8	[5.66]	132.08	[5.200]



- NOTES:
1. MATERIAL: SEE TABLE
 2. FINISHES: SEE TABLE
 3. INCH DIMS ARE SHOWN IN BRACKETS (XXX).
 4. DESIGNED TO MEET UL 1059 CLASS C 600 VOLTS
 5. "XX" REFERS TO THE NUMBER OF CIRCUIT POSITIONS.
 6. SCREWS ARE DRIVEN DOWN FULLY TO CLOSE CAGE CLAMPS.
 7. ASSEMBLY IS ROHS COMPLIANT BY EXEMPTION. COMPONENTS MARKED WITH AN ASTERISK (*) ARE ROHS COMPLIANT BY EXEMPTION. ALL OTHERS ARE ROHS COMPLIANT.

ITEM	QTY.	DESCRIPTION	MATERIAL	FINISH
6	A/R	REAR TERMINAL	COPPER	TIN PLATE
5	A/R	FRONT TERMINAL	COPPER	TIN PLATE
4	XX	CAGE CLAMP (*)	BRASS	NICKEL PLATE
3	XX	SCREW, M4, #2 POZI-SLOT	BRONZE	TIN PLATED
2	1	COVER	PBT	BLACK
1	1	BODY	PBT	BLACK

INITIAL RELEASE EC NO: ETC/2007-0418 DRINKLYORK 2007/05/15 CHKD: MACNEIL 2007/05/15 APPR: MACNEIL 2007/05/15 A	QUALITY SYMBOLS ▽=0 ▽=0	GENERAL TOLERANCES (UNLESS SPECIFIED)		DIMENSION STYLE MM/IN	SCALE 3:2	DESIGN UNITS INCH	THIRD ANGLE PROJECTION	
		4 PLACES ±.005 ±.005	3 PLACES ±.005 ±.005	DRAWN BY C. YORK	DATE 2007/05/11	TITLE 10.16MM [.400"] SR BTS 6 AWG ASSY, 60 AMP, 600V W/ CAGES CLOSED		
		2 PLACES ±0.13 ±.01	1 PLACE ±0.3 ±.01	CHECKED BY J. MACNEIL	DATE 2007/05/11	APPROVED BY J. MACNEIL		
		ANGULAR ± 2 °		MATERIAL NO. SEE CHART	DATE 2007/05/11	DOCUMENT NO. SD-39910-003	SHEET NO. 1 OF 1	

DRAFT WHERE APPLICABLE MUST REMAIN WITHIN DIMENSIONS

SIZE B THIS DRAWING CONTAINS INFORMATION THAT IS PROPRIETARY TO MOLEX INCORPORATED AND SHOULD NOT BE USED WITHOUT WRITTEN PERMISSION

ib_frame_B_P_ME_T Rev. D 2004/04/02