

Excellent Integrated System Limited

Stocking Distributor

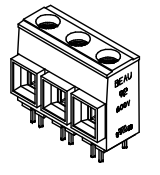
Click to view price, real time Inventory, Delivery & Lifecycle Information:

[Molex Connector Corporation](#)
[0399200507](#)

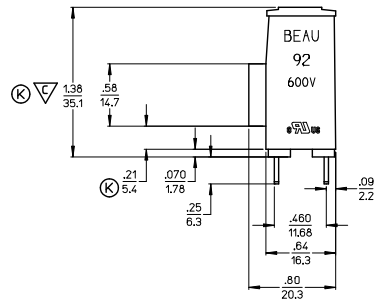
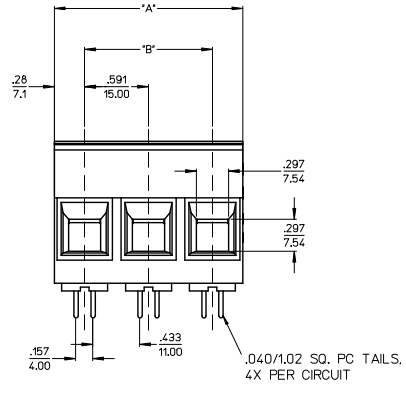
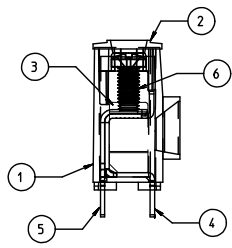
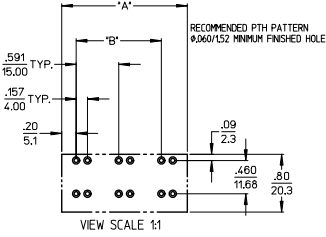
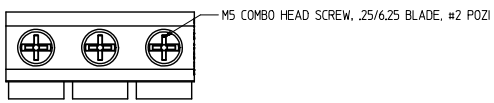
For any questions, you can email us directly:

sales@integrated-circuit.com

MATERIAL NO.	ENGINEERING NUMBER	NUMBER OF CIRCUITS	DIM 'A'	DIM 'B'
-56 OPTION			.010/.13	
399200502	920502-56	02	1.150/29.21	.591/15.01
399200503	920503-56	03	1.740/44.20	1.181/30.00
399200504	920504-56	04	2.330/59.16	1.772/45.01
399200505	920505-56	05	2.920/74.17	2.362/59.99
399200506	920506-56	06	3.510/89.15	2.953/75.01
399200507	920507-56	07	4.100/104.14	3.543/89.99
399200508	920508-56	08	4.690/119.13	4.134/105.00
399200509	920509-56	09	5.280/134.11	4.724/119.99
399200510	920510-56	10	5.870/149.10	5.315/135.00
399200511	920511-56	11	6.470/164.43	5.906/150.01
399200512	920512-56	12	7.060/179.32	6.496/165.00



ACTUAL SIZE



NOTES:
 1. DESIGNED TO MEET NEC & UL 1059 CLASS C 600 VOLTS
 2. "XX" REFERS TO THE NUMBER OF CIRCUIT POSITIONS.
 3. ROHS COMPLIANT BY EXEMPTION. *

ITEM	QTY.	DESCRIPTION	MATERIAL	FINISH
6	XX	SCREW, M5, #2 POZI-SLOT, ST. STEEL	S.S.	TIN
5	XX	TERMINAL	COPPER	TIN
4	XX	TERMINAL	COPPER	TIN
3	XX	CAGE *	BRASS	NICKEL
2	1	COVER	THERMOPLASTIC	BLACK
1	1	BODY	THERMOPLASTIC	BLACK

UPDATE DIM. ADD. CTO. DIM. EC NO: IPG20/03-1681 DRW: JENCINAS 2013/09/17 CHKD: MALNETL 2013/09/17 APPR: MALNETL 2013/09/24 K DESCRIPTION REV	QUALITY SYMBOLS	GENERAL TOLERANCES (UNLESS SPECIFIED)	DIMENSION STYLE	SCALE	DESIGN UNITS	THIRD ANGLE PROJECTION
	▽=0	4 PLACES ±.002	IN/MM	4:1	INCH	
	▽=1	3 PLACES ±0.003 ±.005				
		2 PLACES ±0.13 ±.01				
		1 PLACE ±0.3 ±.1				
		ANGULAR ±1/2°				
		DRAFT WHERE APPLICABLE MUST REMAIN WITHIN DIMENSIONS				
			MATERIAL NO.	DOCUMENT NO.	MOLEX INCORPORATED	
			SEE CHART	SD-39920-005	SR, BTS, #3AWG 85A, 600V	
			THIS DRAWING CONTAINS INFORMATION THAT IS PROPRIETARY TO MOLEX INCORPORATED AND SHOULD NOT BE USED WITHOUT WRITTEN PERMISSION			