

## Excellent Integrated System Limited

Stocking Distributor

Click to view price, real time Inventory, Delivery & Lifecycle Information:

[Molex Connector Corporation](#)  
[0399200610](#)

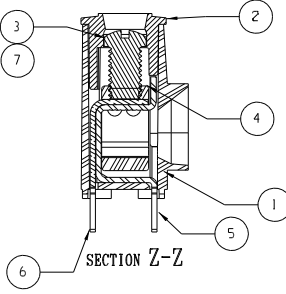
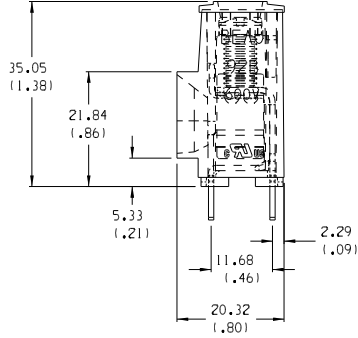
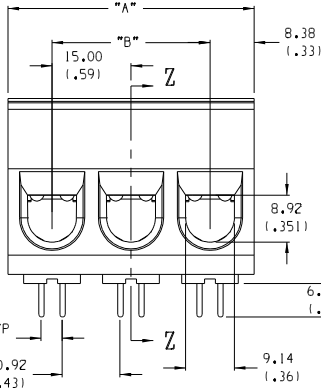
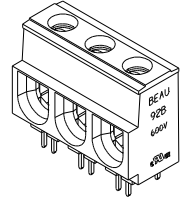
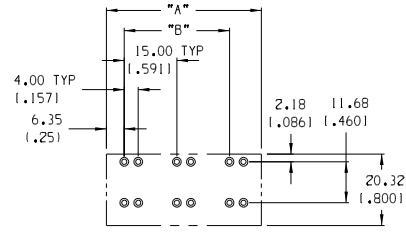
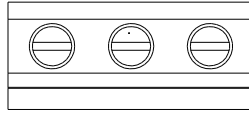
For any questions, you can email us directly:

[sales@integrated-circuit.com](mailto:sales@integrated-circuit.com)

SD-39920-006

LENGTH TABLE

MATERIAL NO. (STANDARD)	MATERIAL NO. (1-56 OPT.)	NO. OF CIRCUITS	"B"	"A"
399200302	399200602	02	15.0 (1.591)	32 (1.251)
399200303	399200603	03	30.0 (1.181)	47 (1.841)
399200304	399200604	04	45.0 (1.772)	62 (2.431)
399200305	399200605	05	60.0 (2.362)	77 (3.021)
399200306	399200606	06	75.0 (2.952)	92 (3.611)
399200307	399200607	07	90.0 (3.543)	107 (4.201)
399200308	399200608	08	105.0 (4.134)	122 (4.791)
399200309	399200609	09	120.0 (4.724)	137 (5.381)
399200310	399200610	10	135.0 (5.315)	152 (5.971)
399200311	399200611	11	150.0 (5.906)	167 (6.571)
399200312	399200612	12	165.0 (6.496)	182 (7.161)



- NOTES:
- MATERIAL: SEE TABLE.
  - FINISHES: SEE TABLE.
  - PRODUCT SPECIFICATION: NOT REQUIRED.
  - PACKAGING: NOT REQUIRED.
  - MATES WITH: NONE.
  - ALL FEATURES ARE TYPICAL UNLESS OTHERWISE NOTED.
  - "XX" REFERS TO THE NUMBER OF CIRCUIT POSITIONS
  - DESIGNED TO MEET NEC & UL 1059 CLASS C 600 VOLTS
  - MULTIPLE TAIL DESIGN FOR LOWER PCB CURRENT DENSITIES
  - PROVEN PRESSURE CLAMP STYLE CONNECTION
  - AVAILABLE IN VARIOUS LENGTHS
  - WINDOW ACCEPTS 133/23 STRANDED #2 AWG, #3 AWG AND 19 STRAND #1 AWG

ITEM	QTY.	DESCRIPTION	MATERIAL	FINISH
7		"XX" SCREW, 1/4-28, SLOTTED, ST. STEEL	STAINLESS STEEL	TIN
6		"XX" OUTER TERMINAL	COPPER	TIN
5		"XX" INNER TERMINAL	COPPER	TIN
4		"XX" CAGE	BRASS	NICKEL
3		"XX" SCREW, 1/4-28, SLOTTED, BRONZE	BRONZE	TIN
2	1	COVER	THERMOPLASTIC	BLACK
1	1	BODY	THERMOPLASTIC	BLACK

EC NO. 4261 DRWG. CY 10-7-05 CHK'D BY APPR'D REV	QUALITY SYMBOLS MAJOR CRITICAL	GENERAL TOLERANCES* (UNLESS SPECIFIED) 4 PLACES ±.0015 3 PLACES ±.038 ±.005 2 PLACES ±.13 ±.01 1 PLACE ±.3	SCALE 1.5:1 DESIGN UNITS AMP DRAWN BY & DATE 4/11/02 CHECKED BY & DATE GHR 6/11/02 APPROVED BY & DATE L.ROTHAUS 6/11/02	DIMENSIONS: <input checked="" type="checkbox"/> mm <input type="checkbox"/> INCH <input type="checkbox"/> mm ONLY	THIRD ANGLE PROJECTION TITLE: SR, BTS, #1-#8 AWG, 600V	SHEET REV 1 OF 1
		ANSULAR: ±2°	CAD FILENAME 92B05XX	MATERIAL NO. SEE CHART	DRAWING NO. SD-39920-006	SHEET NO. 1 OF 1
		DRAFT WHERE APPLICABLE MUST REMAIN WITHIN DIMENSIONS	THIS DRAWING CONTAINS INFORMATION THAT IS PROPRIETARY TO MOLEX INCORPORATED AND SHOULD NOT BE USED WITHOUT WRITTEN PERMISSION.			SIZE B
		MOLEX INCORPORATED				