

## Excellent Integrated System Limited

Stocking Distributor

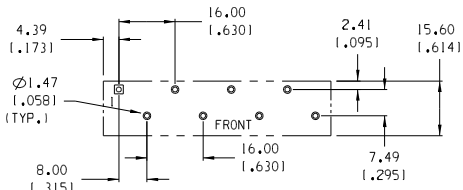
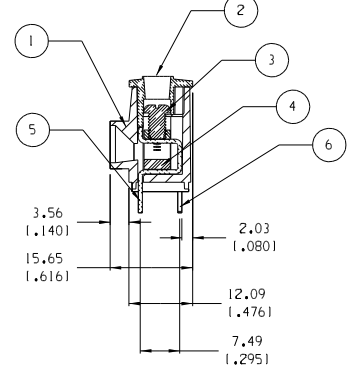
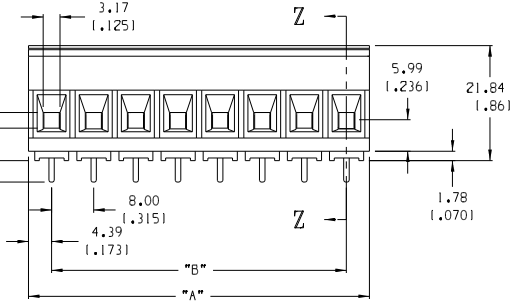
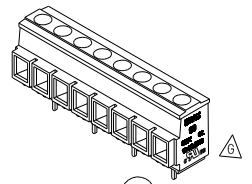
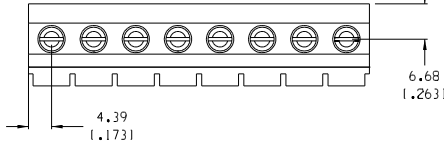
Click to view price, real time Inventory, Delivery & Lifecycle Information:

[Molex Connector Corporation](#)  
[0399600112](#)

For any questions, you can email us directly:

[sales@integrated-circuit.com](mailto:sales@integrated-circuit.com)

MATERIAL NO.	NUMBER OF CIRCUITS "XX"	DIM. "A"		DIM. "B"	
39960-0103	03	24.9	1.981	16.00	1.6301
39960-0104	04	32.9	1.301	24.00	1.9451
39960-0105	05	40.9	1.611	32.00	1.2601
39960-0106	06	48.9	1.931	40.00	1.5751
39960-0107	07	56.9	1.241	48.00	1.8901
39960-0108	08	64.9	1.256	56.00	1.2051
39960-0109	09	72.9	1.2871	64.00	1.5201
39960-0110	10	80.9	1.3191	72.00	1.8351
39960-0111	11	88.9	1.3501	80.00	1.1501
39960-0112	12	96.9	1.3821	88.00	1.34651



PTH PATTERN

NOTES:

1. MATERIAL: SEE TABLE
2. FINISHES: SEE TABLE
3. PRODUCT SPECIFICATION: NOT REQUIRED
4. PACKAGING: NOT REQUIRED
5. MATES WITH: NONE
6. ALL CREEP DISTANCES FOR UL 1059, CLASS C, 600V GENERAL INDUSTRIAL.
7. FOR USE WITH #22-#10 AWG SOLID AND STRANDED WIRES.
8. TORQUE RATING IS 7 IN-LB.
9. "XX" REFERS TO THE NUMBER OF CIRCUITS.

ITEM	QTY.	DESCRIPTION	MATERIAL	FINISH
6	XX/2	REAR TERMINAL	BRASS	TIN
5	XX/2	FRONT TERMINAL	BRASS	TIN
4	XX	CAGE	BRASS	NICKEL
3	XX	SCREW, M3.5 X 0.6	BRONZE	TIN
2	1	COVER	THERMOPLASTIC	BLACK
1	1	BODY	THERMOPLASTIC	BLACK

ECN NO. ECN 3920	DATE 04/12/04	BY JF
REV	DESCRIPTION	QUALITY SYMBOLS
G		MAJOR
		CRITICAL

GENERAL TOLERANCES# (UNLESS SPECIFIED)	
PLACES	TOLERANCE
4 PLACES	±.0015
3 PLACES	±.038
2 PLACES	±.13
1 PLACE	±.3

SCALE	DESIGN UNITS
3:2	<input type="checkbox"/> mm <input checked="" type="checkbox"/> INCH
DRAWN BY & DATE	
OHR 3-19-02	
CHECKED BY & DATE	
A. PLAZA 6-18-02	
APPROVED BY & DATE	
L. ROTHHAUS 6-18-02	
CAD FILENAME	
9605-XX	

DIMENSIONS#	
mm	INCH
<input checked="" type="checkbox"/>	<input type="checkbox"/>
<input type="checkbox"/>	<input type="checkbox"/>
THIRD ANGLE PROJECTION	
TITLE: SR BTS, PCKT, #10 AWG, ASSY	
600V, 30A	

MOLEX INCORPORATED	
MATERIAL NO. SEE CHART	DRAWING NO. SD-39960-002
THIS DRAWING CONTAINS INFORMATION THAT IS PROPRIETARY TO MOLEX INCORPORATED AND SHOULD NOT BE USED WITHOUT WRITTEN PERMISSION.	
SHEET NO. 1 OF 1	SIZE B