

## Excellent Integrated System Limited

Stocking Distributor

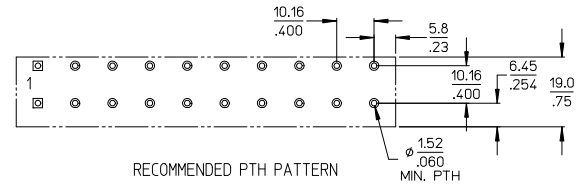
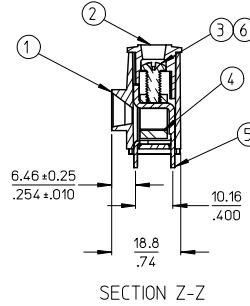
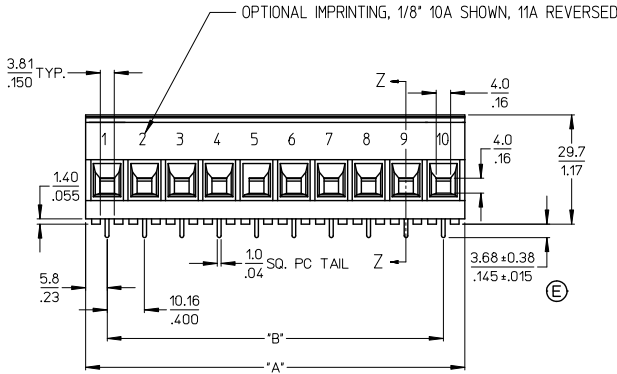
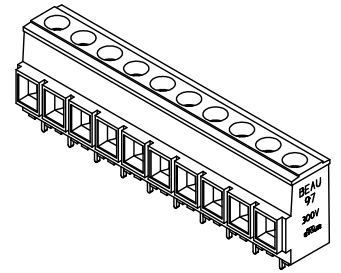
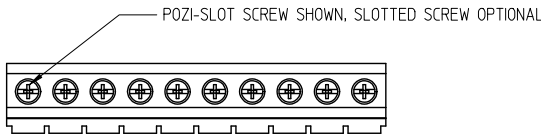
Click to view price, real time Inventory, Delivery & Lifecycle Information:

[Molex Connector Corporation](#)  
[0399700312](#)

For any questions, you can email us directly:

[sales@integrated-circuit.com](mailto:sales@integrated-circuit.com)

10 9 8 7 6 5 4 3 2 39970



NOTES:

1. MATERIAL: SEE TABLE.
2. FINISHES: SEE TABLE.
3. PRODUCT SPECIFICATION: NOT REQUIRED.
4. ALL FEATURES ARE TYPICAL UNLESS OTHERWISE NOTED.
5. PART IS DESIGNED TO MEET UL 1059 CLASS C 300V, 40A.
6. 'XX' REFERS TO NUMBER OF CIRCUITS.
7. ASSEMBLY IS ROHS COMPLIANT.

ITEM	QTY.	DESCRIPTION	MATERIAL	FINISH
6	XX	SCREW, M4 X 0.7 SLOTTED	BRONZE	TIN PLATE
5	XX	TERMINAL	COPPER	TIN PLATE
4	XX	CAGE	BRASS	NICKEL PLATE
3	XX	SCREW, M4 X 0.7 POZI-SLOT	BRONZE	TIN PLATE
2	1	COVER	POLYESTER (PBT)	BLACK
1	1	BODY	POLYESTER (PBT)	BLACK

REV	DESCRIPTION	QUALITY SYMBOLS	GENERAL TOLERANCES (UNLESS SPECIFIED)		DIMENSION STYLE	SCALE	DESIGN UNITS	THIRD ANGLE PROJECTION
			mm	INCH				
1	UPDATE TERM. HEIGHT DIM EC. NO: WNA/2009-04/5 2009/07/01		4 PLACES ± .005	± .005	MM/IN	1:1	INCH	
2	DRWNS: ENCLMS CHKD: CORK APPR: JMACNEIL 2009/07/02		3 PLACES ± .013	± .01				
			1 PLACE ± 0.3	± .005				
			ANGULAR ± 2°					
			DRAFT WHERE APPLICABLE MUST REMAIN WITHIN DIMENSIONS		SEE CHART			

**TITLE**  
 10.16MM/.400 SINGLE ROW  
 BTS ASSY, 8 AWG,  
 300V 40A

**APPROVED BY**  
 L. RÖTHAUS 2002/09/27

**DATE**  
 2002/09/13

**MATERIAL NO.**  
 SEE CHART

**DOCUMENT NO.**  
 SD-39970-004

**MOLEX INCORPORATED**

SHEET NO. 1 OF 2

9 8 7 6 5 4 3 2 1

10 9 8 7 6 5 4 3 2 39970

STD MATERIAL NUMBER	OPTIONAL 10A IMPRINT	OPTIONAL 11A IMPRINT	OPTIONAL SLOTTED SCREW	OPTIONAL SLOTTED SCREW W/10A IMPRINT	OPTIONAL SLOTTED SCREW W/11A IMPRINT	NUMBER OF CIRCUITS	"A" DIM.	"B" DIM.
399700302	399720302	399730302	399700502	399720502	399730502	2	21.84 [.86]	10.16 [.400]
399700303	399720303	399730303	399700503	399720503	399730503	3	32.00 [1.26]	20.32 [.800]
399700304	399720304	399730304	399700504	399720504	399730504	4	42.16 [1.66]	30.48 [1.200]
399700305	399720305	399730305	399700505	399720505	399730505	5	52.32 [2.06]	40.64 [1.600]
399700306	399720306	399730306	399700506	399720506	399730506	6	62.48 [2.46]	50.80 [2.000]
399700307	399720307	399730307	399700507	399720507	399730507	7	72.64 [2.86]	60.96 [2.400]
399700308	399720308	399730308	399700508	399720508	399730508	8	82.80 [3.26]	71.12 [2.800]
399700309	399720309	399730309	399700509	399720509	399730509	9	92.96 [3.66]	81.28 [3.200]
399700310	399720310	399730310	399700510	399720510	399730510	10	103.12 [4.06]	91.44 [3.600]
399700311	399720311	399730311	399700511	399720511	399730511	11	113.28 [4.46]	101.60 [4.000]
399700312	399720312	399730312	399700512	399720512	399730512	12	123.44 [4.86]	111.76 [4.400]
399700313	399720313	399730313	399700513	399720513	399730513	13	133.60 [5.26]	121.92 [4.800]
399700314	399720314	399730314	399700514	399720514	399730514	14	143.76 [5.66]	132.08 [5.200]

SEE SHEET ONE EC NO: WNA2009-0445 DRAWN: ENCLMS 2009/07/01 CHECK: URBK 2009/07/02 APPR: JMA/NEIL 2009/07/02 REV	QUALITY SYMBOLS	GENERAL TOLERANCES (UNLESS SPECIFIED)		DIMENSION STYLE		SCALE	DESIGN UNITS	THIRD ANGLE PROJECTION
		mm	INCH	MM/IN		1:1	INCH	
		4 PLACES ± .005	± .005	DRAWN BY	DATE	TITLE 10.16MM/.400 SINGLE ROW BTS ASSY, 8 AWG, 300V 40A		
		3 PLACES ± .005	± .005	GHR	2000/02/09			
2 PLACES ± 0.13	± .01	CHECKED BY	DATE	Molex MOLEX INCORPORATED DOCUMENT NO. SD-39970-004 SHEET NO. 2 OF 2				
1 PLACE ± 0.3	± .01	R. KEMP	2000/06/05					
	ANGULAR ± 2°	APPROVED BY	DATE					
		L. RÖTHAUS	2000/02/09					
	DRAFT WHERE APPLICABLE MUST REMAIN WITHIN DIMENSIONS	SEE CHART						
		THIS DRAWING CONTAINS INFORMATION THAT IS PROPRIETARY TO MOLEX INCORPORATED AND SHOULD NOT BE USED WITHOUT WRITTEN PERMISSION						

9 8 7 6 5 4 3 2 1