

Excellent Integrated System Limited

Stocking Distributor

Click to view price, real time Inventory, Delivery & Lifecycle Information:

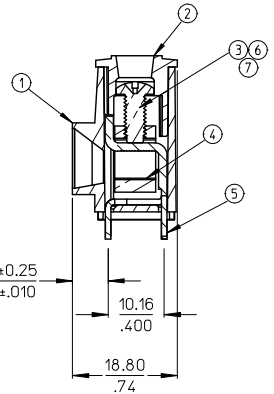
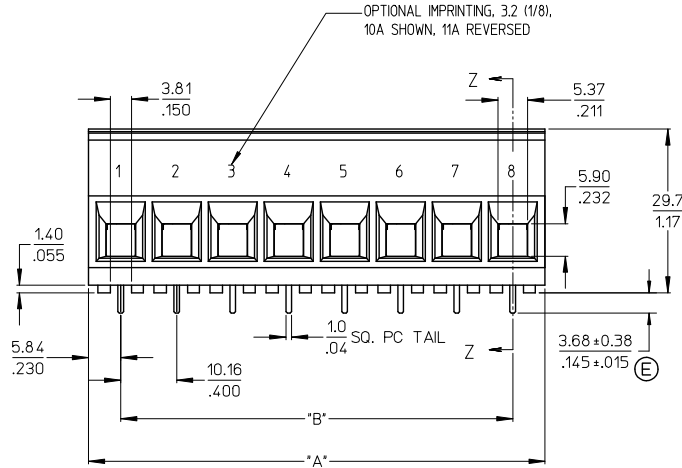
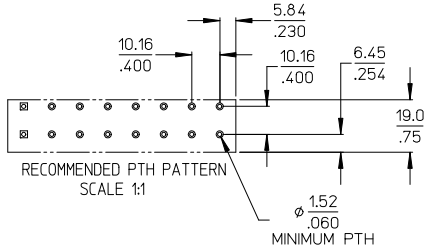
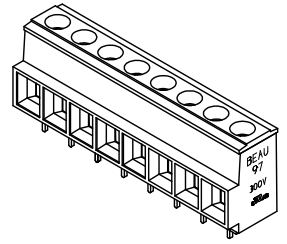
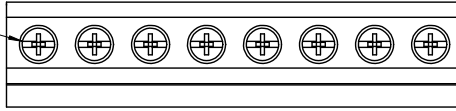
[Molex Connector Corporation](#)
[0399700406](#)

For any questions, you can email us directly:

sales@integrated-circuit.com

10 9 8 7 6 5 4 3 2 39970

POZI SLOT SHOWN
SLOTTED SCREW OPTIONAL



NOTES:

1. MATERIAL: SEE TABLE.
2. FINISHES: SEE TABLE.
3. PRODUCT SPECIFICATION: NOT REQUIRED.
4. PACKAGING: NOT REQUIRED.
5. MATES WITH: NONE.
6. ALL FEATURES ARE TYPICAL UNLESS OTHERWISE NOTED.
7. PART IS DESIGNED TO MEET UL 1059 CLASS C 300V, 60A.
8. "XX" REFERS TO NUMBER OF CIRCUITS.
9. FOR OPTIONAL IMPRINTING REFER TO SD-38120-005
10. ASSEMBLY IS ROHS COMPLIANT.

| | | | | | | | | | |
|------|------|-------------------------------------|-----------------|--------------|---|---|--|---|---|
| 7 | XX | SCREW, M4 X .07 POZI-SLOT (-56 OPT) | ST. STEEL | TIN PLATE | UPDATE TERM. HEIGHT DIM. EC NO: VNA/2009-0445 2009/07/01 DRAWN: ENCIMS 2009/07/01 CHKD: CORK 2009/07/02 APPR: JACQUELLE 2009/07/02 REV DESCRIPTION QUALITY SYMBOLS ▽=0 ▽=0 | GENERAL TOLERANCES (UNLESS SPECIFIED) 4 PLACES ± --- ± --- 3 PLACES ± --- ± .005 2 PLACES ± 0.13 ± .01 1 PLACE ± 0.3 ± --- ANGULAR ± 2° DRAFT WHERE APPLICABLE MUST REMAIN WITHIN DIMENSIONS | DIMENSION STYLE MM/IN DRAWN BY R. STONE 2002/09/13 CHECKED BY R. KEMP 2002/09/13 APPROVED BY L. RÖTHAUS 2002/09/27 MATERIAL NO. SEE CHART SIZE B | SCALE 3:2 DESIGN UNITS INCH THIRD ANGLE PROJECTION | TITLE 10.16MM/.400 SINGLE ROW BTS ASSY, 6 AWG, 300V 60A MOLEX INCORPORATED DOCUMENT NO. SD-39970-003 SHEET NO. 1 OF 2 |
| 6 | XX | SCREW, M4 X 0.7 SLOTTED | BRONZE | TIN PLATE | | | | | |
| 5 | XX | TERMINAL | COPPER | TIN PLATE | | | | | |
| 4 | XX | CAGE | BRASS | NICKEL PLATE | | | | | |
| 3 | XX | SCREW, M4 X .07 POZI-SLOT | BRONZE | TIN PLATE | | | | | |
| 2 | 1 | COVER | POLYESTER (PBT) | BLACK | | | | | |
| 1 | 1 | BODY | POLYESTER (PBT) | BLACK | | | | | |
| ITEM | QTY. | DESCRIPTION | MATERIAL | FINISH | | | | | |

9 8 7 6 5 4 3 2 1

10 9 8 7 6 5 4 3 2 39970

| STD MATERIAL NUMBER | OPTIONAL 10A IMPRINT | OPTIONAL 11A IMPRINT | OPTIONAL SS SCREW (OPT. -56) | OPTIONAL SLOTTED SCREW | OPTIONAL SLOTTED SCREW W/10A IMPRINT | OPTIONAL SLOTTED SCREW W/11A IMPRINT | NUMBER OF CIRCUITS | "A" DIM. | "B" DIM. |
|---------------------|----------------------|----------------------|------------------------------|------------------------|--------------------------------------|--------------------------------------|--------------------|---------------|----------------|
| 399700102 | 399720102 | 399730102 | 399700602 | 399700402 | 399720402 | 399730402 | 2 | 21.84 [.86] | 10.16 [.400] |
| 399700103 | 399720103 | 399730103 | 399700603 | 399700403 | 399720403 | 399730403 | 3 | 32.00 [1.26] | 20.32 [.800] |
| 399700104 | 399720104 | 399730104 | 399700604 | 399700404 | 399720404 | 399730404 | 4 | 42.16 [1.66] | 30.48 [1.200] |
| 399700105 | 399720105 | 399730105 | 399700605 | 399700405 | 399720405 | 399730405 | 5 | 52.32 [2.06] | 40.64 [1.600] |
| 399700106 | 399720106 | 399730106 | 399700606 | 399700406 | 399720406 | 399730406 | 6 | 62.48 [2.46] | 50.80 [2.000] |
| 399700107 | 399720107 | 399730107 | 399700607 | 399700407 | 399720407 | 399730407 | 7 | 72.64 [2.86] | 60.96 [2.400] |
| 399700108 | 399720108 | 399730108 | 399700608 | 399700408 | 399720408 | 399730408 | 8 | 82.80 [3.26] | 71.12 [2.800] |
| 399700109 | 399720109 | 399730109 | 399700609 | 399700409 | 399720409 | 399730409 | 9 | 92.96 [3.66] | 81.28 [3.200] |
| 399700110 | 399720110 | 399730110 | 399700610 | 399700410 | 399720410 | 399730410 | 10 | 103.12 [4.06] | 91.44 [3.600] |
| 399700111 | 399720111 | 399730111 | 399700611 | 399700411 | 399720411 | 399730411 | 11 | 113.28 [4.46] | 101.60 [4.000] |
| 399700112 | 399720112 | 399730112 | 399700612 | 399700412 | 399720412 | 399730412 | 12 | 123.44 [4.86] | 111.76 [4.400] |
| 399700113 | 399720113 | 399730113 | 399700613 | 399700413 | 399720413 | 399730413 | 13 | 133.60 [5.26] | 121.92 [4.800] |
| 399700114 | 399720114 | 399730114 | 399700614 | 399700414 | 399720414 | 399730414 | 14 | 143.76 [5.66] | 132.08 [5.200] |

| | | | | | | | | | |
|---|-------------------------------|---------------------------------------|--|--------------------------|---------------------------|--------------------|--|---|--|
| SEE SHEET ONE EC NO: WNA2009-0445 DRAWN: ENCLMS 2009/07/01 CHECK: UORX 2009/07/02 APPR: JMA/NEIL 2009/07/02 REV | QUALITY SYMBOLS ▽=0 ▽=0 | GENERAL TOLERANCES (UNLESS SPECIFIED) | | DIMENSION STYLE MM/IN | | SCALE 3:2 | DESIGN UNITS INCH | THIRD ANGLE PROJECTION | |
| | | | mm | INCH | DRAWN BY R. STONE | DATE 2002/09/13 | TITLE 10.16MM/.400 SINGLE ROW BTS ASSY, 6 AWG, 300V 60A | | |
| | | 4 PLACES | ± .005 | ± .0005 | CHECKED BY R. KEMP | DATE 2002/09/13 | | | |
| | | 3 PLACES | ± .013 | ± .01 | APPROVED BY L. RÖTHAUS | | DATE 2002/09/27 | Molex MOLEX INCORPORATED DOCUMENT NO. SD-39970-003 | |
| 2 PLACES | ± 0.3 | ± .005 | ANGULAR ± 2° | | MATERIAL NO. | SHEET NO. | | | |
| 1 PLACE | ± 0.3 | ± .005 | DRAFT WHERE APPLICABLE MUST REMAIN WITHIN DIMENSIONS | | SEE CHART | 2 OF 2 | | | |
| THIS DRAWING CONTAINS INFORMATION THAT IS PROPRIETARY TO MOLEX INCORPORATED AND SHOULD NOT BE USED WITHOUT WRITTEN PERMISSION | | | | | | | | | |

9 8 7 6 5 4 3 2 1