

Excellent Integrated System Limited

Stocking Distributor

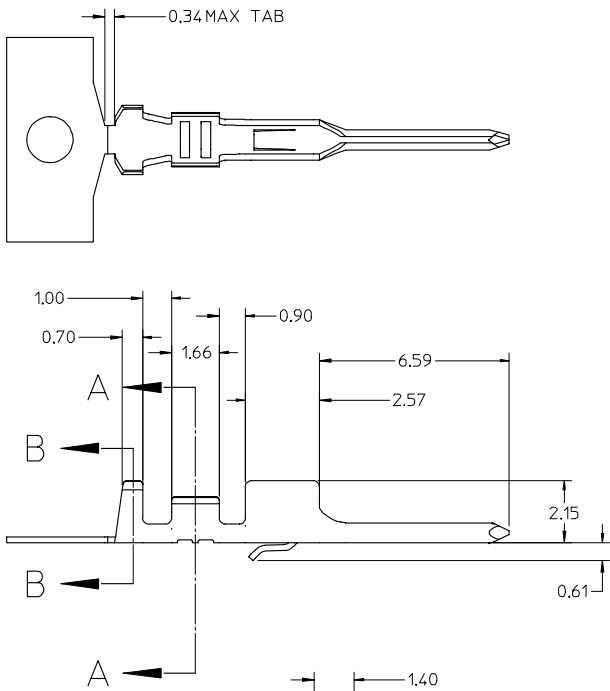
Click to view price, real time Inventory, Delivery & Lifecycle Information:

[Molex Connector Corporation](#)
[0456270002](#)

For any questions, you can email us directly:

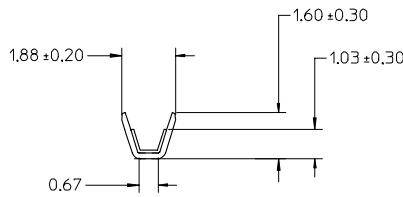
sales@integrated-circuit.com

45627

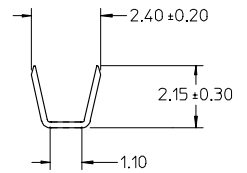


NOTES:

1. MATERIAL: PHOSPHOR BRONZE ALLOY
2. PLATING: 2.50μm/100μm TIN OVERALL
OVER 1.25μm/50μm OVERALL NICKEL UNDERPLATING.
3. PART CONFORMS TO PRODUCT SPECIFICATION PS-45579-001.
4. TERMINAL FOR USE IN SPOX PLUG 45626.
5. FOR TERMINAL ORIENTATION SEE DRAWING SD-45626-001.
6. USE MOLEX EXTRACTION TOOL 63813-1400 TO REMOVE TERMINAL WITHOUT DAMAGE TO THE PLUG CORE. REMOVED TERMINAL IS NOT USABLE.
7. CONTACT WIPE IN 45626-0001 HOUSING WHEN MATED TO 08-70-1045 TERMINAL IN 45579-0001 HOUSING:
STANDARD WIPE (ALL CIRCUITS EXCEPT CKT 1) 2.28mm +0.23/-0.25
FIRST-MAKE / LAST BREAK (CIRCUIT 1) 3.28mm +0.24/-0.26
TOLERANCE CALCULATED BY ROOT MEAN SQUARE METHOD (RMS)



SECTION A-A
SCALE 8:1



SECTION B-B
SCALE 8:1

tb_frame_B
rev. B1 2000/08/01

| | | | | | | | | | |
|---|-----------------------------|---------------------------------------|--|--|---------------------|--|---|---------------------------|------------------|
| EC NO: UCF2005-2128 DRAWN: MCARRANZ 05/04/05 CHKD: JCOMERC 2005/04/05 APPR: JCOMERC 2005/04/08 | QUALITY SYMBOLS -0 -0 | GENERAL TOLERANCES (UNLESS SPECIFIED) | | SCALE 4:1 | DESIGN UNITS METRIC | THIRD ANGLE PROJECTION | REVISE ON CAD ONLY | | |
| | | | | DIMENSION STYLE MM ONLY | | TITLE 0.70MM SPOX MALE CRIMP PIN TERMINAL 22-24AWG | | | |
| | | | | DRAFT WHERE APPLICABLE MUST REMAIN WITHIN DIMENSIONS | | DRAWN BY KSTILES | DATE 2/26/2004 | MATERIAL NO. 45627-0002 | |
| | | | | | | CHECKED BY MCARRANZ | DATE 05/17/04 | DOCUMENT NO. SD-45627-002 | SHEET NO. 1 OF 1 |
| A1 | REV | | | APPROVED BY JCOMERC | | DATE 05/18/04 | THIS DRAWING CONTAINS INFORMATION THAT IS PROPRIETARY TO MOLEX INCORPORATED AND SHOULD NOT BE USED WITHOUT WRITTEN PERMISSION | | |