

Excellent Integrated System Limited

Stocking Distributor

Click to view price, real time Inventory, Delivery & Lifecycle Information:

[TE Connectivity AMP Connectors
54575-1](#)

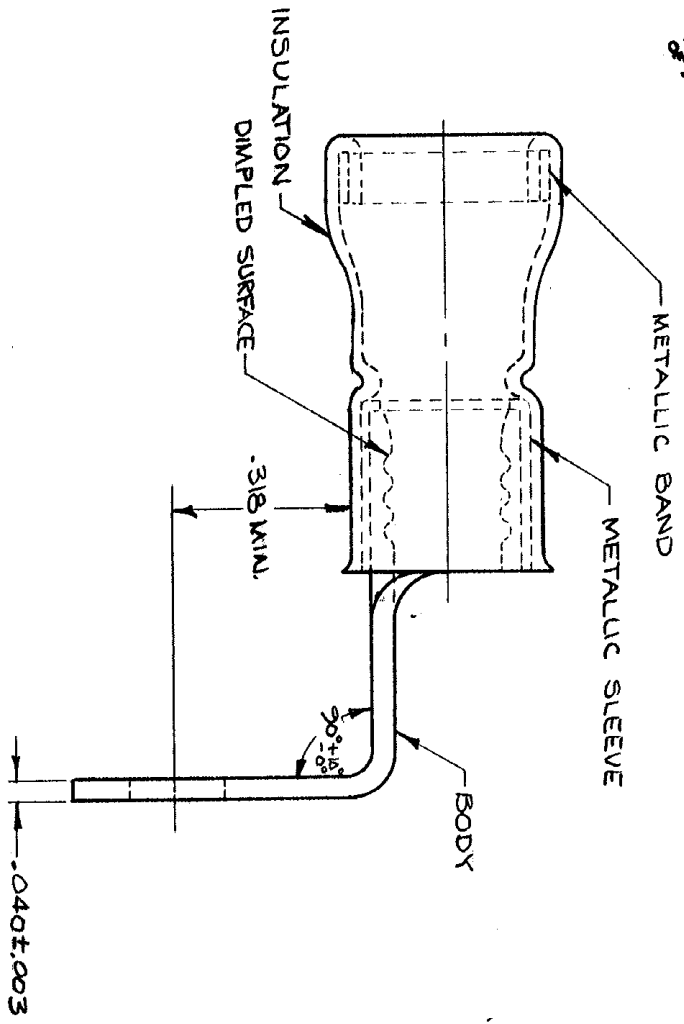
For any questions, you can email us directly:

sales@integrated-circuit.com



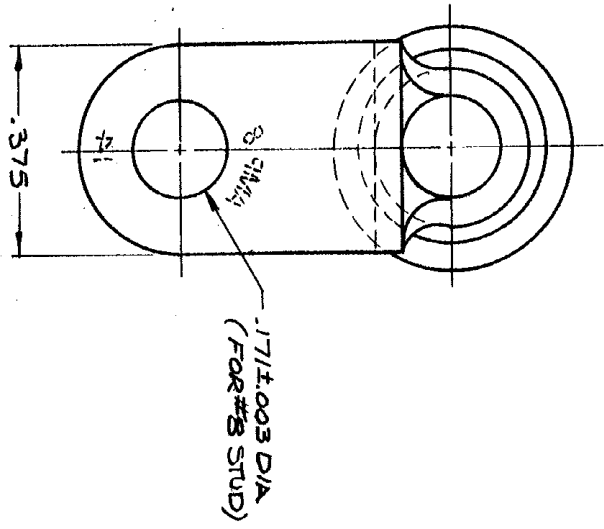
© COPYRIGHT 1978 BY AMP INCORPORATED, HARRISBURG, PA.
 ALL INTERNATIONAL RIGHTS RESERVED. AMP INCORPORATED PRODUCTS
 COVERED BY U. S. PATENTS AND/OR PATENTS PENDING.

ALL DIMENSIONS ARE IN INCHES UNLESS OTHERWISE SPECIFIED



FOR .298WAX DIA. WIRE INSULATION

REVISIONS		DESCRIPTION	DATE
P	E	ZONE LTR	
		NPS 77-0307	
		REV PER P-8347	RE-B
		REV B	7-85
		G-4680	



BODY: COPPER (QQ-C-576)
 T14 PLATE (MIL-T-107)
INSULATION: PVC COLOR: RB
METALLIC SLEEVE: COPPER (QQ-C-576)
METALLIC BAND: 2457M (A109)



AMP INC.
 HARRISBURG, PA.

UNLESS OTHERWISE SPECIFIED DIMENSIONS ARE IN INCHES: DECIMALS ±.008 ANGLES ± 5°	CONTRACT NO.	DR. <i>C. K. Kistner</i> 1-5-78
MATERIAL	CHK. <i>M. H. H. H.</i> 1-4-78	APPRO.
SEE TABLE	APPRO.	DESIGN APPRO. <i>D. R. R.</i> 1-4-78
FINISH	OTHER APPRO.	
SEE TABLE		

NAME	WIRE TERMINATION
AMP-LI-BOND-RING TONGUE	
WIRE SIZE:	
SIZE	B
CODE IDENT NO.	00779
DRAWING NO.	54
SCALE	4:1

CUSTOMER

AMP 1470-15 (7-73)