

Excellent Integrated System Limited

Stocking Distributor

Click to view price, real time Inventory, Delivery & Lifecycle Information:

[TE Connectivity AMP Connectors
328463](#)

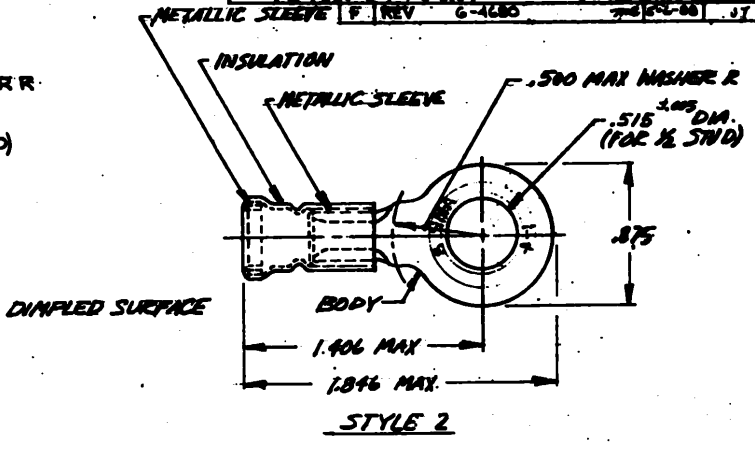
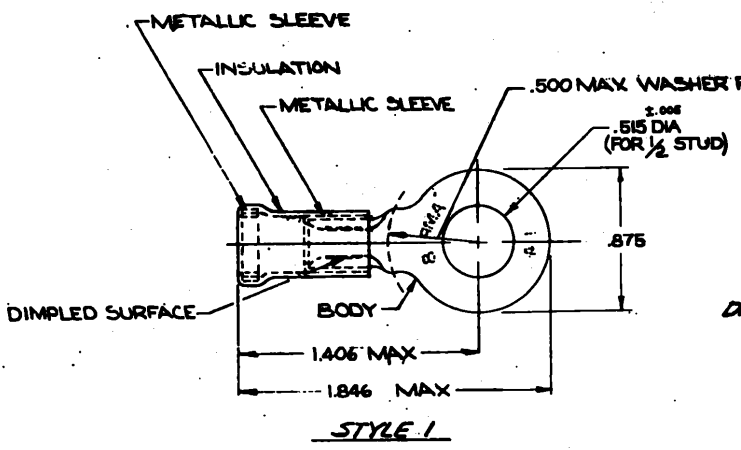
For any questions, you can email us directly:

sales@integrated-circuit.com

DRAWING MADE IN AMERICAN PROJECTION

© 1969 BY AMP INCORPORATED. ALL RIGHTS RESERVED. AMP PRODUCTS COVERED BY PATENTS AND OR PATENTS PENDING.

REVISIONS				
ZONE	LTR	DESCRIPTION	DATE	APPROVED
C		REDRAWN & REVISED R. B. B.	1-6-70	J. M.
D		REV. FOR P-2367	1-28-70	J. M.
E		QTS 2 - 1/8-20x3	2-23-70	J. M.
F		REV 6-4680	7-26-80	J. T.



TONGUE MATERIAL THICKNESS = .040 ±.002
 FOR 'A' MAX WIRE INS DIA

TABLE I

1	WIRE TERMINAL	SEE TABLE II	BODY: COPPER (99-C-576) TIN PL (MIL-T-10727)
			INSULATION: PVC COLOR: RED
			METALLIC SLEEVE: COPPER (99-C-576)
			METALLIC BAND: STEEL (A192M A193)
			MATERIAL & FINISH
UNLESS OTHERWISE SPECIFIED DIMENSIONS ARE IN INCHES TOLERANCES ON DECIMALS: .005 ANGLES: 2.5°		CONTRACT NO.	AMP INCORPORATED HARRISBURG, PENNSYLVANIA
MATERIAL		DATE: 1-6-70	NAME: WIRE TERMINAL AMPLI-BOND - RING TONGUE WIRE SIZE: 8
SEE TABLE I		DATE: 1-2-70	SIZE: B CODE IDENT NO. 00779 NUMBER 328463
		DATE: 1-2-70	SCALE: NTS SHEET 1 OF 1

TABLE II

328463-1	277	1	OBSOLETE
328463	290	2	
PART NO.	'A'	STYLE	