

## **Excellent Integrated System Limited**

Stocking Distributor

Click to view price, real time Inventory, Delivery & Lifecycle Information:

[TE Connectivity AMP Connectors](#)  
[322009](#)

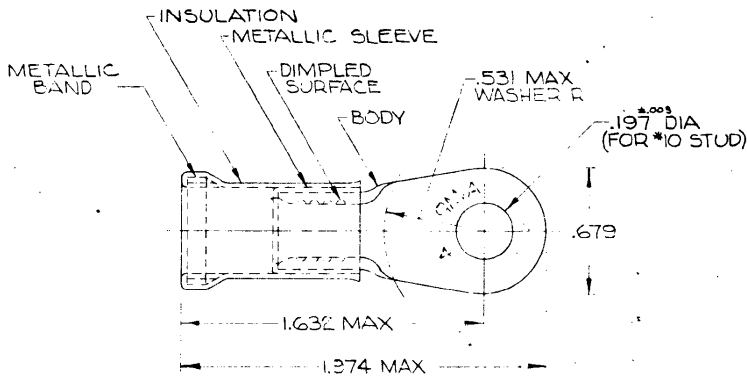
For any questions, you can email us directly:

[sales@integrated-circuit.com](mailto:sales@integrated-circuit.com)

DRAWING MADE IN AMERICAN PROJECTION

© 1953 BY AMP INCORPORATED. ALL RIGHTS RESERVED. AMP PRODUCTS COVERED BY PATENTS AND/OR PATENTS PENDING.

REVISIONS				
ZONE	LTR	DESCRIPTION	DATE	APPROVED
B		REDRAWN & UPDATED	8-14-69	Jme
C		REVISED PER ECN P-7000	8/10/78	JTW
D		OB SOLETE 1--0 G-2581	9/6/88	msf
E		REV PER G-4680	11/21/88	JPS
F		REV 10720-0199-99	10/8/94	JML



FOR .436 MAX WIRE INSULATION DIA.  
 TONGUE MATERIAL THK = .048 ± .003

OB SOLETE	322009 ON TAPE	1-322009-0	
1	WIRE TERMINAL	322009	METALLIC BAND: STEEL PP-5-698 (ASTM A109) INSULATION: YELLOW PVC METALLIC SLEEVE: COPPER (QQ-C-576) BODY: COPPER (QQ-C-576) TIN PL (MIL-T-10727)
QTY DESCRIPTION PART NO.		MATERIAL & FINISH	
UNLESS OTHERWISE SPECIFIED DIMENSIONS ARE IN INCHES TOLERANCES ARE: DECIMALS ±.008 ANGLES ±5°		AMP INCORPORATED HARRISBURG, PENNSYLVANIA <b>WIRE TERMINAL AMPLI-BOND-RING TONGUE WIRE SIZE: 4</b>	
MATERIAL		CONTRACT NO. 4	DR. 8-12-69
SEE TABLE		CHKD. M. Grominger 8-15-69	APPD. Label 8-15-69
		REL. P.M. Grominger 8-15-69	DSGN APPD.
		OTHER APPD.	SIZE B CODE IDENT NO. 00779 NUMBER 322009
		SCALE 2:1	SHEET 1 OF 1