

Excellent Integrated System Limited

Stocking Distributor

Click to view price, real time Inventory, Delivery & Lifecycle Information:

[TE Connectivity AMP Connectors
322897](#)

For any questions, you can email us directly:
sales@integrated-circuit.com

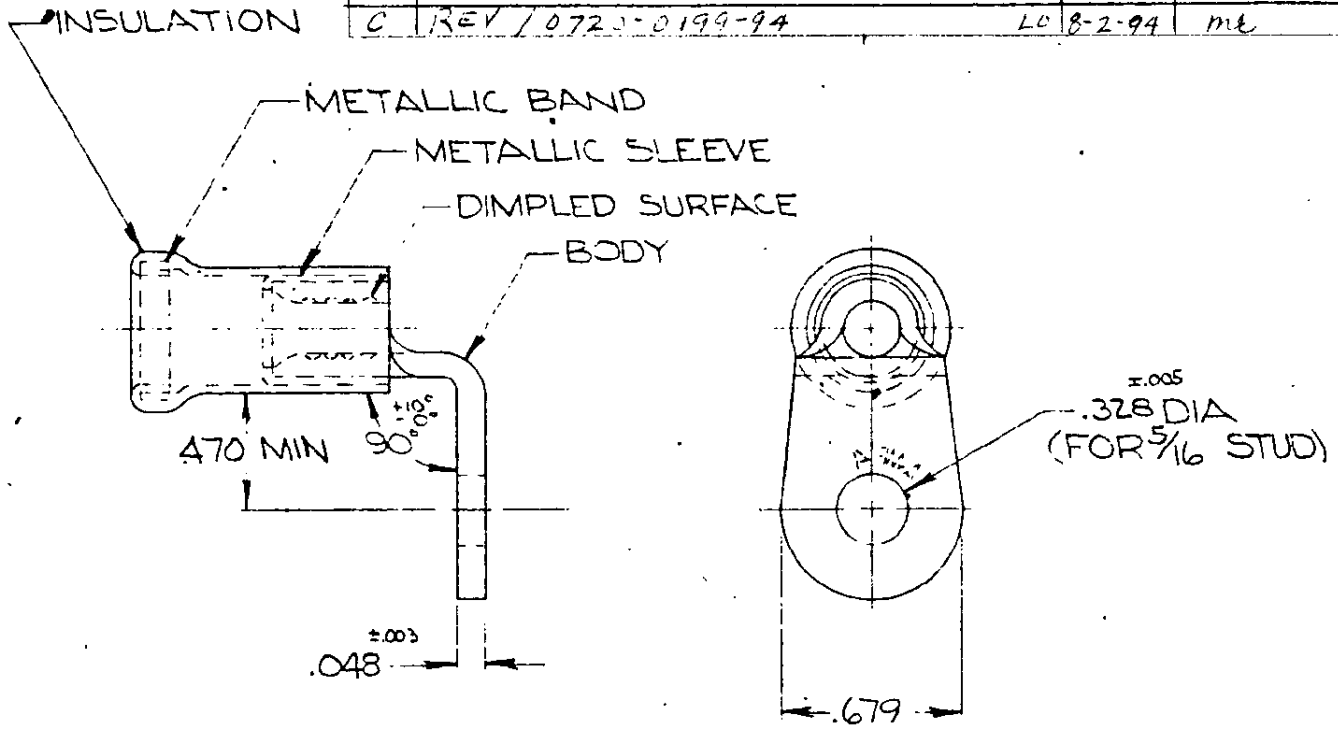
DRAWING MADE IN AMERICAN PROJECTION

↓

LOC **G** PRINT DIST **14**

© 1955 BY AMP INCORPORATED. ALL RIGHTS RESERVED. AMP PRODUCTS COVERED BY PATENTS AND/OR PATENTS PENDING.

REVISIONS			
LTR	DESCRIPTION	DATE	APPROVED
A	REDRAW & REVISED PC-5563	LE 1-5-70	JMC
B	REV G-4680	TMS 5-5-88	JT
C	REV 10720-0199-94	LD 8-2-94	ML



FOR 436 MAX WIRE INS. DIA

WIRE TERMINAL	322897	BODY: COPPER (QQ-C-576)	
		TINI PL (MIL-T-10727)	
		INSULATION: PVC COLOR: YELLOW	
		METALLIC SLEEVE: COPPER (QQ-C-576)	
METALLIC BAND: STEEL QQ-S-698 (ASTM A109)		MATERIAL & FINISH	
QTY	DESCRIPTION	PART NO.	
UNLESS OTHERWISE SPECIFIED DIMENSIONS ARE IN INCHES		CONTRACT NO.	AMP INCORPORATED HARRISBURG, PENNSYLVANIA
TOLERANCES ON: DECIMALS ± .008 ANGLES ± 5°		DR. <i>J. P. Ples</i> 11-10-69	
MATERIAL SEE TABLE	CHK	<i>AM Enamering</i> 1-5-70	NAME
	APPD	<i>Swabel</i> 1-8-70	WIRE TERMINAL
	REL	<i>AM Enamering</i> 1-7-70	AMPLI-BOND-RING TONGUE-BENT 90°
	DSGN APPD		WIRE SIZE: 4
OTHER APPD		SIZE	CODE / DENT NO.
		A	00779
		SCALE	NUMBER
		1/8"	322897
		SHEET # OF #	