

## Excellent Integrated System Limited

Stocking Distributor

Click to view price, real time Inventory, Delivery & Lifecycle Information:

[TE Connectivity AMP Connectors  
52097](#)

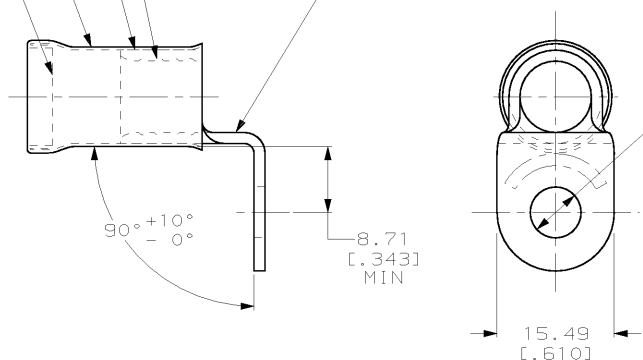
For any questions, you can email us directly:

[sales@integrated-circuit.com](mailto:sales@integrated-circuit.com)

THIS DRAWING IS UNPUBLISHED. RELEASED FOR PUBLICATION .19  
 BY AMP INCORPORATED. ALL RIGHTS RESERVED.

LOC	DIST	REVISIONS			
P	LTR	DESCRIPTION	DATE	DWN	APVD
B		REVISED PER 0L20-0178-97	31OCT97	DKS	CHK

DIMPLES  
 METALLIC SLEEVE  
 INSULATION  
 METALLIC BAND  
 BODY



- 1 MATERIAL THK: 1.45 ± 0.08 [.057 ± .003]
- 2 WIRE INSULATION DIA: 12.83 [.505] MAX

6.73 ± 0.13 DIA  
 [.265 ± .005]  
 FOR 1/4 STUD

8.71  
 [.343]  
 MIN

15.49  
 [.610]

<u>BODY:</u> COPPER PER ASTM B-152 TIN PL 0.00254 [.000100] MIN THK PER ASTM B-545 <u>INSULATION:</u> PVC <u>COLOR:</u> RED <u>METALLIC SLEEVE:</u> COPPER PER ASTM B-152 <u>METALLIC BAND:</u> STEEL PER ASTM A-109	52097
MATERIAL & FINISH	AMP PART NUMBER

<b>AMP INCORPORATED          CUSTOMER SERVICE SYSTEMS</b>		
FOR ADDITIONAL PRODUCT INFORMATION OR COPIES OF DRAWINGS AND TECHNICAL DOCUMENTS PRODUCT INFORMATION CENTER 1-800-522-6752	RECOMMENDED OPERATING TEMPERATURE: 105°C MAX VOLTAGE RATING: NOT APPLICABLE	WIRE CROSS SECTIONAL AREA RANGE: 26.7-42.4mm <sup>2</sup> [52,600-83,700] CIR MILS SOLID OR STRANDED
FOR APPLICATION TOOLING INFORMATION TOOLING ASSISTANCE CENTER 1-800-722-1111	WIRE CROSS SECTIONAL AREA RANGE: 26.7-42.4mm <sup>2</sup> [52,600-83,700] CIR MILS SOLID OR STRANDED	MATERIAL SEE TABLE
FOR ORDER ENTRY 1-800-526-5142	FINISH SEE TABLE	WEIGHT -

THIS DRAWING IS A CONTROLLED DOCUMENT.		DWN DK SCHRUM 31OCT97	AMP Incorporated Harrisburg, PA 17105-3608
DIMENSIONS: mm [INCHES]	TOLERANCES UNLESS OTHERWISE SPECIFIED:	CHK MJ SPICER 03NOV97	
0 PLC ±- 1 PLC ±- 2 PLC ±0.20 [.008] 3 PLC ±- 4 PLC ±- ANGLES ±-	MATERIAL SEE TABLE	APVD JL MECKLEY 03NOV97	NAME TERMINAL, RING TONGUE, BENT 90°, AMPLI-BOND™, WIRE SIZE: 2 AWG
APPLICATION SPEC -	FINISH SEE TABLE	PRODUCT SPEC -	SIZE A3 00779
APPLICATION SPEC -	FINISH SEE TABLE	PRODUCT SPEC -	DRAWINGS NO 52097
APPLICATION SPEC -	FINISH SEE TABLE	PRODUCT SPEC -	RESTRICTED TO -
APPLICATION SPEC -	FINISH SEE TABLE	PRODUCT SPEC -	SCALE 2:1
APPLICATION SPEC -	FINISH SEE TABLE	PRODUCT SPEC -	SHEET 1 OF 1
APPLICATION SPEC -	FINISH SEE TABLE	PRODUCT SPEC -	REV B