

Excellent Integrated System Limited

Stocking Distributor

Click to view price, real time Inventory, Delivery & Lifecycle Information:

[TE Connectivity AMP Connectors](#)
[326896](#)

For any questions, you can email us directly:

sales@integrated-circuit.com



Distributor of TE Connectivity AMP Connectors: Excellent Integrated System Limited
 Datasheet of 326896 - CONN RING 2 AWG #5/16 RED A-BOND

4

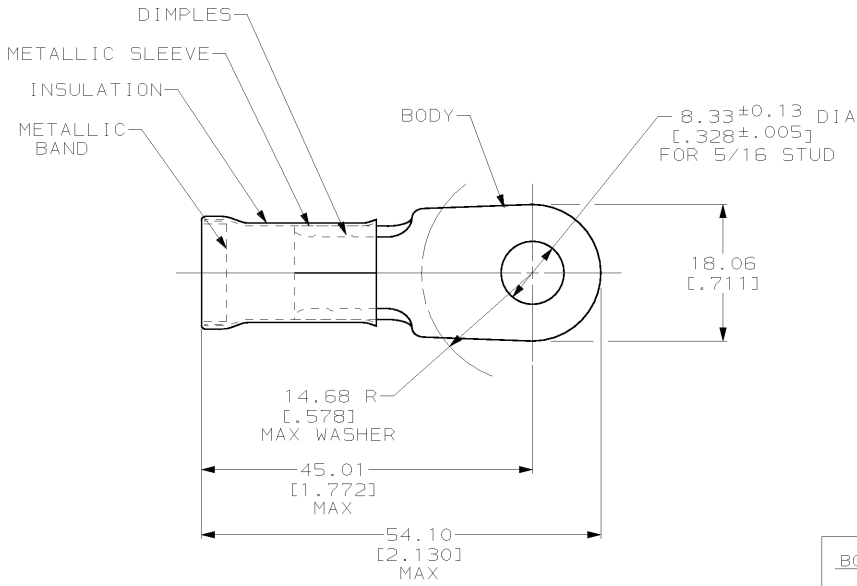
3

2

1

THIS DRAWING IS UNPUBLISHED. RELEASED FOR PUBLICATION .19
 BY AMP INCORPORATED. ALL RIGHTS RESERVED.

LOC	DIST	REVISIONS			
P	LTR	DESCRIPTION	DATE	DWN	APVD
G	14	E	REVISED PER 0L20-0178-97	31OCT97	DKS CHK



- 1 MATERIAL THK: 1.45±0.08 [0.057±.003]
- 2 WIRE INSULATION DIA: 12.83[0.505] MAX

BODY: COPPER PER ASTM B-152 TIN PL 0.00254[0.000100] MIN THK PER ASTM B-545 INSULATION: PVC COLOR: RED METALLIC SLEEVE: COPPER PER ASTM B-152 METALLIC BAND: STEEL PER ASTM A-109	326896
MATERIAL & FINISH	AMP PART NUMBER

**AMP INCORPORATED
 CUSTOMER SERVICE SYSTEMS**

FOR ADDITIONAL PRODUCT INFORMATION OR COPIES OF DRAWINGS AND TECHNICAL DOCUMENTS	PRODUCT INFORMATION CENTER 1-800-522-6752	RECOMMENDED OPERATING TEMPERATURE: 105°C MAX
FOR APPLICATION TOOLING INFORMATION	TOOLING ASSISTANCE CENTER 1-800-722-1111	VOLTAGE RATING: NOT APPLICABLE
FOR ORDER ENTRY	1-800-526-5142	WIRE CROSS SECTIONAL AREA RANGE: 26.7-42.4mm ² [52,600-83,700] CIR MILS SOLID OR STRANDED

THIS DRAWING IS A CONTROLLED DOCUMENT.

DIMENSIONS: mm [INCHES]	TOLERANCES UNLESS OTHERWISE SPECIFIED: 3 PLC ±- 1 PLC ±- 2 PLC ±0.20[.008] 3 PLC ±- 4 PLC ±- ANGLES ±-	DWN DK SCHRUM 31OCT97 CHK MJ SPICER 03NOV97 APVD JL MECKLEY 03NOV97	AMP Incorporated Harrisburg, PA 17105-3608
MATERIAL SEE TABLE	FINISH SEE TABLE	NAME TERMINAL, RING TONGUE, AMPLI-BOND™, WIRE SIZE: 2 AWG	RESTRICTED TO
CUSTOMER DRAWING		SIZE A3	WEIGHT -
		CAE CODE 00779	DRAWING NO 326896
		SCALE 2:1	SHEET 1 OF 1
			REV E