

## Excellent Integrated System Limited

Stocking Distributor

Click to view price, real time Inventory, Delivery & Lifecycle Information:

[NorComp](#)  
[993-009-020-121](#)

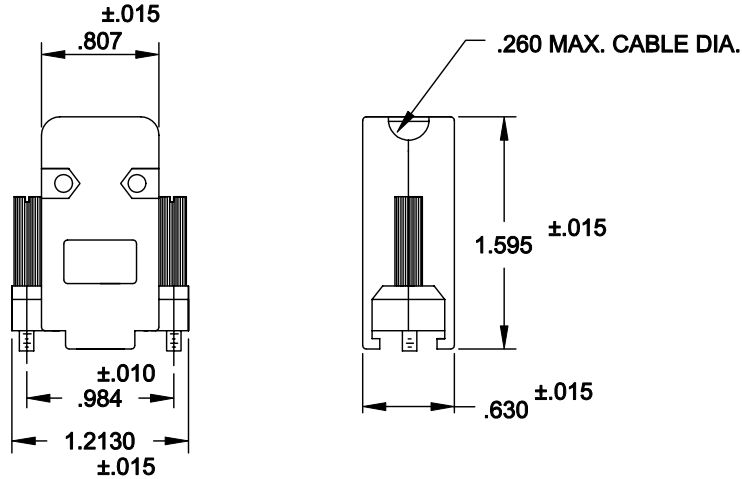
For any questions, you can email us directly:  
[sales@integrated-circuit.com](mailto:sales@integrated-circuit.com)

DESCRIPTION: 993 SERIES 45 DEGREE ENTRY D-SUB BACKSHELL


**BACKSHELL KIT INCLUDES:**

- (2) BACKSHELL HALVES
- (2) HOUSING SCREWS
- (2) HOUSING NUTS
- (2) 4-40 THUMBSCREWS
- (2) STRAIN RELIEF CLAMPS
- (2) STRAIN RELIEF SCREWS

Series	993-XXX-XXX-XX1
Position	009
Material	010 = Plastic 020 = Metalized Plastic
Color:	03 = Grey 12 = Chrome
Put-Up:	1 = Kit



**METALIZED PLASTIC:**  
 MATERIAL: ABS HIGH TEMPERATURE PLASTIC 94HB  
 METALIZED PLATING: CHROME  
**PLASTIC:**  
 MATERIAL: ABS HIGH TEMPERATURE PLASTIC 94HB

	THESE DRAWINGS AND SPECIFICATIONS ARE THE PROPERTY OF NorComp AND SHALL NOT BE REPRODUCED, COPIED OR USED AS THE BASIS FOR THE MANUFACTURE OR SALE OF APPARATUS WITHOUT WRITTEN PERMISSION.	DRAWN: <b>PAM JENKINS</b>	DATE: <b>9-15-99</b>
		CHECKED:	DATE:
<h1>NorComp</h1>		SCALE _____ SHEET _____ OF _____ REV <b>3</b>	DWG NO. <b>993-009-XXX-XX1</b>