



Excellent Integrated System Limited

Stocking Distributor

Click to view price, real time Inventory, Delivery & Lifecycle Information:

[NorComp](#)
[993-025-020-121](tel:993-025-020-121)

For any questions, you can email us directly:
sales@integrated-circuit.com

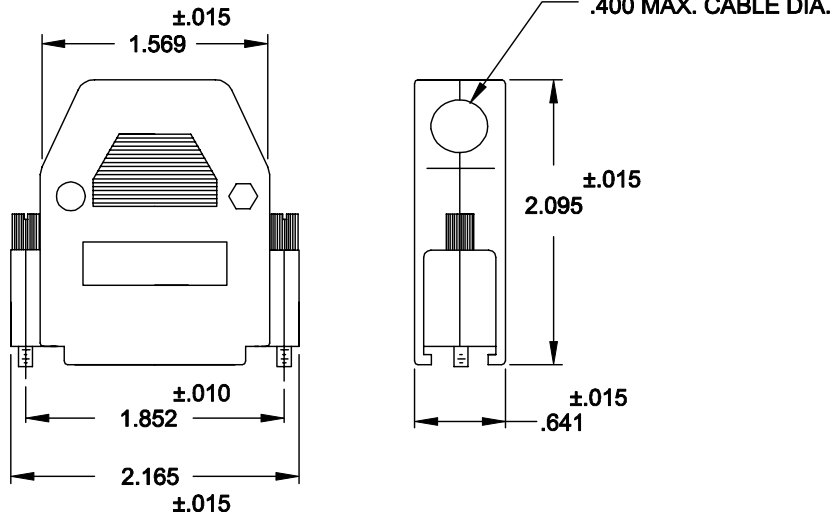
DESCRIPTION: **993 SERIES 45 DEGREE ENTRY D-SUB BACKSHELL**

BACKSHELL KIT INCLUDES:

- (2) BACKSHELL HALVES
- (2) HOUSING SCREWS
- (2) HOUSING NUTS
- (2) 4-40 THUMBSCREWS
- (2) STRAIN RELIEF CLAMPS
- (2) STRAIN RELIEF SCREWS

993-XXX-XXX-XX1


Series _____
 Position _____
 025 _____
 Material _____
 010 = Plastic
 020 = Metalized Plastic
 Color: _____
 03 = Grey
 12 = Chrome
 Put-Up: _____
 1 = Kit



METALIZED PLASTIC:
 MATERIAL: ABS HIGH TEMPERATURE PLASTIC 94HB

METALIZED PLATING:
 CHROME

PLASTIC:
 MATERIAL: ABS HIGH TEMPERATURE PLASTIC 94HB

	THESE DRAWINGS AND SPECIFICATIONS ARE THE PROPERTY OF NorComp AND SHALL NOT BE REPRODUCED, COPIED OR USED AS THE BASIS FOR THE MANUFACTURE OR SALE OF APPARATUS WITHOUT WRITTEN PERMISSION.	DRAWN: PAM JENKINS	DATE: 9-15-99
		CHECKED:	DATE:
NorComp		SCALE	SHEET OF REV 4
		DWG NO. 993-025-XXX-XX1	