

Excellent Integrated System Limited

Stocking Distributor

Click to view price, real time Inventory, Delivery & Lifecycle Information:

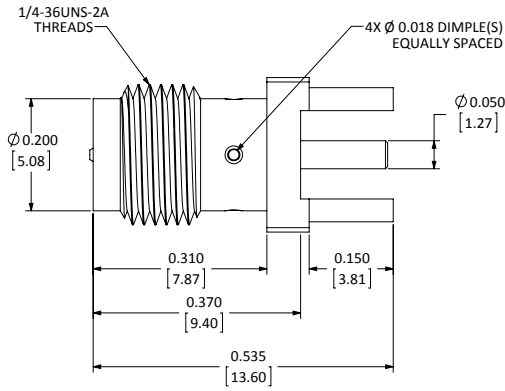
[Linx Technologies](#)
[CONREVSMA001](#)

For any questions, you can email us directly:

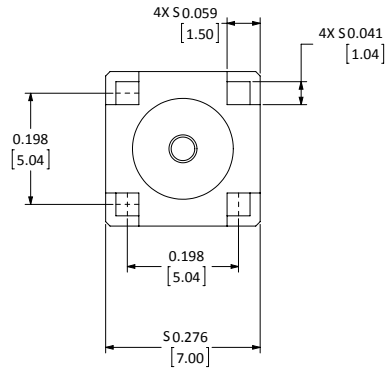
sales@integrated-circuit.com

DESCRIPTION	MATERIAL	FINISH
BODY	BRASS	NICKEL
PIN	BeCu	GOLD
INSULATION	PTFE	N/A

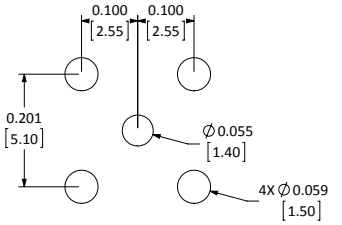
REVISIONS			
REV	DESCRIPTION	DATE	APPV
B	ADDED NEW TITLE BLOCK: UPDATED DIMENSIONS AND FOOTPRINT	5-MAR-12	SAH
C	UPDATED MATERIALS	10-JUL-12	SAH
D	ADDED DIMPLE TO PART	3-JUN-13	SAH



SIDE VIEW



BOTTOM VIEW



RECOMMENDED FOOTPRINT

NOTES: (UNLESS OTHERWISE SPECIFIED)

1. ALL DIMENSIONS ARE IN INCHES [mm].
2. DIMENSIONS APPLY AFTER FINISHING.
3. MANUFACTURE TO BE COMPLIANT WITH EU RoHS DIRECTIVE.
4. SAFETY BREAK ALL SHARP CORNERS AND EDGES .02 MAXIMUM.

WARNING: THIS DRAWING CONTAINS PROPRIETARY INFORMATION THAT IS THE SOLE PROPERTY OF LINX TECHNOLOGIES, AND SHALL BE TREATED AS SUCH. NO DISCLOSURE OR REPRODUCTION OF THIS DOCUMENT IS PERMITTED, IN WHOLE OR IN PART, WITHOUT THE EXPRESS WRITTEN PERMISSION OF LINX TECHNOLOGIES OR ITS DESIGNATED AGENTS.

MATERIAL: _____ INTERPRET DIMENSIONS AND TOLERANCES PER ASME Y14.5. PROJECTION: _____
 SURFACE FINISH: ✓ ANGLE: ±1°
 TOLERANCES: X ±.1 .XX ±.01 .XXX ±.005
 FINISH: _____ DRAWN: B.MURPHY DT: 8-MAR-13
 ENGR: S.HOGAN DT: 3-JUN-13

Linx 159 ORT LANE
 MERLIN, OR 97532
 TITLE: RP-SMA FEMALE
 PCB MOUNT
 SIZE DWG. NO. REV
B CONREVSMA001 **D**
 SCALE: 6:1 DO NOT SCALE DRAWING SHEET 1 OF 1
 LDCF08_C