

## Excellent Integrated System Limited

Stocking Distributor

Click to view price, real time Inventory, Delivery & Lifecycle Information:

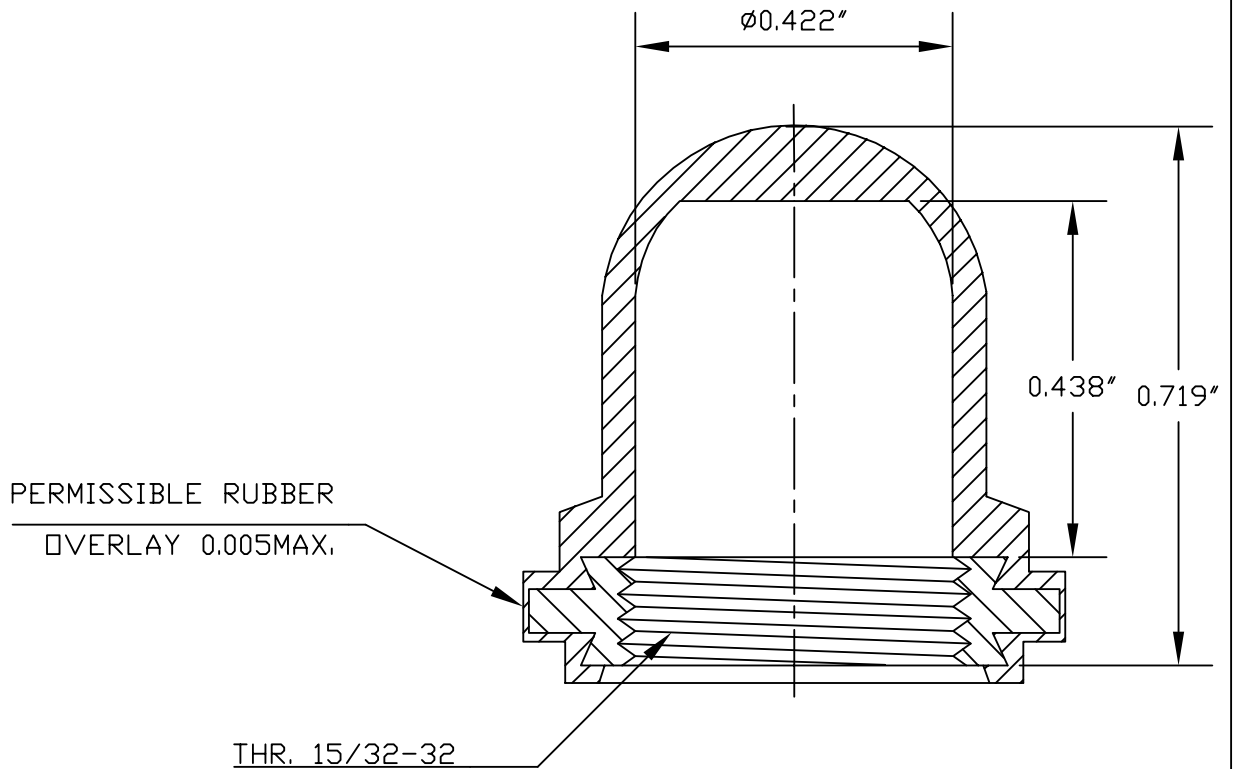
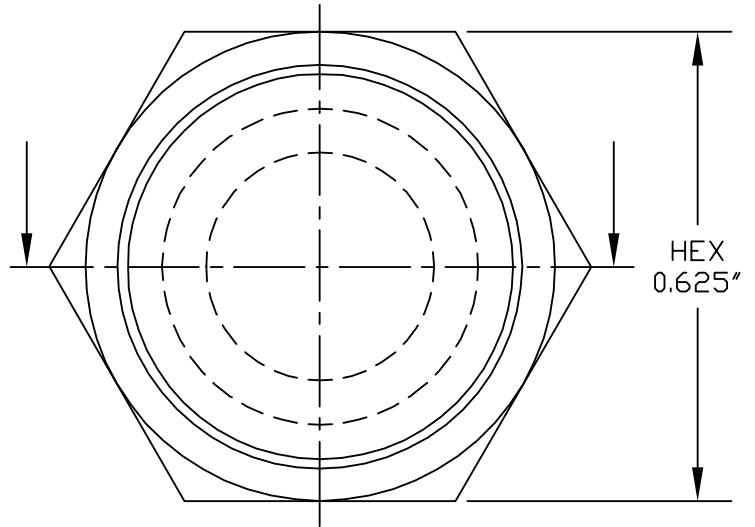
[APM Hexseal](#)  
[NC3030 4](#)

For any questions, you can email us directly:

[sales@integrated-circuit.com](mailto:sales@integrated-circuit.com)

**SPECIFICATIONS**

**Material:** HEXSEALS: Silicone rubber conforms to A-A-59588 Class III, GR 60 unless otherwise specified.  
**Mounting Nut:** HEXSEALS: Brass, nickel-plated (unless otherwise noted)  
**Temperature Range:** HEXSEALS: -94°F to +400°F  
**Pressure Range:** Exceeds 15 psi internal and 1500 psi external.  
**Operational Life:** 50,000 actuations (minimum).  
**Shelf Life:** Excess of 25 years.  
**Resistant to:** Salt spray, sunlight, ozone, weather, fungus, and most acids and lubricating oils  
**Agency Recognition:** E-SEELS and HEXSEALS are UL-listed to UL Std. 50 types 1-13, and meet CSA standards.  
**Installation:** If a reducing adaptor is required - see page 14 of HEXSEAL catalog HEX200 for part numbers and drawing.



J	MAT'L CHANGED	S.GOK	07-13-09
I	CAD COMPUTER GENERATED		9-23-02
H	UPDATED, ADDED ORDER NUMBERS, DWG NO. WAS 12/31/SERIES	W.P.	11-24-76
REV.	DESCRIPTION		DATE
MAXIMUM AND MINIMUM MEASUREMENTS ARE STATED DIRECTLY ON EACH DIMENSION.			
MAT'L: SILICONE RUBBER A-A-59588 Class III, Gr.60	TITLE: BOOT, PUSH BUTTON SWITCH (NC3030 -2513)	ENG. M.MORSE DWN. S.ANDREWS CHKD. B.GLICKSMAN	1-21-60 1-21-60 1-21-60
FINISH: GRAY	APM-HEXSEAL CORPORATION	SCALE 4 : 1 DWG. NO. NC3030 -2513 HEXSEAL®	

THIS DRAWING COVERS PROPRIETARY ITEM AND IS THE PROPERTY OF THE APM-HEXSEAL CORPORATION.  
 THIS DRAWING IS NOT TO BE COPIED OR USED WITHOUT THE WRITTEN APPROVAL OF AN OFFICER OF THE APM-HEXSEAL CORPORATION.