

Excellent Integrated System Limited

Stocking Distributor

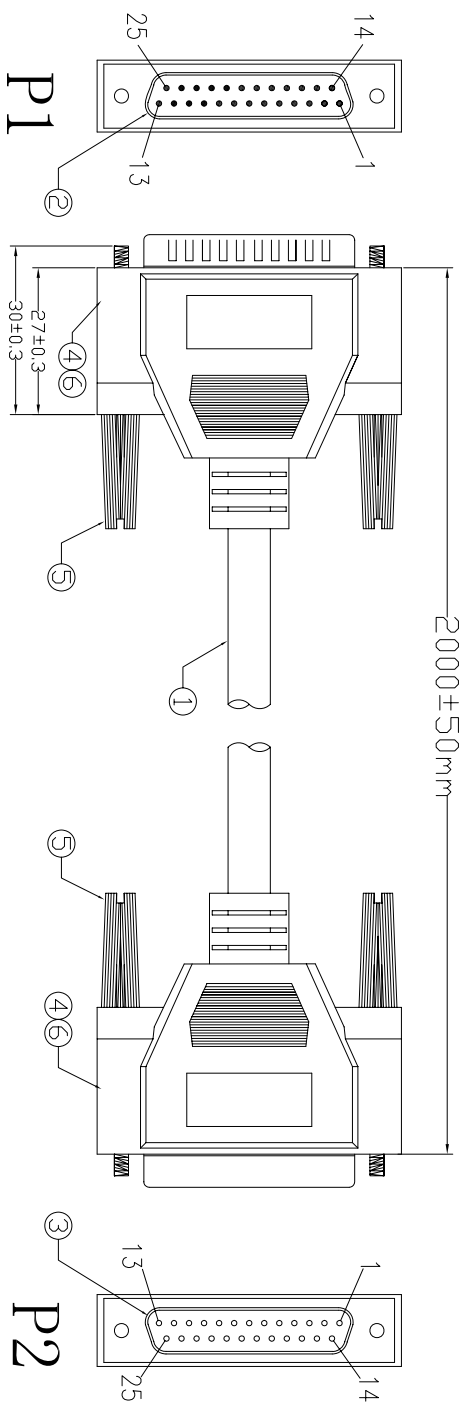
Click to view price, real time Inventory, Delivery & Lifecycle Information:

[CNC Tech](#)
[710-10015-00200](#)

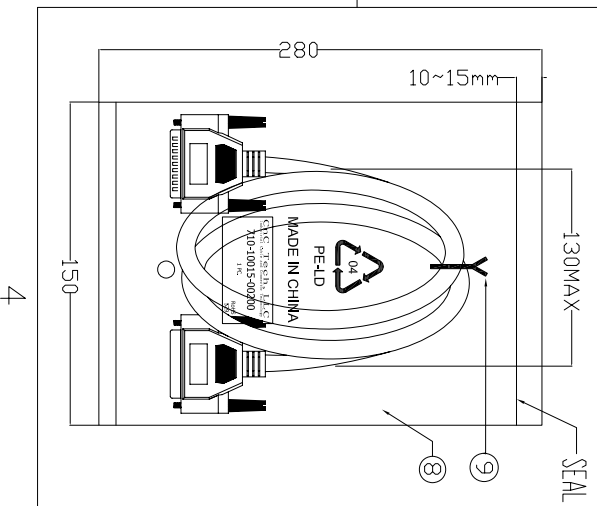
For any questions, you can email us directly:

sales@integrated-circuit.com

Units: mm



Electrical test:
 1. 100% short, open, miswire test
 2. Conduct resistance: 2 Ohm(max)
 3. Insulation resistance: 5Mohm(min)
 4. dielectric test: DC 300V



①	TIE	1	WHITE L=80mm
②	PE BAG	1/10	CLEAR SIZE: 360*380*0.05mm PRINT BLACK"MADE IN CHINA"+"10RKS"及印生产周期,有透气孔.
③	PE BAG	1	CLEAR SIZE: 150*280*0.05mm PRINT BLACK"MADE IN CHINA"+"1R"及印生产周期,有透气孔.
④	TUBE	2	HEAT SHRINK TUBE BLACK ODI:5*20MM
⑤	SCREW	4	#4-40UNC TYPE L=30mm,NICKEL PLATED.MOLD:BEIGE(V-29) ABS
⑥	IN JACKET	18g	CLEAR LD-PE (Mould NO.:NM-33)
⑦	OUT JACKET	60g	BEIGE(V-29) 40P PVC(Mould NO:WM-017)
⑧	CONN	1	DB 25P FEMALE SODDER TYPE PIN G/F SHELL NI-PLATED INSULATOR COLOR:BLUE
⑨	CONN	1	DB 25P MALE SODDER TYPE PIN G/F SHELL NI-PLATED INSULATOR COLOR:BLUE
⑩	CABLE	1	NOUL 30#(7/0.10)*25C+D+AL/NY OD:6.5mm JACKET BEIGE(V-29) L=2000±10MM

4

3

2

1

PIN ASSIGNMENT	
P1	P2
1	1
2	2
3	3
4	4
5	5
6	6
7	7
8	8
9	9
10	10
11	11
12	12
13	13
14	14
15	15
16	16
17	17
18	18
19	19
20	20
21	21
22	22
23	23
24	24
25	25
SHELL	SHELL

CNC Tech, LLC
 Industrial Cable and Connector Technology

DRAWN BY	ZHONGHS	DRAWING NO.	
CHECKED BY		CUSTOMER	
APPROVAL BY		ITEM NO.	710-10015-00200
DECIDE BY		DATE	2012-02-06
VERSIONS/EDITION	A/0	PROJECTION	