

## Excellent Integrated System Limited

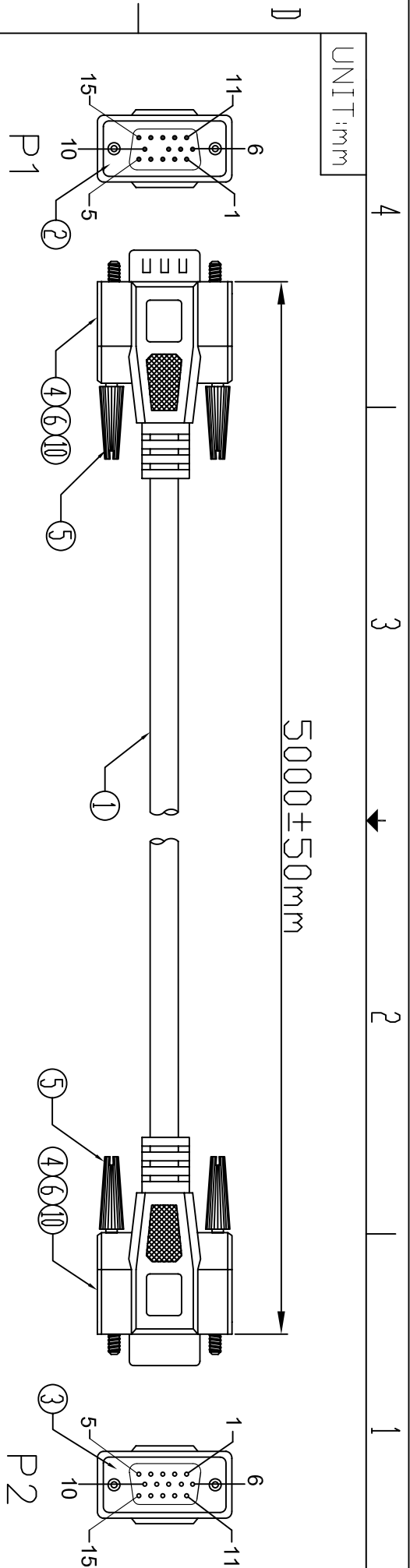
Stocking Distributor

Click to view price, real time Inventory, Delivery & Lifecycle Information:

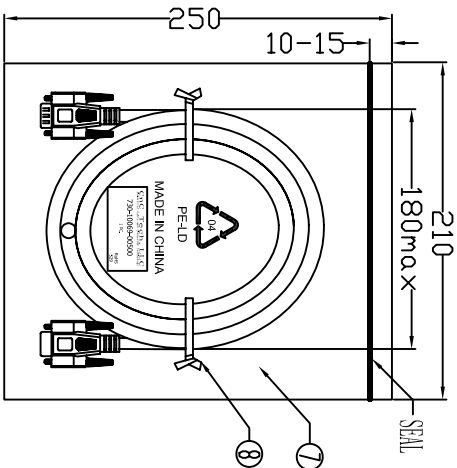
[CNC Tech](#)  
[730-10069-00500](#)

For any questions, you can email us directly:

[sales@integrated-circuit.com](mailto:sales@integrated-circuit.com)



Electronic Test:  
 1.100% Test,(Open,Short,Miss Wire)  
 2.Contact Resistance:3 ohm max.  
 3.Insulation Resistance:5M ohm min.  
 4.Hi-Pot:300V DC/10ms



**PIN ASSIGNMENT**

P1	1	Red	P2	1
	6			6
	2	GREEN		2
	7			7
	3	Blue		3
	8	Blue		8
	4	Brown		4
	5	Black		5
	13	GREEN		13
	14	RED		14
	10	ORANGE		10
	11	WHITE		11
	12	YELLOW		12
Shell		Braid	Shell	

NO.	NAME	Q'TY	SPECIFICATION
⑩	TUBE	14	HEAT SHRINK TUBE BLACK OD1.5* $L=15MM$ *2PCS,OD1.5* $L=10MM$ *6PCS,OD3.0* $L=8MM$ *6PCS, CLEAR SIZE:360*380*0.05mm PRINT BLACK*MADE IN CHINA*+5PCS* 及印生产周期,有透气孔.
⑨	PE BAG	1/5	CLEAR SIZE:210*250*0.05mm PRINT BLACK*MADE IN CHINA* 及印生产周期,有透气孔.
⑧	TIE	3	WHITE $L=250mm$
⑦	PE BAG	1	CLEAR SIZE:210*250*0.05mm PRINT BLACK*MADE IN CHINA* 及印生产周期,有透气孔.
⑥	COPPER FOIL	2	DOUBLE-SIDED CONDUCTIVE COPPER FOIL 18U" $W25mm$ * $L55mm$
⑤	SCREW	4	SCREW:#4-40UNC $L4.7mm$ ,NICKEL PLATED,INSULATION COLOR BEIGE(V-29)
④	OUT JACKET	43.5g	BEIGE(V-29) 40P PVC(MOULD NO:WM-113)
	IN JACKET	8g	CLEAR LDPE(MOULD NO:NM-049)
③	CONN	1	HDD15P FEMALE,PIN G/F-SHELL-NICKEL,INSULATION COLOR:BLACK. SOLDER TYPE.
②	CONN	1	HDD15P MALE,PIN G/F-SHELL-NICKEL,INSULATION COLOR:BLACK,MISSING 9PIN. SOLDER TYPE.
①	CABLE	1	UL2919 28AWG(1C+S)*3C0AX+24AWG(7/0.20 TC)*7C+AL/MY+DW(7/0.20 TC)+B(16/6/0.10)+ OUTER JACKET COROL:BEIGE(V-29) OD:8.5±0.15mm. $L=5000±20mm$ .

**CNC Tech, LLC**  
 Industrial Cable and Connector Technology

DRAWN BY	ZHONGHS	DRAWING NO.	
CHECKED BY		CUSTOMER	
APPROVAL BY		ITEM NO.	730-10069-00500
DECIDE BY		DATE	2012-02-17
VERSIONS/EDITEN	A/0	PROJECTION	