

Excellent Integrated System Limited

Stocking Distributor

Click to view price, real time Inventory, Delivery & Lifecycle Information:

[TXC CORPORATION](#)
[AUZ-32.768KBE-T](#)

For any questions, you can email us directly:

sales@integrated-circuit.com

SMD Oscillators- CMOS Output 3.2 x 2.5 x 1.0 mm AUZ Series



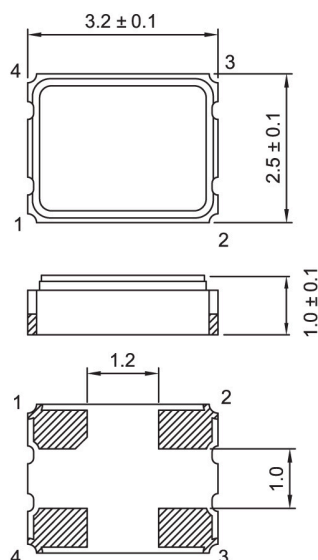
Features

- Ultra small SMD seam sealed clock crystal oscillator units.
- RoHS Compliant / Pb Free.

Electrical Specifications

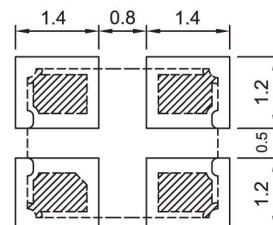
Item / Type	AUZ	
Output Type	CMOS	
Output Load	15 pF	30 pF
Oscillation Mode	Fundamental / 3rd Overtone	
Supply Voltage	1.8 V	2.5 V, 3.3 V
Frequency Range	32.768 KHz	
Frequency Stability	± 20 ppm , ± 50 ppm, ± 100 ppm	
Operating Temperature Range	-40 ~ + 85 °C	
Storage Temperature Range	- 55 ~ + 125 °C	
Voltage Vol (Max.) / Voh (Min.)	0.1 VDD / 0.9 VDD	
Rise (Tr) / Fall (Tf) Time	10 ns Max.	
Supply Current	4 mA Max.	6 mA Max.
Symmetry	45 ~ 55 %	
Start-up Time	10 ms Max.	
Phase Jitter (12 KHz ~ 20 MHz)	1 ps Max.	
Aging (at 25 °C)	± 3 ppm / year Max.	
Reliability Standard	AEC-Q100	

Dimensions



PAD FUNCTION:
 1:ENABLE CONTROL
 2:GND
 3:OUT
 4:VDD

Suggested Layout



Units: mm