

Excellent Integrated System Limited

Stocking Distributor

Click to view price, real time Inventory, Delivery & Lifecycle Information:

[KEMET](#)
[PME271Y447MR04](#)

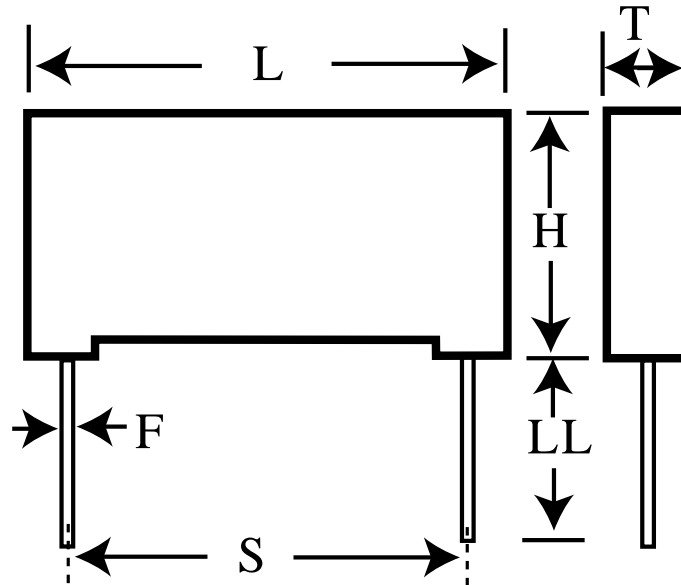
For any questions, you can email us directly:

sales@integrated-circuit.com

PME271Y447MR04

aka P271HL472M250CL40J

Capacitor, film, 4700 pF, +/-20% Tol, -40/+100C, Safety: Y2, 250VAC,
 Lead Spacing=10.2 mm



Dimensions (mm)

Specifications

ID	Dimension	Tolerance
L	13.5	max
H	10.5	max
T	5.1	max
S	10.2	+/-0.4
LL	4	nom
F	0.6	nom

Manufacturer:	KEMET
Brand:	Rifa
Capacitance:	4700 pF
Temperature Range:	-40/+100C
Rated Temperature:	100C
Voltage @ rated temp:	1000V
Voltage AC:	250VAC
Tolerance:	+/-20%
Body Type:	Radial Molded
Construction:	Wound
Application:	Safety: Y2
Dissipation Factor @ 1 kHz:	1.3%
Insulation Resistance:	12 GOhm
Maximum dVdT:	2000v/us
UL_1283:	250V
IEC_60384-14:	250V
EN_132400:	250V
C_22.2_NO.8:	250V
Miscellaneous Electrical:	fo= 24 MHz series(PME271Y)
Package Kind:	Bulk
Package Quantity:	1600