

Excellent Integrated System Limited

Stocking Distributor

Click to view price, real time Inventory, Delivery & Lifecycle Information:

[KEMET](#)

[PHE450SB4560JR06](#)

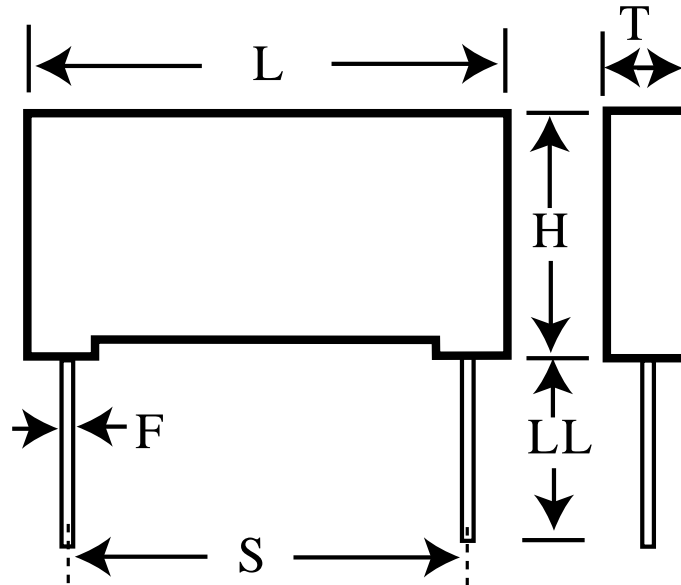
For any questions, you can email us directly:

sales@integrated-circuit.com

PHE450SB4560JR06

aka F450BD562J2K0C

Capacitor, film, 5600 pF, +/-5% Tol, -55/+105C, General Purpose, 2000V@85C, Lead Spacing=15 mm



Dimensions (mm)

Specifications

ID	Dimension	Tolerance
L	18	max
H	10.5	max
T	5.5	max
S	15	+/-0.4
LL	6	nom
F	0.8	nom

Manufacturer:	KEMET
Brand:	Rifa
Capacitance:	5600 pF
Temperature Range:	-55/+105C
Rated Temperature:	85C
Voltage @ rated temp:	2000V
Voltage AC:	700VAC
Tolerance:	+/-5%
Body Type:	Radial Box
Construction:	Double Metallized
Application:	General Purpose
Sub Application:	Pulse
Dissipation Factor @ 1 kHz:	0.03%
Dissipation Factor @ 10 kHz:	0.04%
Dissipation Factor @ 100kHz:	0.15%
Insulation Resistance:	100 GOhm
Inductance:	6 nH
Maximum dVdT:	2500v/us
Miscellaneous Electrical:	IEC 60384-17, Gr. 1.1; Rthha [85C/2.m/s] = 98 C/W series(PHE450)
Package Kind:	Bulk
Package Quantity:	1000