

## Excellent Integrated System Limited

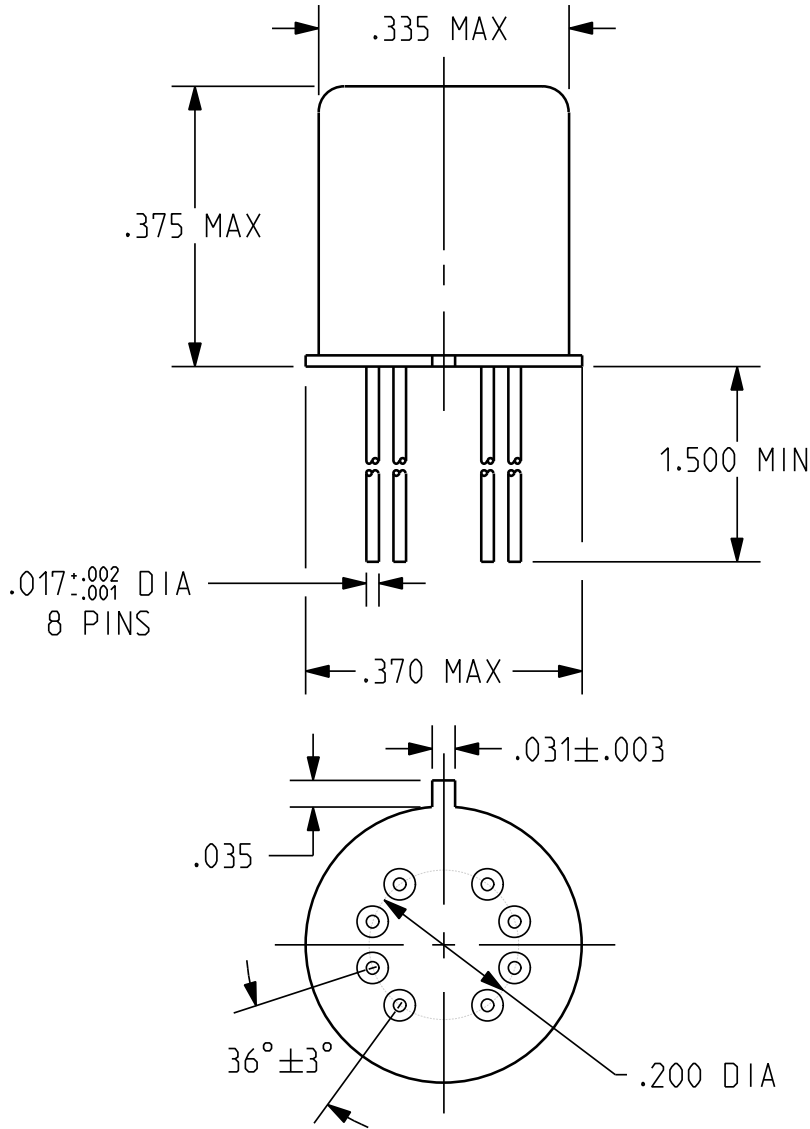
Stocking Distributor

Click to view price, real time Inventory, Delivery & Lifecycle Information:

[TE Connectivity Aerospace, Defense and Marine  
1617131-4](#)

For any questions, you can email us directly:

[sales@integrated-circuit.com](mailto:sales@integrated-circuit.com)



REV. A

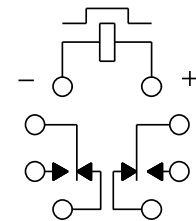
DCO 144374

COIL: @ 25°C	
RESISTANCE	3300 OHMS ±10%
NOMINAL VOLTAGE	26.5 VDC
MUST OPERATE	14.0 VDC
MUST RELEASE	8.0 VDC MAX., 1.4 VDC MIN.

ENVIRONMENT:	
VIBRATION	10 Hz TO 3000 Hz @ 30 g's
SHOCK	75 g's 6 MS. DURATION
TEMPERATURE	-65 °C TO +125 °C

NOTES:	OPERATE TIME 4 MS MAX.
	RELEASE TIME 2.0 MS MAX.
	CONTACT STABILIZATION TIME 2.0 MS MAX.

CUSTOMER DATA SHEET



CONTACT RATING: LOW LEVEL TO 1A  
28 VDC RESISTIVE 100,000 OPERATIONS

DR. B.D. 14AUG2007 CK. J.M.B. 8/15/07

**Tyco Electronics** ©COPYRIGHT 2005  
TYCO ELECTRONICS CORPORATION  
ALL INTERNATIONAL RIGHTS RESERVED

CUST. QPL  
CUST. NO. M39016/11-023M REV. \_\_\_\_\_

TYCO NUMBER  
ELECTRONICS  
1617131-4

CII PART NUMBER  
**JMSW -26XM**