

## **Excellent Integrated System Limited**

Stocking Distributor

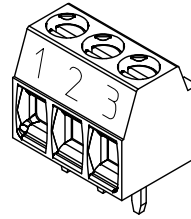
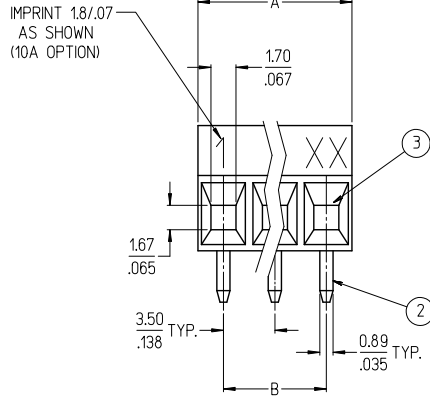
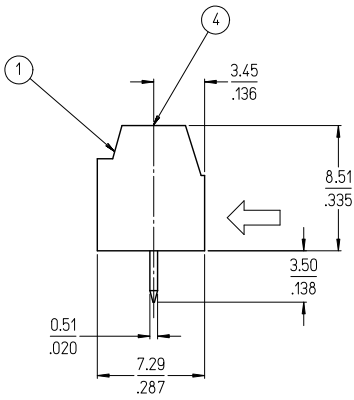
Click to view price, real time Inventory, Delivery & Lifecycle Information:

[Molex Connector Corporation](#)  
[0393590004](#)

For any questions, you can email us directly:

[sales@integrated-circuit.com](mailto:sales@integrated-circuit.com)

10 9 8 7 6 5 4 3 2 39357

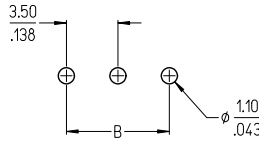


3 CIRCUIT AND 10A IMPRINTING OPTION SHOWN

NO. OF CIRCUITS 'XX'	DIM. 'A'		DIM. 'B'		MATERIAL NO.	MATERIAL NO. 10A IMPRINT
02	7.0	(.28)	3.50	(.138)	39357-0002	393590006
03	10.5	(.41)	7.00	(.276)	39357-0003	393590004
04	14.0	(.55)	10.50	(.413)	39357-0004	
05	17.5	(.69)	14.00	(.551)	39357-0005	393590003
06	21.0	(.83)	17.50	(.689)	39357-0006	
07	24.5	(.96)	21.00	(.827)	39357-0007	
08	28.0	(1.10)	24.50	(.965)	39357-0008	
09	31.5	(1.24)	28.00	(1.102)	39357-0009	
10	35.0	(1.38)	31.50	(1.240)	39357-0010	
11	38.5	(1.52)	35.00	(1.378)	39357-0011	
12	42.0	(1.65)	38.50	(1.516)	39357-0012	
13	45.5	(1.79)	42.00	(1.654)	39357-0013	
14	49.0	(1.93)	45.50	(1.791)	39357-0014	
15	52.5	(2.07)	49.00	(1.929)	39357-0015	
16	56.0	(2.20)	52.50	(2.067)	39357-0016	
17	59.5	(2.34)	56.00	(2.205)	39357-0017	
18	63.0	(2.48)	59.50	(2.343)	39357-0018	
19	66.5	(2.62)	63.00	(2.480)	39357-0019	
20	70.0	(2.76)	66.50	(2.618)	39357-0020	
21	73.5	(2.89)	70.00	(2.756)	39357-0021	
22	77.0	(3.03)	73.50	(2.894)	39357-0022	
23	80.5	(3.17)	77.00	(3.031)	39357-0023	
24	84.0	(3.31)	80.50	(3.169)	39357-0024	
25	87.5	(3.44)	84.00	(3.307)	39357-0025	

NOTES:

1. MATERIAL: SEE TABLE
2. FINISHES: SEE TABLE
3. ASSEMBLY IS ROHS COMPLIANT BY EXEMPTION. COMPONENTS MARKED WITH AN ASTERISK (\*) ARE ROHS COMPLIANT BY EXEMPTION. ALL OTHERS ARE ROHS COMPLIANT.



ITEM	QTY.	DESCRIPTION	MATERIAL	FINISH
4	XX	SCREW, M2	COPPER ALLOY	NICKEL
3	XX	CAGE CLAMP (*)	COPPER ALLOY	NICKEL
2	XX	TERMINAL, PC	COPPER ALLOY	TIN
1	1	INSULATOR	POLYAMIDE	BLACK

ADD MATERIAL NO. EC NO: WNA/2011-0328 DRAWN BY: CLYORK CHECKED BY: CHKDDTITUS APPROVED BY: APPREDDTITUS DATE: 2010/12/10 DATE: 2010/12/15	QUALITY SYMBOLS ▽=0 ▽=0	GENERAL TOLERANCES (UNLESS SPECIFIED)		DIMENSION STYLE MM/IN		SCALE 1:1	DESIGN UNITS INCH	THIRD ANGLE PROJECTION		
		4 PLACES ± .005 ± .0005	3 PLACES ± .005 ± .0010	2 PLACES ± 0.13 ± .010	1 PLACE ± 0.3 ± .010	DRAWN BY: CLYORK DATE: 2010/12/10	CHECKED BY: DTITUS DATE: 2010/12/10	TITLE 3.5MM EUROSTYLE LOW, SINGLE ROW FIXED BLOCK		
		ANGULAR ± 2°				APPROVED BY: DTITUS DATE: 2010/12/15	MATERIAL NO. SEE CHART			
		DRAFT WHERE APPLICABLE MUST REMAIN WITHIN DIMENSIONS				MATERIAL NO. SEE CHART	DOCUMENT NO. SD-39357-001	SHEET NO. 1 OF 1		