

## Excellent Integrated System Limited

Stocking Distributor

Click to view price, real time Inventory, Delivery & Lifecycle Information:

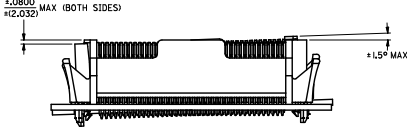
[Molex Connector Corporation](#)  
[0442450050](#)

For any questions, you can email us directly:

[sales@integrated-circuit.com](mailto:sales@integrated-circuit.com)

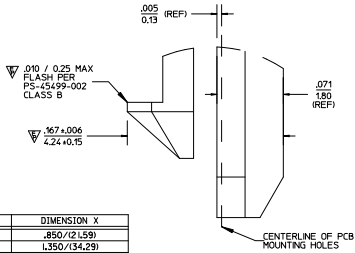
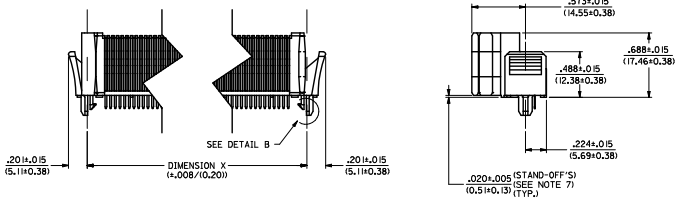
**NOTES:**

1. MATERIAL: HOUSING: GLASS FILLED POLYESTER, UL 94V-0; COLOR - BLACK CONTACTS: COPPER ALLOY
2. FINISH: .000030/(0.00076) MIN. GOLD ON CONTACTS, .000080/(0.00203) MIN. TIN ON SOLDER TAILS; OVER .000950/(0.00271) MIN. NICKEL OVERALL.
3. PRODUCT SPECIFICATION: PS-44245-999.
4. PACKAGING INFORMATION: PK-44245-001.
5. MATES WITH SELF-HERMAPHRODITIC MATE: PROTECTIVE COVERS: 44783-000 THRU -0060 (AVAILABLE AS ACCESSORY ITEMS).
6. THE HOLES FOR THE BOARD LOCKS SHALL NOT BE PLATED THRU.
7. COPPER TRACES NOT RECOMMENDED BENEATH THE STAND-OFF'S.
8. THIS PART CONFORMS TO CLASS B REQUIREMENTS OF COSMETIC SPEC PS-45499-002.

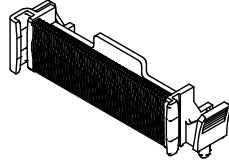


**VIEW A-A**

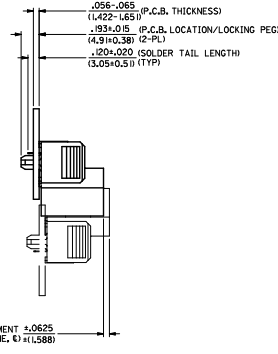
(ALLOWANCE FOR ANGULAR MISALIGNMENT) (BOTH LIMIT CONDITIONS MUST BE MET)



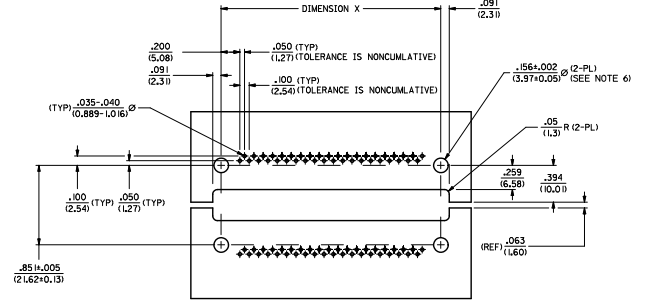
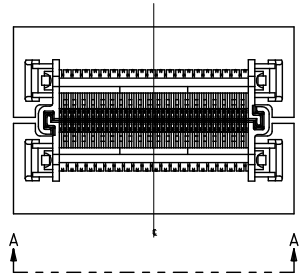
**DETAIL B**  
(SCALE 20x)



ISOMETRIC PROJECTION OF 442450040 (FORTY CIRCUITS)



MAXIMUM LINEAR MISALIGNMENT ±.0625 (TAKE THIS MEASUREMENT AT THE CENTERLINE, C±1(L588))



**RECOMMENDED LAYOUT FOR P.C.B.'S**  
(FORTY CIRCUIT CONFIGURATION IS PROTRAYED)

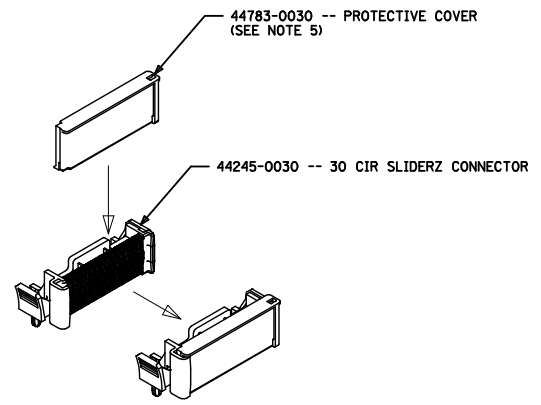
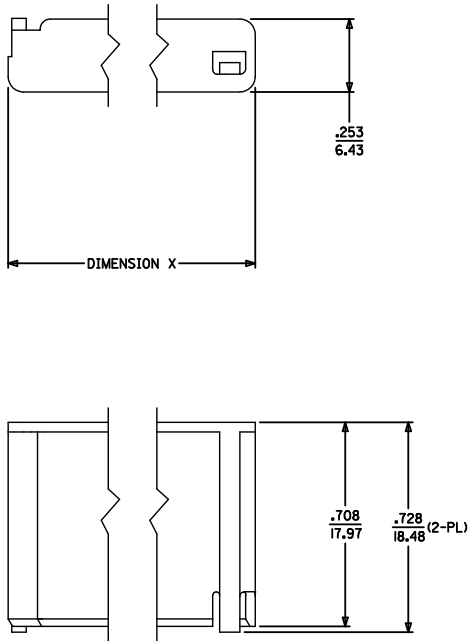
MATERIAL NUMBER	CIRCUIT SIZE	DIMENSION X
442450010	10	.850/(21.59)
442450020	20	1.350/(34.29)
442450030	30	1.850/(46.99)
442450040	40	2.350/(59.69)
442450050	50	2.850/(72.39)
442450060	60	3.350/(85.09)

QUALITY SYMBOLS	GENERAL TOLERANCES (UNLESS SPECIFIED)		DIMENSION STYLE		SCALE	DESIGN UNITS	THIRD ANGLE PROJECTION
	mm	INCH	IN/MM	IN/MM	2:1	INCH	
∇=0	4 PLACES ±.005	±.0003	DRAWN BY	DATE	PELOZA	1999/01/25	SLIDERZ PASS THRU CONNECTOR ASSEMBLY HERMAPHRODITIC MATE
∇=1	3 PLACES ±.008	±.010	CHECKED BY	DATE	PELOZA	1999/01/25	
∇=2	1 PLACE ±.025	±.031	APPROVED BY	DATE	FSMITH	2010/12/23	MOLEX INCORPORATED
	ANGULAR ±1/2°		DRAFT WHERE APPLICABLE MUST REMAIN WITHIN DIMENSIONS		SEE CHART		DOCUMENT NO. SD-44245-002
							SHEET NO. 1 OF 1

STATUS	MATERIAL NUMBER	DIMENSION X	DESCRIPTION
AVAILABLE	447830010	.856"/21.74mm	PROTECTIVE COVER FOR THE 10 CIRCUIT SLIDERZ
OBSOLETE	447830020	1.356"/34.44mm	PROTECTIVE COVER FOR THE 20 CIRCUIT SLIDERZ
OBSOLETE	447830030	1.856"/47.14mm	PROTECTIVE COVER FOR THE 30 CIRCUIT SLIDERZ
OBSOLETE	447830040	2.356"/59.84mm	PROTECTIVE COVER FOR THE 40 CIRCUIT SLIDERZ
OBSOLETE	447830050	2.856"/72.54mm	PROTECTIVE COVER FOR THE 50 CIRCUIT SLIDERZ
OBSOLETE	447830060	3.356"/85.24mm	PROTECTIVE COVER FOR THE 60 CIRCUIT SLIDERZ

NOTES:

1. MATERIAL: 66 NYLON, COLOR = BLACK.
2. FINISH: NOT APPLICABLE.
3. PRODUCT SPECIFICATION: NOT APPLICABLE.
4. DIMENSIONS AND FEATURES PLACED ACROSS A CENTERLINE TO BE SYMMETRIC ABOUT THAT CENTERLINE TO WITHIN .004"/0.10mm TOTAL.
5. THE PROTECTIVE COVER IS CAREFULLY PUSHED ONTO THE SLIDERZ CONNECTOR UNTIL THE LATCHING MEMBERS ENGAGE, WHICH IS SIGNALLED BY A "SNAP".



ISOMETRIC PROJECTION OF 44783 AND ITS APPLICATION (NO SCALE)

REMOVE 20-60CKT EC NO: UCF2016-0581 DRAWN: JONIT CHK: RANDESON APPR: SMITH 2015/08/06 2015/08/06 2015/08/13	QUALITY SYMBOLS	GENERAL TOLERANCES (UNLESS SPECIFIED)	DIMENSION STYLE	SCALE	DESIGN UNITS	THIRD ANGLE PROJECTION
	4 PLACES ± --- ± --- 3 PLACES ± --- ± .010 2 PLACES ± 0.25 ± .015 1 PLACE ± 0.38 ± --- 0 PLACE ± ±	IN/MM DRAWN BY: PELOZA CHECKED BY: PELOZA APPROVED BY: PELOZA DATE: 2000/08/16 DATE: 2000/08/16 DATE:	4:1	INCH	TITLE: PROTECTIVE COVER FOR SLIDERZ molex DOCUMENT NO: SD-44783-001 SHEET NO: 1 OF 1	
	ANGULAR ± 1 ° DRAFT WHERE APPLICABLE MUST REMAIN WITHIN DIMENSIONS	MATERIAL NO. SEE CHART	THIS DRAWING CONTAINS INFORMATION THAT IS PROPRIETARY TO MOLEX INCORPORATED AND SHOULD NOT BE USED WITHOUT WRITTEN PERMISSION			
	REV	DESCRIPTION	SIZE			