



Distributor of Molex Connector Corporation: Excellent Integrated System Limited
Datasheet of 0476230001 - Connector Receptacle DisplayPort 20 Position Surface Mount,
Right Angle, Horizontal

Contact us: sales@integrated-circuit.com Website: www.integrated-circuit.com

Excellent Integrated System Limited

Stocking Distributor

Click to view price, real time Inventory, Delivery & Lifecycle Information:

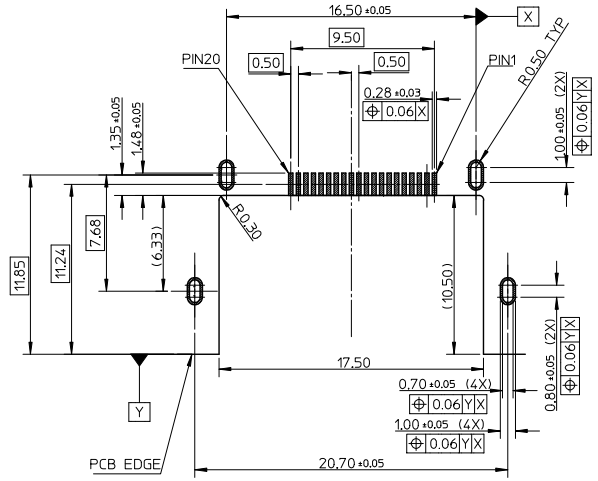
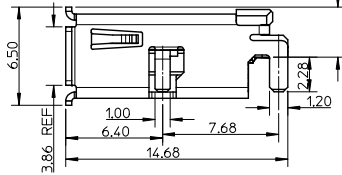
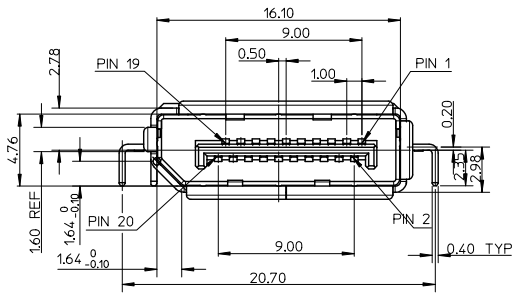
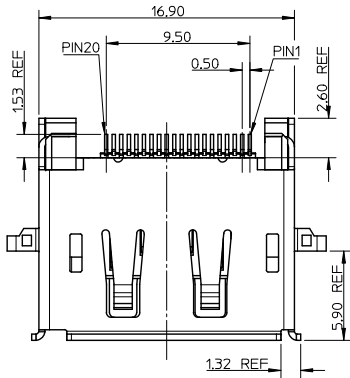
[Molex Connector Corporation](#)
[0476230001](#)

For any questions, you can email us directly:
sales@integrated-circuit.com

Contact us: sales@integrated-circuit.com Website: www.integrated-circuit.com

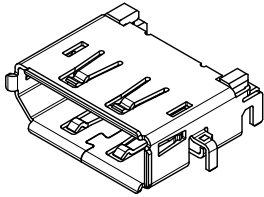
NOTES:

1. MATERIAL:
HOUSING: HIGH TEMPERATURE THERMAL PLASTIC, BLACK, 30% GLASS FILLED, UL94V-0.
TERMINAL: COPPER ALLOY.
SHELL: COPPER ALLOY.
2. PLATING:
TERMINAL: CONTACT AREA 0.76 MICROMETER GOLD PLATING AND SOLDER TAIL 1-3 MICROMETER
MATT TIN UNDER PLATE 1 MICROMETER MIN, NICKEL PLATING OVERALL.
SHELL: 1.27-2.54 MICROMETER SOLDERABLE NICKEL PLATING OVERALL.
3. SOLDER TAIL COPLANARITY 0.10 MAX.



RECOMMENDER PCB LAYOUT THICKNESS 1.56+0.05

TOP VIEW



REVISED EC NO: SH2015-0016 DRAWN: RZHANG CHK: RZHANG APP: ATIN	DESCRIPTION 2014/07/29 2014/07/29 2014/08/13	QUALITY SYMBOLS ▽=0 ▽=0 ▽=0	GENERAL TOLERANCES (UNLESS SPECIFIED)		DIMENSION STYLE MM ONLY		SCALE 1:1	DESIGN UNITS METRIC	THIRD ANGLE PROJECTION		
			mm	INCH	DRAWN BY HHE	DATE 2007/08/14	TITLE 1.0MM MIDDLE PLANE DISPLAY PORT HEADER ASSEMBLY	MOLEX INCORPORATED			
REV B			4 PLACES ± --- ± ---	3 PLACES ± --- ± ---	2 PLACES ± 0.25 ± ---	1 PLACE ± 0.25 ± ---	APPROVED BY HWANG	DATE 2007/08/14	MATERIAL NO. 476230001	DOCUMENT NO. SD-47623-001	SHEET NO. 1 OF 1
			ANGULAR ± 3°		DRAFT WHERE APPLICABLE MUST REMAIN WITHIN DIMENSIONS		THIS DRAWING CONTAINS INFORMATION THAT IS PROPRIETARY TO MOLEX INCORPORATED AND SHOULD NOT BE USED WITHOUT WRITTEN PERMISSION				