



**Distributor of Molex Connector Corporation: Excellent Integrated System Limited**  
Datasheet of 0476238001 - Connector Receptacle DisplayPort 20 Position Surface Mount,  
Right Angle, Horizontal

Contact us: [sales@integrated-circuit.com](mailto:sales@integrated-circuit.com) Website: [www.integrated-circuit.com](http://www.integrated-circuit.com)

---

## **Excellent Integrated System Limited**

Stocking Distributor

Click to view price, real time Inventory, Delivery & Lifecycle Information:

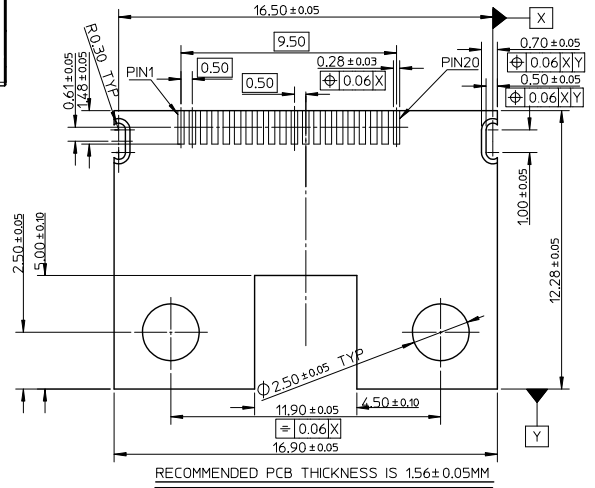
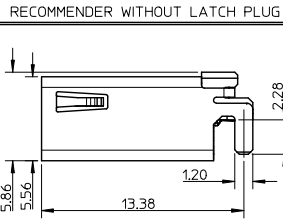
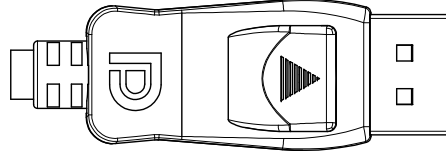
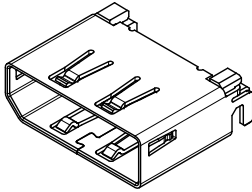
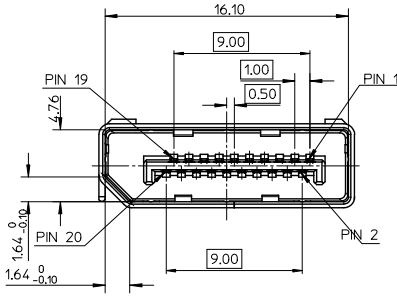
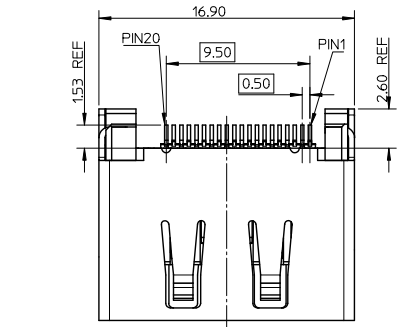
[Molex Connector Corporation](#)  
[0476238001](#)

For any questions, you can email us directly:  
[sales@integrated-circuit.com](mailto:sales@integrated-circuit.com)

Contact us: sales@integrated-circuit.com Website: www.integrated-circuit.com

NOTES:

- MATERIAL:  
HOUSING: NYLON46 30% GLASS FILLED, UL94V-0,COLOR:MOON GREY 3  
TERMINAL: COPPER ALLOY.  
SHELL: COPPER ALLOY.
- PLATING:  
TERMINAL: CONTACT AREA 0.76 MICROMETER GOLD PLATING AND SOLDER TAIL 1-3 MICROMETER TIN BISMUTH UNDER PLATE1-3 MICROMETER NICKEL PLATING OVERALL.  
SHELL:1.27~2.54 MICROETER SOLDERABLE NICKEL PLATING OVERALL.
- SOLDERTAIL COPLANARITY 0.10 MAX.
- THIS PRODUCT COMPLIANT TO ROHS DIRECTIVE 2002/95/EC AND ELV DIRECTIVE 2000/53/EC



NEW RELEASE EC NO: SH2009-0308 DRAWN BY: 2008/11/18 CHKORZHANG APPR:HWANG 2008/11/25	QUALITY SYMBOLS ▽=0 ▽=0	GENERAL TOLERANCES (UNLESS SPECIFIED)		DIMENSION STYLE MM ONLY		SCALE 1:1	DESIGN UNITS METRIC	THIRD ANGLE PROJECTION			
		4 PLACES ± --- ± ---	3 PLACES ± --- ± ---	2 PLACES ± 0.20 ± ---	1 PLACE ± 0.20 ± ---	ANGULAR ± 3 °	DRAWN BY HHE DATE 2007/08/14	CHECKED BY RZHANG DATE 2007/08/14	TITLE 1.0MM MIDDLE PLANE DISPLAY PORT HEADER ASSEMBLY		
		DRAFT WHERE APPLICABLE MUST REMAIN WITHIN DIMENSIONS					APPROVED BY HWANG DATE 2007/08/14	MOLEX INCORPORATED			
		MATERIAL NO. 47623-8001		DOCUMENT NO. SD-47623-002		SHEET NO. 1 OF 1					