

Excellent Integrated System Limited

Stocking Distributor

Click to view price, real time Inventory, Delivery & Lifecycle Information:

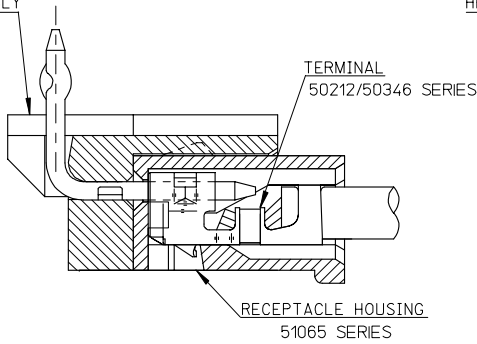
[Molex Connector Corporation](#)
[0532541270](#)

For any questions, you can email us directly:

sales@integrated-circuit.com

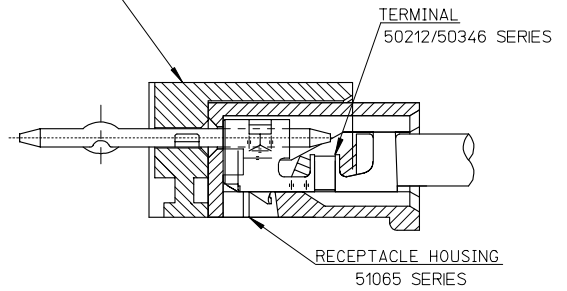
10 9 8 7 6 5 4 3 2 1

HEADER HOUSING ASSEMBLY
53254SERIES

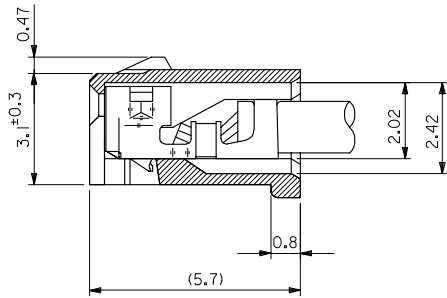


51065シリーズ/53254シリーズ 嵌合状態図 参考
51065 SERIES/53254 SERIES MATED DRAWING (REF.)

HEADER HOUSING ASSEMBLY
53253SERIES



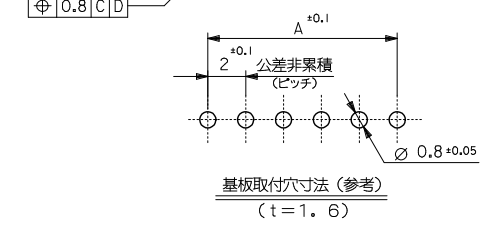
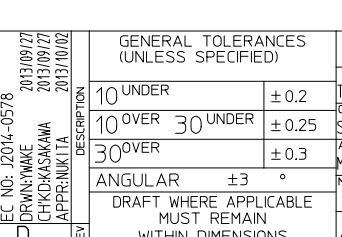
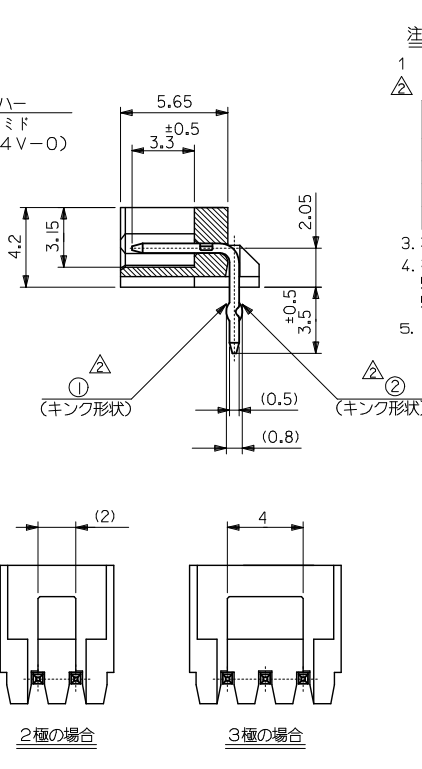
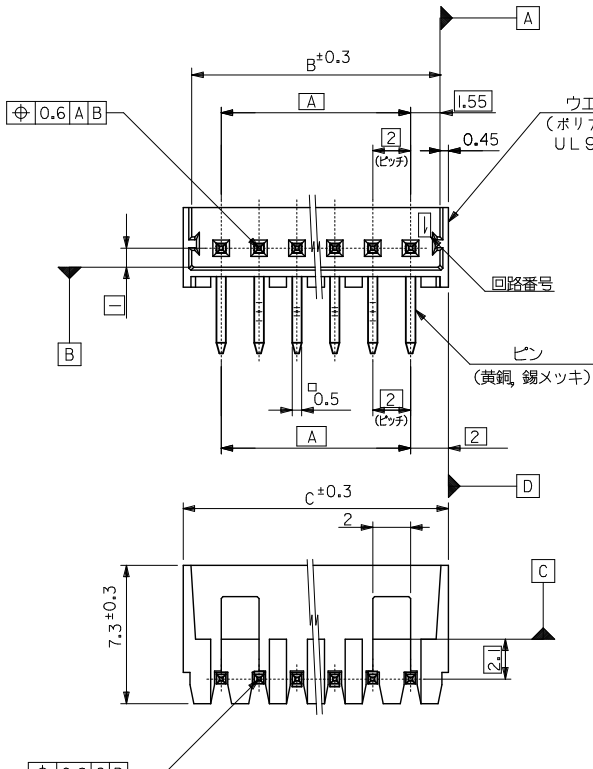
51065シリーズ/53253シリーズ 嵌合状態図 参考
51065 SERIES/53253 SERIES MATED DRAWING (REF.)



ターミナル装着状態図
TERMINAL ASS'Y DWG.

RELEASED EC NO: J2008-2041 DRAWN BY: AOYAGI CHKD: HARUYAMA APP: NIKITA 2007/11/21 2007/11/22 2007/11/22	GENERAL TOLERANCES (UNLESS SPECIFIED)		DIMENSION STYLE MM ONLY	SCALE 10:1	DESIGN UNITS METRIC	THIRD ANGLE PROJECTION
	10 UNDER	±0.2	DRAWN BY Y. AOYAGI	DATE 2007/11/13	TITLE NEW 2.0 W/B CONN. 51065/53253OR51065/53254	
	10 OVER 30 UNDER	±0.25	CHECKED BY N. UKITA	DATE 2007/11/13	MOLEX INCORPORATED DOCUMENT NO. SD-51065-006 SHEET NO. 1 OF 1	
	30 OVER	±0.3	APPROVED BY N. UKITA	DATE 2007/11/13		
0	ANGULAR	±1 °	MATERIAL NO.	SEE TABLE		
	DRAFT WHERE APPLICABLE MUST REMAIN WITHIN DIMENSIONS		THIS DRAWING CONTAINS INFORMATION THAT IS PROPRIETARY TO MOLEX INCORPORATED AND SHOULD NOT BE USED WITHOUT WRITTEN PERMISSION			

10 9 8 7 6 5 4 3 2 1



注記

- 嵌合相手: 51065シリーズ
- キョクは下記表の位置及び形状に付加のこと。2極はキョク無し。
- 本製品は、53254-**-**10の鉛フリー品です。
- 梱包仕様 PACKAGING
53254-**-**70 トレー TRAY
53254-**-**50 ポリ袋 POLYBAG
- ELV 及び RoHS 適合品
ELV AND RoHS COMPLIANT

極数	回路番号	1	2	3	4	5	N-2	N-1	N
6極以上		—	①	②	—	—	②	①	—
5極		①	②	—	②	①			
4極		①	②	②	①				
3極		①	②	①					

32	31.1	28	53254-1550	53254-1570	15
30	29.1	26	-1450	-1470	14
28	27.1	24	-1350	-1370	13
26	25.1	22	-1250	-1270	12
24	23.1	20	-1150	-1170	11
22	21.1	18	-1050	-1070	10
20	19.1	16	-0950	-0970	9
18	17.1	14	-0850	-0870	8
16	15.1	12	-0750	-0770	7
14	13.1	10	-0650	-0670	6
12	11.1	8	-0550	-0570	5
10	9.1	6	-0450	-0470	4
8	7.1	4	-0350	-0370	3
6	5.1	2	53254-0250	53254-0270	2
C	B	A	MATERIAL NO.	MATERIAL NO.	極数
			MODEL NO.	53254-**-**70/**50	

REVISED EC NO. J2014-0578 DRAWN: MAKE 2013/09/27 CHKD: KAKAWA 2013/09/27 APPR: NIKITA 2013/10/02	GENERAL TOLERANCES (UNLESS SPECIFIED)		DIMENSION STYLE MM ONLY		SCALE 5:1	DESIGN UNITS METRIC	THIRD ANGLE PROJECTION
	10 UNDER	±0.2	DRAWN BY TTSUBOI	DATE '04/01/15	NEW 2.0 WIRE TO BOARD CONN. WAFER ASSY R/A -LEAD FREE- molex SD-53254-001		
	10 OVER 30 UNDER	±0.25	CHECKED BY SMARUYAM	DATE '04/01/15			
	30 OVER	±0.3	APPROVED BY MSASAO	DATE '04/01/15			
ANGULAR	±3 °	MATERIAL NO.	DOCUMENT NO.				
DRAFT WHERE APPLICABLE MUST REMAIN WITHIN DIMENSIONS		SIZE A3	SEE CHART		THIS DRAWING CONTAINS INFORMATION THAT IS PROPRIETARY TO MOLEX INCORPORATED AND SHOULD NOT BE USED WITHOUT WRITTEN PERMISSION		

9 8 7 6 5 4 3 2 1