

Excellent Integrated System Limited

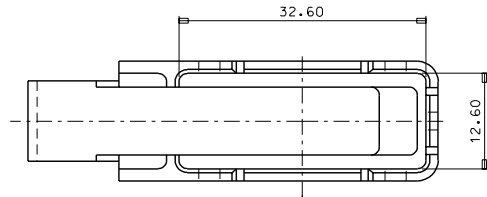
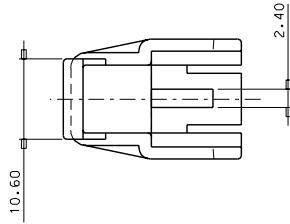
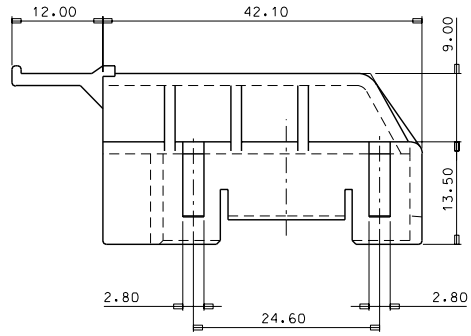
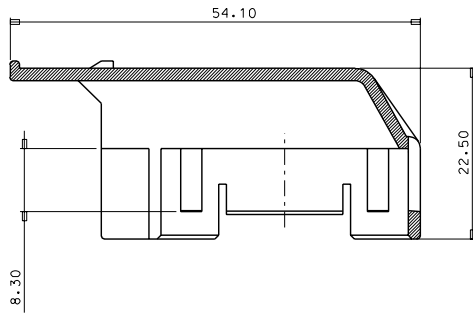
Stocking Distributor

Click to view price, real time Inventory, Delivery & Lifecycle Information:

[Molex Connector Corporation](#)
[0685030101](#)

For any questions, you can email us directly:

sales@integrated-circuit.com



NOTES

- 1. MATERIAL : POLYESTER ,BLACK
- 2. APPLICATION : OBD M/HSG I6P (ENG. NO.:68503-1602)

NO. 685030101		68503-0101		MATERIAL NO.		ENG. NO.		SCALE 2:1		DESIGN UNITS <input checked="" type="checkbox"/> MM <input type="checkbox"/> INCH		THIRD ANGLE PROJECTION <input checked="" type="checkbox"/>		DIMENSIONS: <input type="checkbox"/> MM <input type="checkbox"/> INCH <input checked="" type="checkbox"/> MM ONLY		SHT		REV	
RELEASE TO MANUFACTURING		EC NO.: K0R2002-0057		DRWN: H.C.RHO 2001/12/29		CHK: H.C.RHO 2001/12/29		APPR: C.W.LEE 2001/12/29		DRAWN BY & DATE		TITLE:		MOLEX INCORPORATED KOREA		SHEET NO.		REV	
MAJOR		QUALITY SYMBOLS		GENERAL TOLERANCES: (UNLESS SPECIFIED)		4 PLACES ±0. ±		3 PLACES ±0. ±		CHECKED BY & DATE		H.C.RHO 011229		APPROVED BY & DATE		C.W.LEE 011229		CAD FILENAME	
CRITICAL		C		ANGULAR: ± 1°		DRAFT WHERE APPLICABLE MUST REMAIN WITHIN DIMENSIONS		THIS DRAWING CONTAINS INFORMATION THAT IS PROPRIETARY TO MOLEX INCORPORATED AND SHOULD NOT BE USED WITHOUT WRITTEN PERMISSION.		MATERIAL NO.		DRAWING NO.		SD-68503-005		1 OF 1		SIZE B	
REV		A		SOBDCOV		SEE TABLE		MX-A3											

DO NOT SCALE DRAWING DIMENSION IN METRIC

PROJECT NO. SD-68503-005

SIMILAR ITEM

PROJECT NO. SD-68503-005

8 7 6 5 4 3 2 1