

Excellent Integrated System Limited

Stocking Distributor

Click to view price, real time Inventory, Delivery & Lifecycle Information:

[Molex Connector Corporation](#)

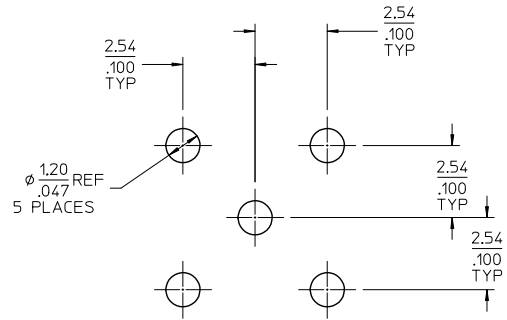
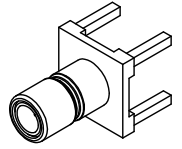
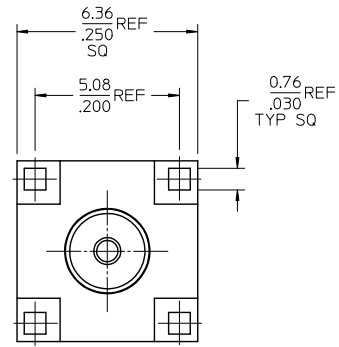
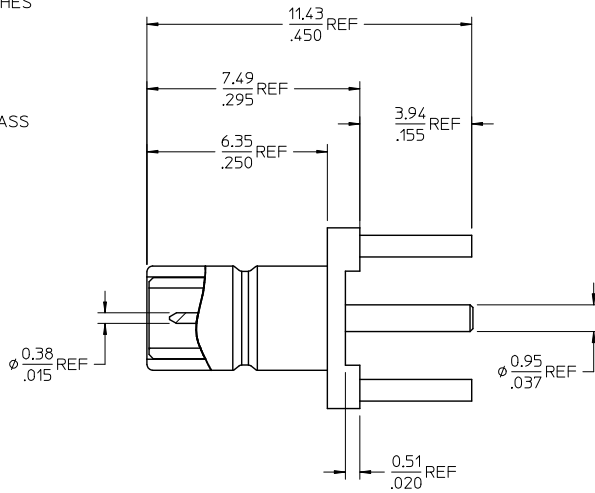
[0731000157](#)

For any questions, you can email us directly:

sales@integrated-circuit.com

MATERIALS AND FINISHES

- BODY BRASS
- PLATED GOLD
- CENTER CONTACT BRASS
- PLATED GOLD
- INSULATOR TEFLON
- PACKAGING: TRAY



RECOMMENDED PCB MOUNTING HOLE

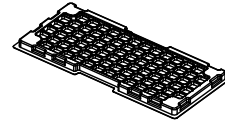
PART # 73100-0157

PS-73598-0093	PRODUCT SPECIFICATION
SPECIFICATION	DESCRIPTION

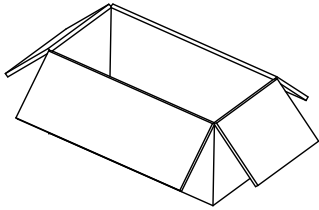
ADDED PACKAGE PER RF-15-E154 EC NO: URF-2015-0511 DRAWN BY: DRINKELIN CHKD: APPR: TCHENG 2015/03/16 2015/04/21 DESCRIPTION	QUALITY SYMBOLS	GENERAL TOLERANCES (UNLESS SPECIFIED)	DIMENSION STYLE	SCALE	DESIGN UNITS	THIRD ANGLE PROJECTION	
	▽=0 ▽=0	mm INCH 4 PLACES ± --- ± --- 3 PLACES ± --- ± --- 2 PLACES ± --- ± --- 1 PLACE ± --- ± --- ANGULAR ± 2 °	MM/IN		METRIC		
	DRAFT WHERE APPLICABLE MUST REMAIN WITHIN DIMENSIONS	DRAWN BY: 1995/03/13 CHECKED BY: 1995/03/13 APPROVED BY: 1995/03/13	MATERIAL NO. 731000157 SIZE C	TITLE: SMB JACK, VERTICAL PCB 75 OHMS SMB-J/PCB MOLEX INCORPORATED			
				DOCUMENT NO. SD-73100-0157 SHEET NO. 1 OF 2			



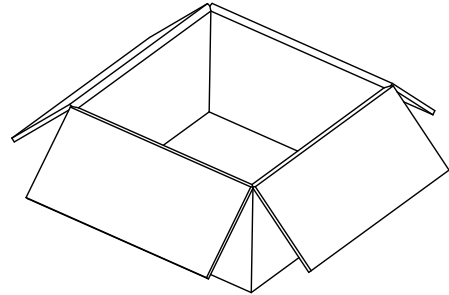
P/N: 73100-0157



80 SET PER TRAY
P/N: 89707-0190



1360 SET PER INNER CARTON BOX
P/N: 96707-0001



2720 SET PER OUTER CARTON BOX
P/N: 96708-0005

SEE SHEET 1 IEC NO: URF2015-0511 DRAWN BY: DRW:LIN CHKD: APPR:Y.CHENG 2015/03/16 2015/04/21	QUALITY SYMBOLS	GENERAL TOLERANCES (UNLESS SPECIFIED)	DIMENSION STYLE	SCALE	DESIGN UNITS	THIRD ANGLE PROJECTION
	▽=0	mm INCH	MM/IN	1:5	METRIC	☉
	▽=0	4 PLACES ± --- ± ---	DRAWN BY DATE	TITLE		
	▽=0	3 PLACES ± --- ± ---	CHECKED BY DATE	SMB JACK, VERTICAL PCB		
▽=0	2 PLACES ± --- ± ---	1 PLACE ± --- ± ---	APPROVED BY DATE	75 OHMS		
▽=0	1 PLACE ± --- ± ---	0 PLACE ± --- ± ---	FIELDS DATE	SMB-J/PCB		
REV	DESCRIPTION	ANGULAR ± 2 °	MATERIAL NO.	DOCUMENT NO.	SHEET NO.	
B2		DRAFT WHERE APPLICABLE MUST REMAIN WITHIN DIMENSIONS	SEE SHEET 1	SD-73100-0157	2 OF 2	
			SIZE C	THIS DRAWING CONTAINS INFORMATION THAT IS PROPRIETARY TO MOLEX INCORPORATED AND SHOULD NOT BE USED WITHOUT WRITTEN PERMISSION		