

Excellent Integrated System Limited

Stocking Distributor

Click to view price, real time Inventory, Delivery & Lifecycle Information:

[Molex Connector Corporation](#)
[0732511000](#)

For any questions, you can email us directly:

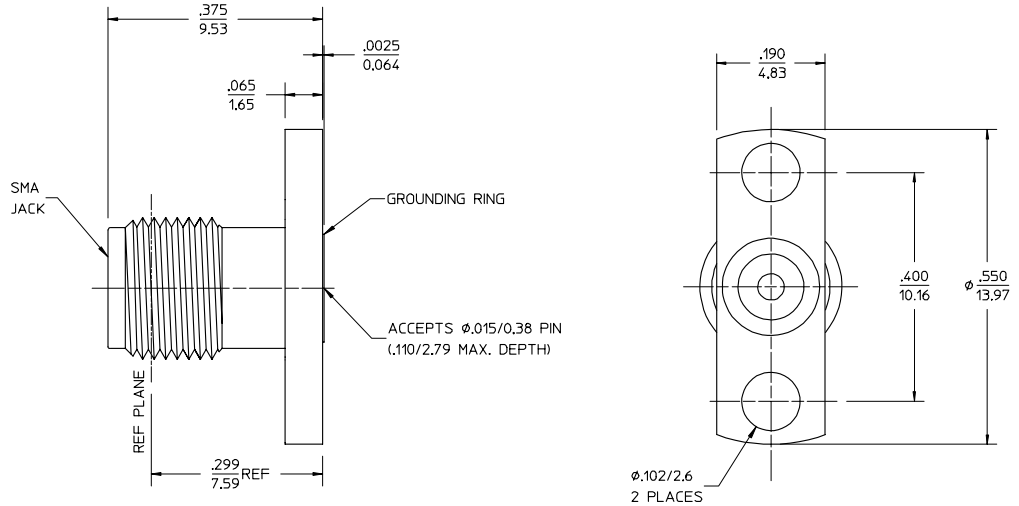
sales@integrated-circuit.com

SD-73251-100

MATERIALS AND FINISHES:
BODY STAINLESS STEEL
PASSIVATED

CENTER CONTACT BERYLLIUM COPPER
PLATED GOLD

INSULATOR TEFLON



PART # 73251-1000

MIL-STD-348, FIGURE 310-2	INTERFACE
PS-89675-2910	ELECTRO/MECH PERFORMANCE
SPECIFICATION	DESCRIPTION

CHG: NEW RELEASE EC NO: URF-0233 DRWN: TEF 06/21/99 CHK: DHG 06/21/99 APPR: GMH 06/21/99	REV DESCRIPTION A	UNLESS OTHERWISE SPECIFIED DIMS ARE INCHES AND ANGLES ARE DEGREES. 1. ✓ 63 ALL OVER. 2. NO CHATTER OR NON-UNIFORM SURFACE FINISH ALLOWED. 3. PARTS TO BE FREE OF BURRS & SHARP EDGES .005 MAX BREAK. 4. EXTERNAL THREADS TO BE ROLLED OR SINGLE POINT. 5. DIAMETERS TO BE CONCENTRIC WITHIN .003 TIR.	QUALITY SYMBOLS MAJOR CRITICAL	GENERAL TOLERANCES: (UNLESS SPECIFIED) mm INCH		SCALE DRAWN BY & DATE EDC 02/19/99 CHECKED BY & DATE DHG 02/19/99 APPROVED BY & DATE GMH 02/19/99	DESIGN UNITS mm INCH	THIRD ANGLE PROJECTION	DIMENSIONS: mm INCH	TITLE: SMA JACK, RECEPTACLE, 2 HOLE FLANGE MOUNT, ACCEPTS .015 DIA PIN SMA-JR/F	MOLEX INCORPORATED	MATERIAL NO. SEE NOTE	DRAWING NO. SD-73251-100	SHEET NO. 1 of 1	SIZE B
				DRAFT WHERE APPLICABLE MUST REMAIN WITHIN DIMENSIONS											

UBORD.DGN REV A
96/06/12 LEVEL 4