

Excellent Integrated System Limited

Stocking Distributor

Click to view price, real time Inventory, Delivery & Lifecycle Information:

[Molex Connector Corporation](#)

[0732511350](#)

For any questions, you can email us directly:

sales@integrated-circuit.com

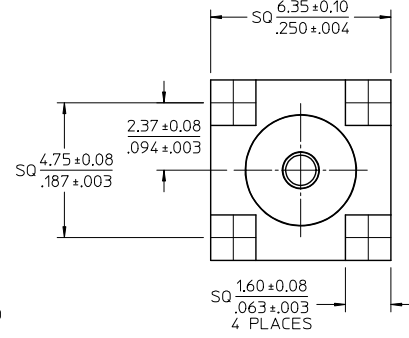
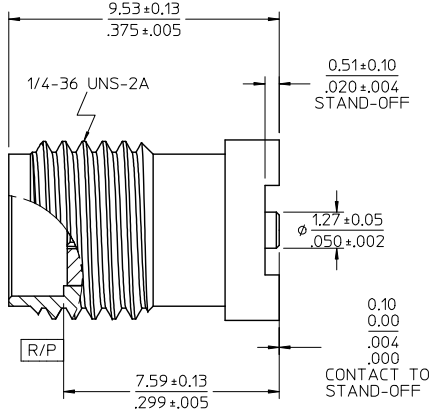
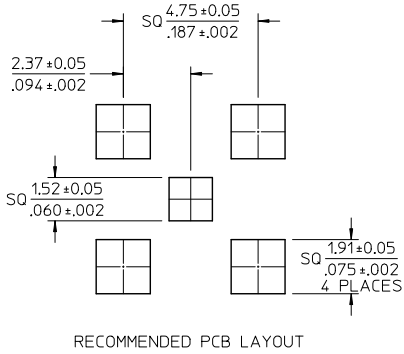
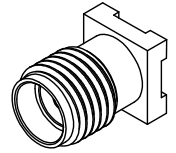
MATERIALS & FINISHES

BODY: BRASS
PLATED: SEE TABLE

CONTACT: BERYLLIUM COPPER
PLATED: GOLD

INSULATOR: TEFLON

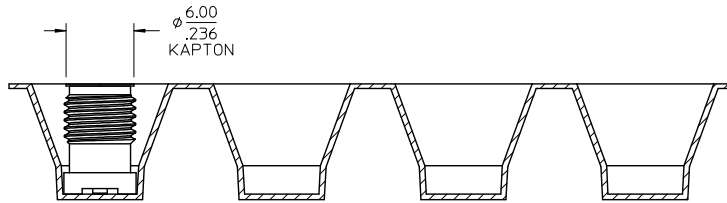
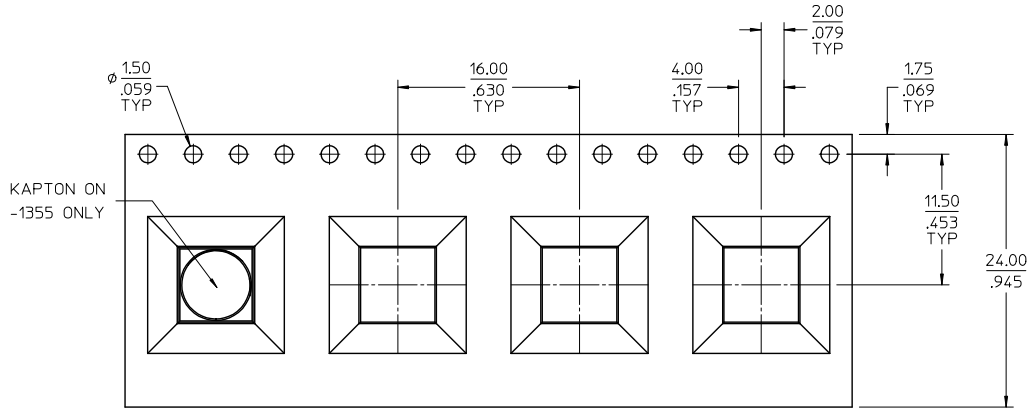
KAPTON: POLYIMIDE FILM
(ON -1355 ONLY)



73251-1355	T & R W/KAPTON (400 PCS / REEL) BODY GOLD
73251-1354	TAPE & REEL (400 PCS / REEL) BODY NICKEL
73251-1353	TRAY PACK (80 PCS / TRAY) / BODY NICKEL
73251-1352	ONE PIECE 73251-1350 PER BAG / BODY GOLD
73251-1351	TAPE & REEL (400 PCS / REEL) / BODY GOLD
73251-1350	TRAY PACK (80 PCS / TRAY) / BODY GOLD
PART NO	TAPE & REEL (400 PCS / REEL) / BODY GOLD

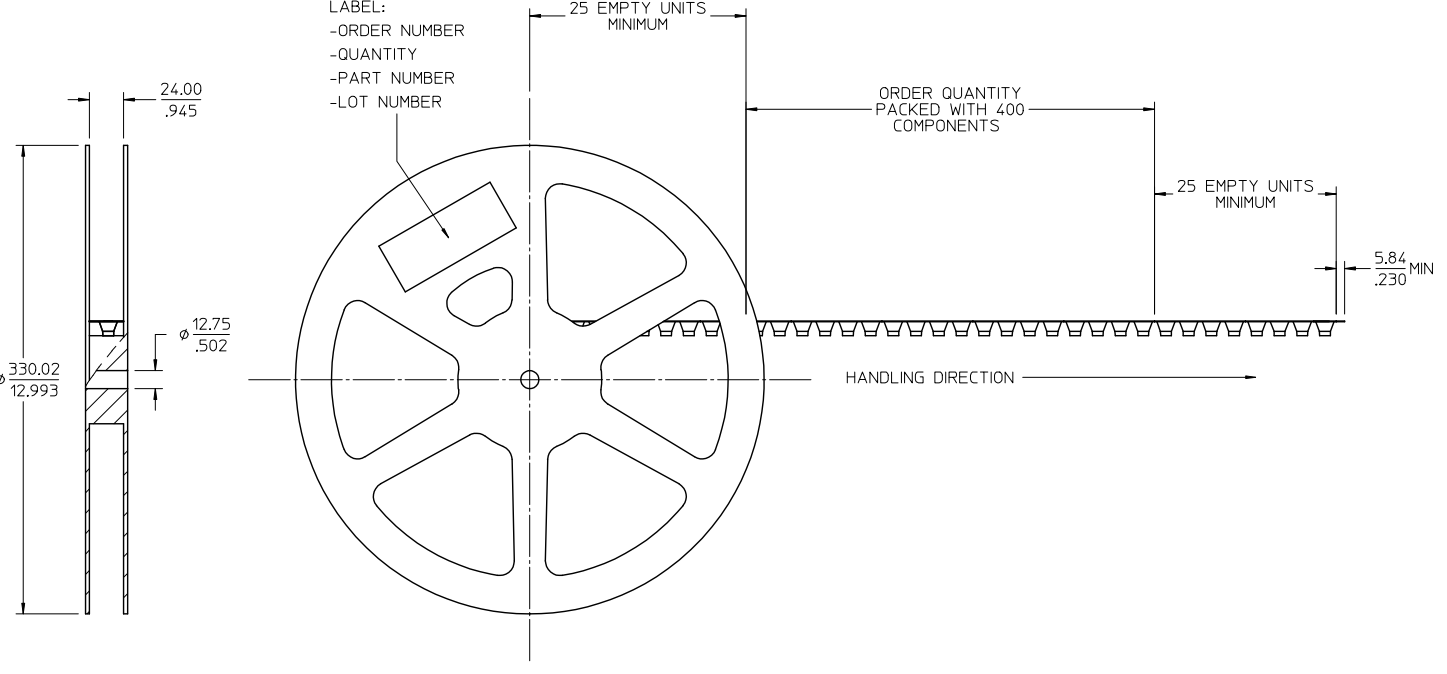
PS-89675-3460	ELEC/MECH PERFORMANCE
MIL-STD-348A, FIG. 310.2	INTERFACE
SPECIFICATION	DESCRIPTION

CHG: ADD PS-89675-3460 PER RF15-E255 EC NO: URF-2016-0029 DRAWN BY: DRW:RTEH CHKD: APPR:YCHENG 2015/07/16 2015/07/23	QUALITY SYMBOLS ∇=0 ∇=0 ∇=0	GENERAL TOLERANCES (UNLESS SPECIFIED) mm INCH 4 PLACES ± --- ± --- 3 PLACES ± --- ± --- 2 PLACES ± --- ± --- 1 PLACE ± --- ± --- 0 PLACE ± --- ± ---	DIMENSION STYLE MM/IN DRAWN BY: SSS DATE: 2000/05/16 CHECKED BY: TEF DATE: 2000/05/16 APPROVED BY: GMH DATE: 2000/05/16	SCALE: 10:1 DESIGN UNITS: METRIC THIRD ANGLE PROJECTION	TITLE: SMA, JACK VERTICAL PCB SMT SMA-J/PCB, EWR-2107 molex	MATERIAL NO. DOCUMENT NO. SD-73251-135 SHEET NO. 1 OF 3
		ANGULAR ± 2 ° DRAFT WHERE APPLICABLE MUST REMAIN WITHIN DIMENSIONS		SEE TABLE	THIS DRAWING CONTAINS INFORMATION THAT IS PROPRIETARY TO MOLEX INCORPORATED AND SHOULD NOT BE USED WITHOUT WRITTEN PERMISSION	



CHUSSE SHEET 1 EC NO: URF-2016-0029 DRAWN BY: CHEN CHKD: CHENG APPR: CHENG 2015/07/16 2015/07/23	QUALITY SYMBOLS ▽=0 ▽=1 ▽=2	GENERAL TOLERANCES (UNLESS SPECIFIED)		DIMENSION STYLE		SCALE	DESIGN UNITS	THIRD ANGLE PROJECTION	
		mm	INCH	MM/IN	DATE	4:1	METRIC	TITLE	
		4 PLACES	±	---	SSS	2000/05/16	SMA, JACK		
		3 PLACES	±	---	CHECKED BY	DATE	VERTICAL PCB SMT		
		2 PLACES	±	---	TEF	2000/05/16	SMA-J/PCB, EWR-2107		
		1 PLACE	±	---	APPROVED BY	DATE	molex		
		0 PLACE	±	---	GMH	2000/05/16			
		ANGULAR ± 2 °		MATERIAL NO.		DOCUMENT NO.		SHEET NO.	
		DRAFT WHERE APPLICABLE MUST REMAIN WITHIN DIMENSIONS		SEE TABLE		SD-73251-135		2 OF 3	
THIS DRAWING CONTAINS INFORMATION THAT IS PROPRIETARY TO MOLEX INCORPORATED AND SHOULD NOT BE USED WITHOUT WRITTEN PERMISSION									

13 12 11 10 9 8 7 6 5 4 3 2 1



CHG/SEE SHEET 1 EC NO: URF-2016-0029 DRAWN BY: CHEN YUEN CHECKED BY: JAPPR YUEN APPROVED BY: CHENG 2015/07/16 2015/07/23 DESCRIPTION:	QUALITY SYMBOLS	GENERAL TOLERANCES (UNLESS SPECIFIED)	DIMENSION STYLE	SCALE	DESIGN UNITS	THIRD ANGLE PROJECTION
	∇=0 ∇=0 ∇=0	4 PLACES ± --- ± --- 3 PLACES ± --- ± --- 2 PLACES ± --- ± --- 1 PLACE ± --- ± --- 0 PLACE ± ±	MM/IN	1:2	METRIC	SMA, JACK VERTICAL PCB SMT SMA-J/PCB, EWR-2107 molex
	ANGULAR ± 2° DRAFT WHERE APPLICABLE MUST REMAIN WITHIN DIMENSIONS	DRAWN BY: SSS CHECKED BY: TEF APPROVED BY: GMH DATE: 2000/05/16 DATE: 2000/05/16 DATE: 2000/05/16	SEE TABLE SIZE: C	MATERIAL NO.	DRAWING NO.	SHEET NO.
						SD-73251-135 3 OF 3

12 11 10 9 8 7 6 5 4 3 2 1