

## Excellent Integrated System Limited

Stocking Distributor

Click to view price, real time Inventory, Delivery & Lifecycle Information:

[Molex Connector Corporation](#)  
[0732540190](#)

For any questions, you can email us directly:

[sales@integrated-circuit.com](mailto:sales@integrated-circuit.com)

MATERIALS AND FINISHES

COUPLING SLEEVE: BRASS  
PLATED NICKEL

BODY: BRASS  
PLATED TRI-M3

RETENTION CAP: BRASS  
PLATED TRI-M3

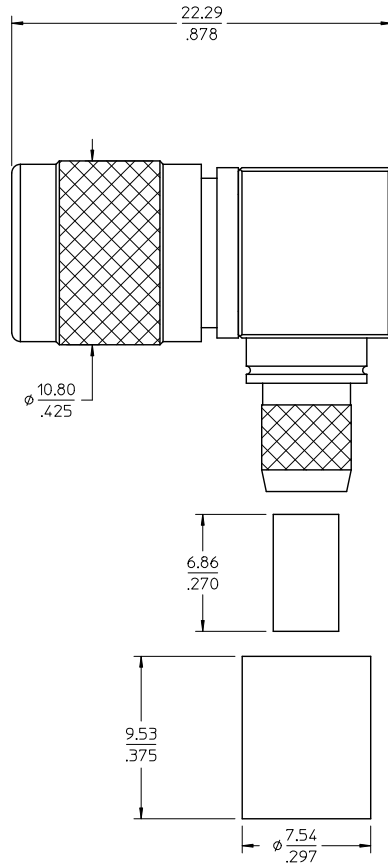
INSULATORS: TEFLON

RETENTION SPRING: STAINLESS STEEL  
PASSIVATED

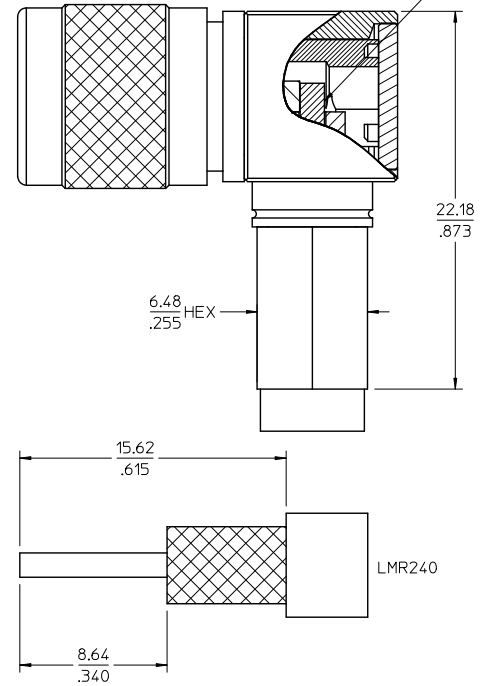
GROUND SPRING: BERYLLIUM COPPER  
PLATED GOLD OVER TRI-M3

CONTACT: BRASS  
PLATED GOLD OVER TRI-M3

CRIMP TUBE: BRASS  
PLATED NICKEL



CAP



PART # 73254-0190

CHG: MAJOR DESIGN CHANGE EC NO: URF2009-0770 DRW: RABERTSON 2/09/06/23 CHK: DSSS 2/09/06/23 APPR: JWEINER 2/09/06/23 REV DESCRIPTION	QUALITY SYMBOLS	GENERAL TOLERANCES (UNLESS SPECIFIED)	DIMENSION STYLE	SCALE	DESIGN UNITS	THIRD ANGLE PROJECTION
	▼=0 ▽=0	mm INCH 4 PLACES ± --- ± --- 3 PLACES ± --- ± --- 2 PLACES ± --- ± --- 1 PLACE ± --- ± --- ANGULAR ± 2 °	MM/IN	METRIC	QMA PLUG, R/A LMR240 50 OHMS QMA-PC	
	DRAFT WHERE APPLICABLE MUST REMAIN WITHIN DIMENSIONS	DRAWN BY DATE TEF 2004/06/04 CHECKED BY DATE SSS 2004/06/04 APPROVED BY DATE GMH 2004/06/04	MATERIAL NO. 732540190	DOCUMENT NO. SD-73254-019	MOLEX INCORPORATED	
	SIZE C	THIS DRAWING CONTAINS INFORMATION THAT IS PROPRIETARY TO MOLEX INCORPORATED AND SHOULD NOT BE USED WITHOUT WRITTEN PERMISSION	SHEET NO. 1 OF 1			