

## Excellent Integrated System Limited

Stocking Distributor

Click to view price, real time Inventory, Delivery & Lifecycle Information:

[Molex Connector Corporation](#)  
[0734155740](#)

For any questions, you can email us directly:

[sales@integrated-circuit.com](mailto:sales@integrated-circuit.com)

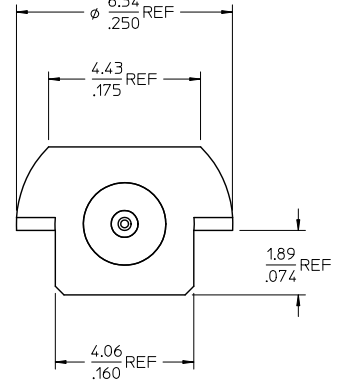
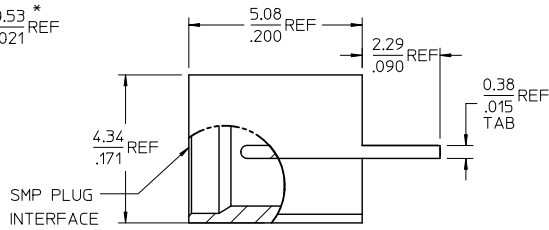
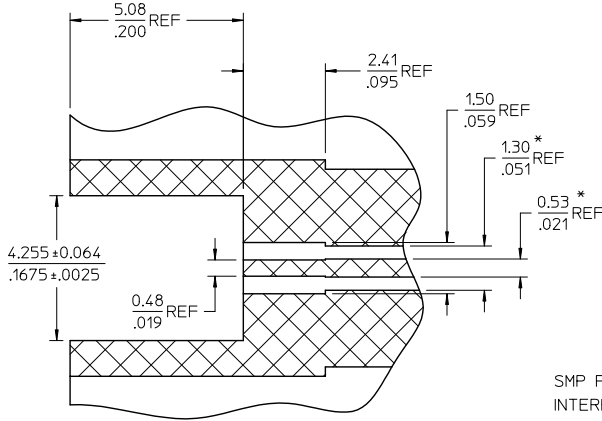
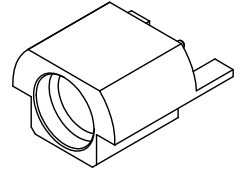
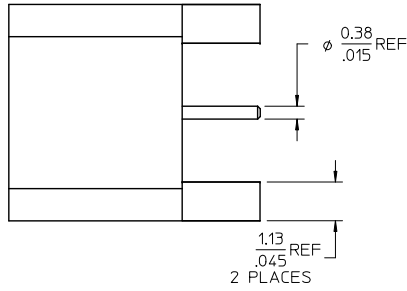
MATERIALS AND FINISHES

BODY BRASS  
PLATED GOLD

CENTER CONTACT BRASS  
PLATED GOLD

INSULATOR TEFLON

QUANTITY IN TAPE: 1250 COMPONENTS



RECOMMENDED PCB LAYOUT

\* DIMENSIONS APPLICABLE FOR ROGERS 4350 PCB MATERIAL ONLY

PS-89675-3320	PRODUCT SPECIFICATION
SPECIFICATION	DESCRIPTION

73415-5741	ONE PER BAG
73415-5740	TAPE & REEL
PART NO.	PACKAGING

CHG: ADD -5741  
EC NO: URF202-0435  
DRAWN: JWBNER 20/12/16  
CHKD: SSS 20/12/16  
APPR: JWBNER 20/12/16  
REV B2

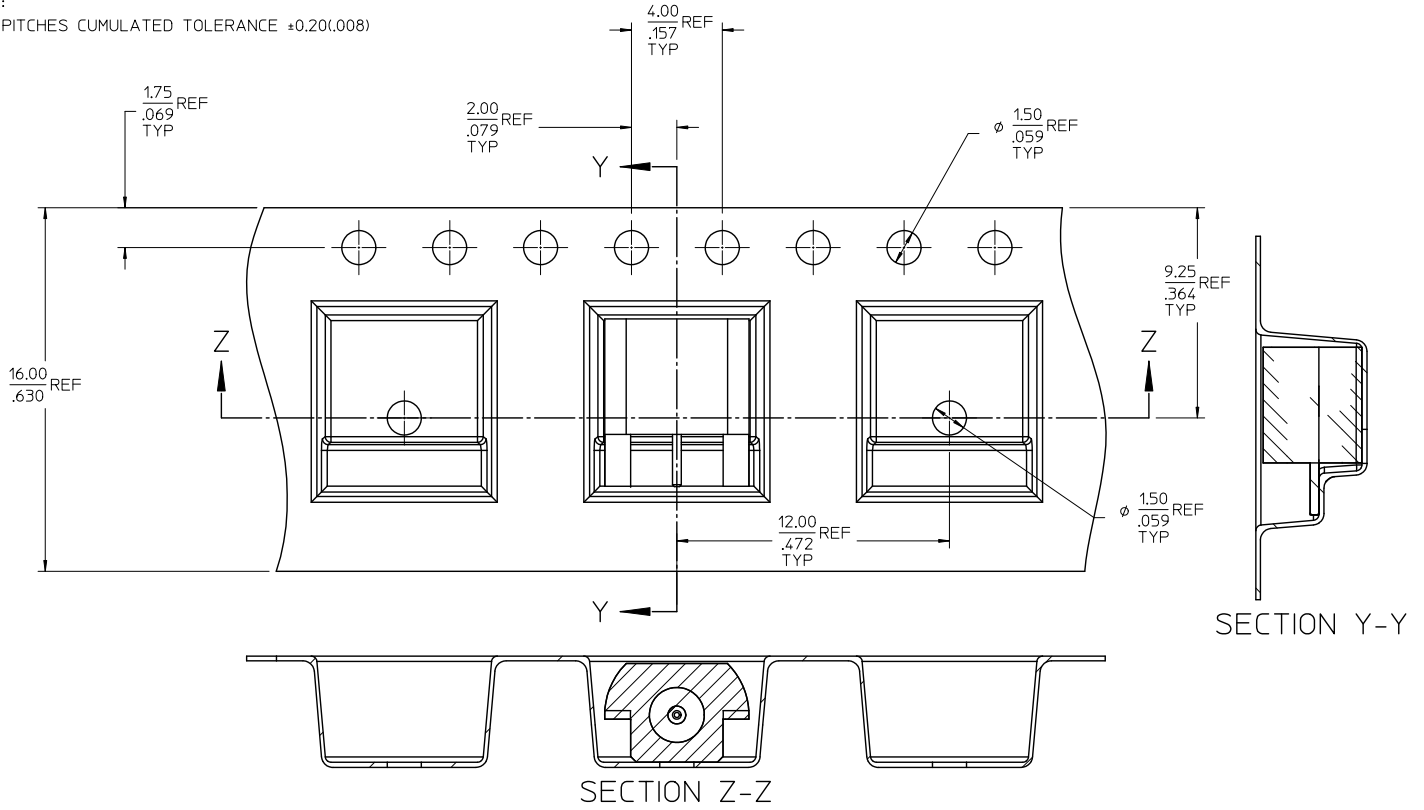
QUALITY SYMBOLS  
▽=0  
▽=0

GENERAL TOLERANCES (UNLESS SPECIFIED)	DIMENSION STYLE	
	mm	INCH
4 PLACES ±	---	---
3 PLACES ±	---	---
2 PLACES ±	---	---
1 PLACE ±	---	---
ANGULAR ± 2 °		

DRAWN BY		DATE	
TEF		2005/12/16	
CHECKED BY		DATE	
SSS		2005/12/16	
APPROVED BY		DATE	
JDW		2005/12/16	

SCALE	DESIGN UNITS	THIRD ANGLE PROJECTION	TITLE
	METRIC		SMP PLUG, EDGEMOUNT SMOOTH BORE, 50 OHMS EWR-2977 SMP-BP/PCB
MATERIAL NO.			DOCUMENT NO.
SEE TABLE			SD-73415-574
SHEET NO.			1 OF 2

NOTE:  
1. 10 PITCHES CUMULATED TOLERANCE  $\pm 0.20(0.008)$



CHG: SEE SHEET 1 EC NO: UNF2012-0435 DRAWN: JWIENER 2012/01/30 CHECKED: SSS 2012/01/30 APPR: JWIENER 2012/01/31 REV B2	QUALITY SYMBOLS ▽=0 ▽=0	GENERAL TOLERANCES (UNLESS SPECIFIED)		DIMENSION STYLE MM/IN		SCALE	DESIGN UNITS METRIC	THIRD ANGLE PROJECTION		
		4 PLACES ± --- ± ---	3 PLACES ± --- ± ---	2 PLACES ± --- ± ---	1 PLACE ± --- ± ---	ANGULAR ± 2 °	DRAWN BY TEF DATE 2005/12/16	CHECKED BY SSS DATE 2005/12/16	APPROVED BY JDW DATE 2005/12/16	TITLE SMP PLUG, EDGEMOUNT SMOOTH BORE, 50 OHMS EWR-2977 SMP-BP/PCB
		DRAFT WHERE APPLICABLE MUST REMAIN WITHIN DIMENSIONS		MATERIAL NO. SEE SHEET 1	DOCUMENT NO. SD-73415-574	SHEET NO. 2 OF 2	MOLEX INCORPORATED			
		THIS DRAWING CONTAINS INFORMATION THAT IS PROPRIETARY TO MOLEX INCORPORATED AND SHOULD NOT BE USED WITHOUT WRITTEN PERMISSION								