

Excellent Integrated System Limited

Stocking Distributor

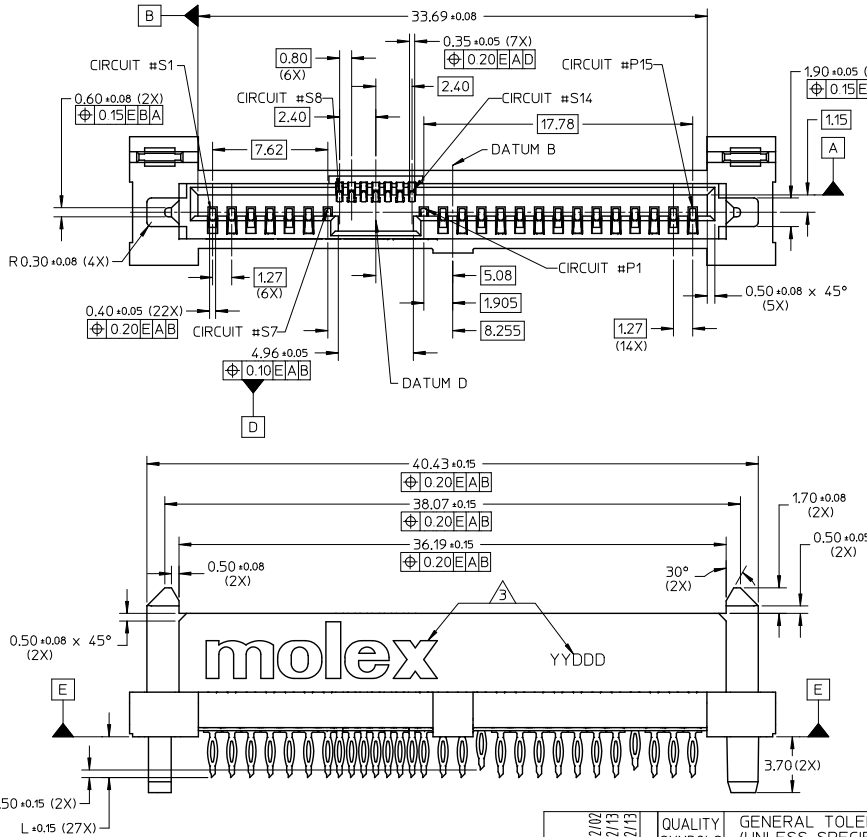
Click to view price, real time Inventory, Delivery & Lifecycle Information:

[Molex Connector Corporation](#)
[0878630015](#)

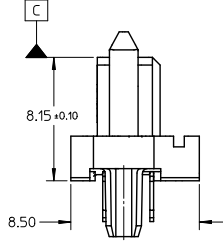
For any questions, you can email us directly:
sales@integrated-circuit.com

10	9	8	7	6	5	4	3	2	1
----	---	---	---	---	---	---	---	---	---

PART NUMBER	DIMENSION 'L'	DIMENSION 'M'	PLATING OPTION
87863-0015	2.70	1.44 MIN	TIN
87863-0025	3.50	2.36 TO 3.18	



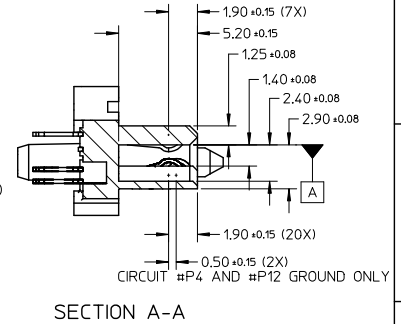
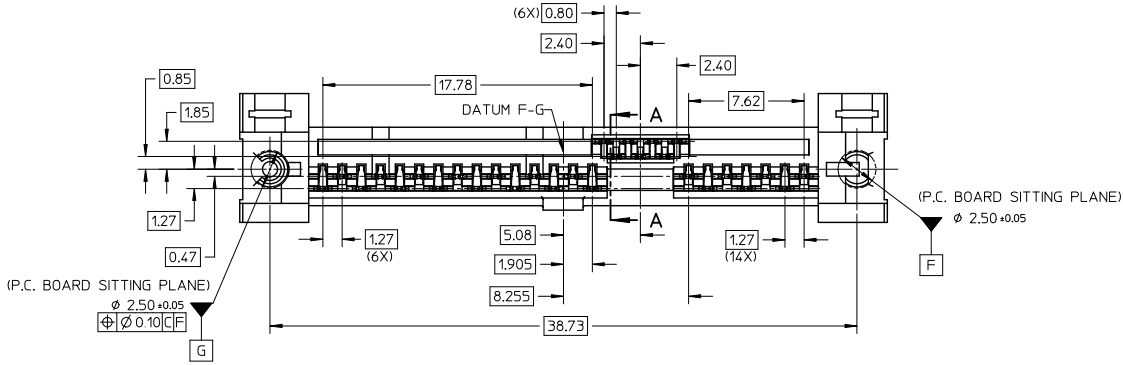
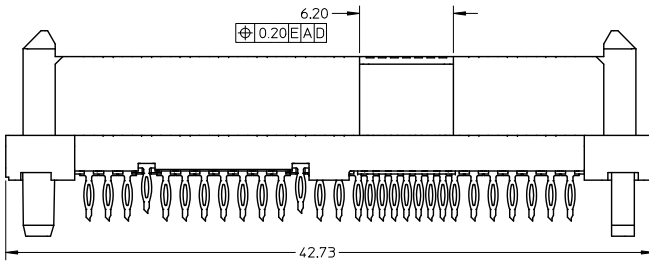
- NOTES:
- MATERIAL:
HOUSING: LIQUID CRYSTAL POLYMER, GLASS FILLED, UL 94V-0, COLOR BLACK.
TERMINAL: COPPER ALLOY.
 - PLATING:
CONTACTS: 0.76µm MIN. SELECTIVE GOLD OVER 1.27µm MIN. NICKEL UNDERPLATE.
SOLDERTAILS: 2.54µm MIN. TIN OVER 1.27µm MIN. NICKEL UNDERPLATE.
 - MOLEX LOGO AND DATE CODE LOCATED APPROXIMATELY AS SHOWN.
 - PRODUCT CONFORMS TO SFF-8482 SPECIFICATION.
 - KEEP OUT ZONE ON BOTH SIDE OF THE PCB FOR CONNECTOR.
 - PACKAGING: TRAY.
 - PRODUCT SPECIFICATION:
87863-0015 AND 87863-0025 REFER TO PS-87863-060
87863-2025 REFER TO PS-87863-061
 - MATES WITH: SFF-8482 PLUG
SATA PLUG SERIES 87679, 87703 AND 87799
 - THIS PRODUCT IS COMPLIANT TO RoHS DIRECTIVE WITH THE FOLLOWING BANNED SUBSTANCES - LEAD, MERCURY, CADMIUM, HEXAVALENT CHROMIUM, POLYBROMINATED BIPHENYLS AND POLYBROMINATED DIPHENYLS ETHERS.



UPDATE DIM M IEC NO. S2011-0488 DRAWN/AT/SEE CHYK-D-SKANG APPR/H/LLONG 2010/12/02 2010/12/13 2010/12/13	QUALITY SYMBOLS ▽=0 ▽=0	GENERAL TOLERANCES (UNLESS SPECIFIED)		DIMENSION STYLE		SCALE	DESIGN UNITS	THIRD ANGLE PROJECTION	
				MM ONLY		NTS	METRIC		
				mm	INCH	DRAWN BY	DATE		TITLE
				4 PLACES ± ---	± ---	DKOH	2004/10/16		SERIAL ATTACH SCSI PRESS-FIT RECEPTACLE STANDARD HEIGHT
		3 PLACES ± ---	± ---	CHECKED BY	DATE	MOLEX INCORPORATED	SHEET NO. 1 OF 4		
		2 PLACES ± 0.20	± ---	KCLING	2004/11/15				
		1 PLACE ± ---	± ---	APPROVED BY	DATE	MOLEX INCORPORATED			
		ANGULAR ± 3 °		SKTOH	2004/11/17	MOLEX INCORPORATED			
		DRAFT WHERE APPLICABLE MUST REMAIN WITHIN DIMENSIONS		MATERIAL NO.		DOCUMENT NO.			
				SEE TABLE		SD-87863-059			
				SIZE		THIS DRAWING CONTAINS INFORMATION THAT IS PROPRIETARY TO MOLEX INCORPORATED AND SHOULD NOT BE USED WITHOUT WRITTEN PERMISSION			
				A3					

9	8	7	6	5	4	3	2	1
---	---	---	---	---	---	---	---	---

10 9 8 7 6 5 4 3 2 1



UPDATE DIM M EC NO. S2011-0488 DRAWN/ISSUE CHKD:SKANG APPR:HLONG 2010/12/02 2010/12/13 2010/12/13	QUALITY SYMBOLS ▽=0 ▽=0	GENERAL TOLERANCES (UNLESS SPECIFIED)		DIMENSION STYLE MM ONLY		SCALE NTS	DESIGN UNITS METRIC	THIRD ANGLE PROJECTION
		4 PLACES ± --- ± --- 3 PLACES ± --- ± --- 2 PLACES ± 0.20 ± --- 1 PLACE ± --- ± --- ANGULAR ± 3°	mm INCH ± --- ± --- ± --- ± --- ± --- ± --- ± --- ± ---	DRAWN BY DKOH DATE 2004/10/16	CHECKED BY KCLING DATE 2004/11/15	APPROVED BY SKTOH DATE 2004/11/17	TITLE SERIAL ATTACH SCSI PRESS-FIT RECEPTACLE STANDARD HEIGHT	MOLEX INCORPORATED
DRAFT WHERE APPLICABLE MUST REMAIN WITHIN DIMENSIONS	MATERIAL NO. SEE TABLE	DOCUMENT NO. SD-87863-059	THIS DRAWING CONTAINS INFORMATION THAT IS PROPRIETARY TO MOLEX INCORPORATED AND SHOULD NOT BE USED WITHOUT WRITTEN PERMISSION					

9 8 7 6 5 4 3 2 1

10 9 8 7 6 5 4 3 2 1

F

E

D

C

B

A

F

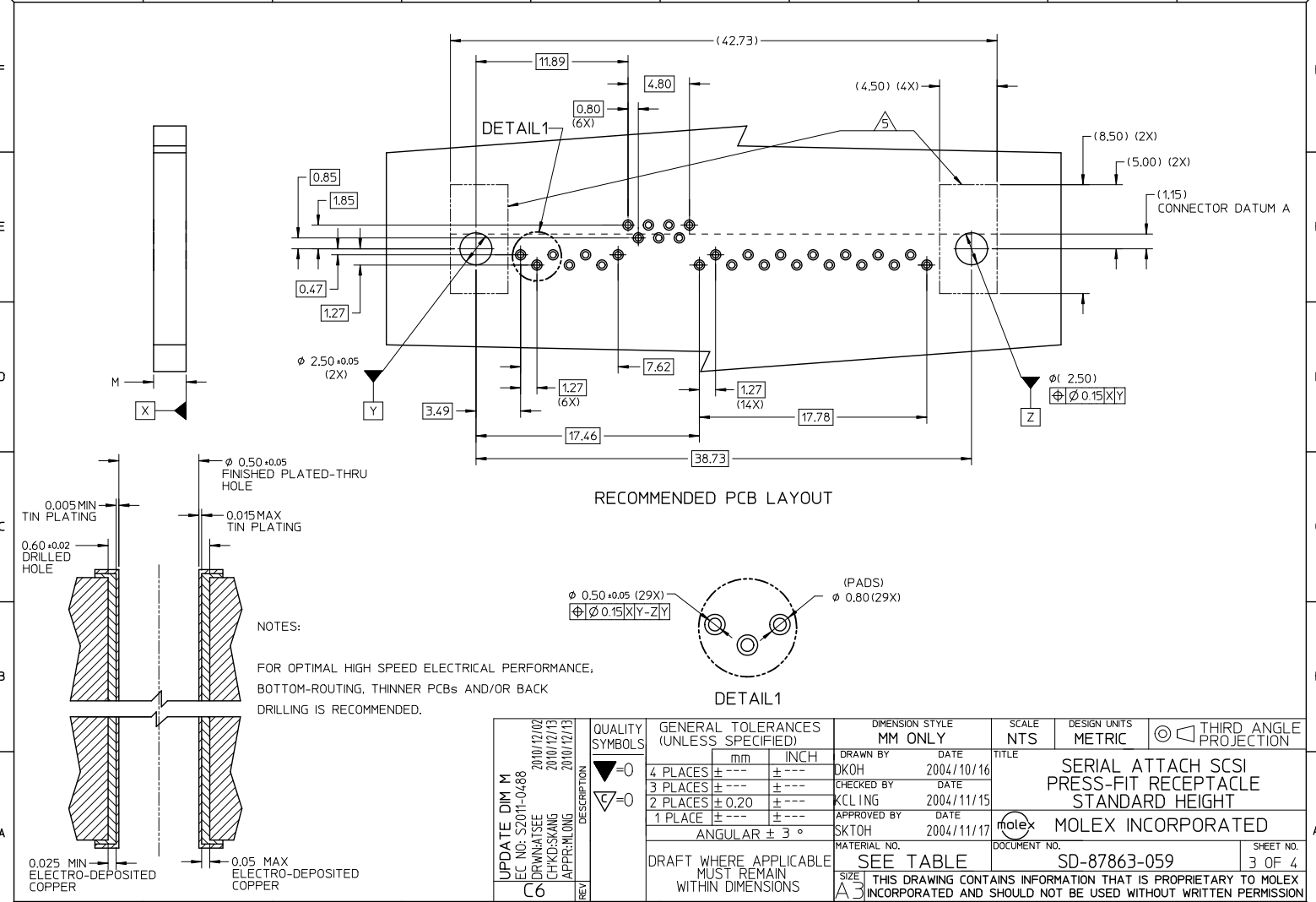
E

D

C

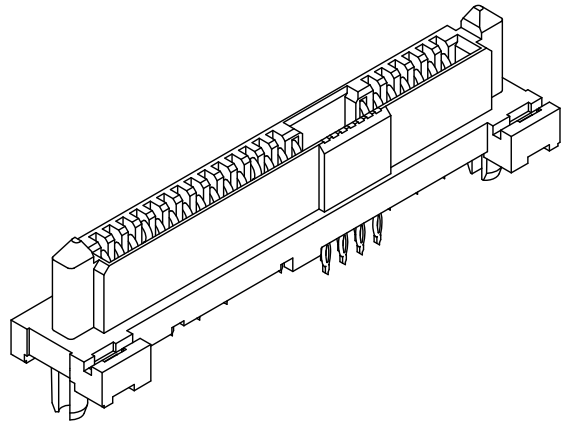
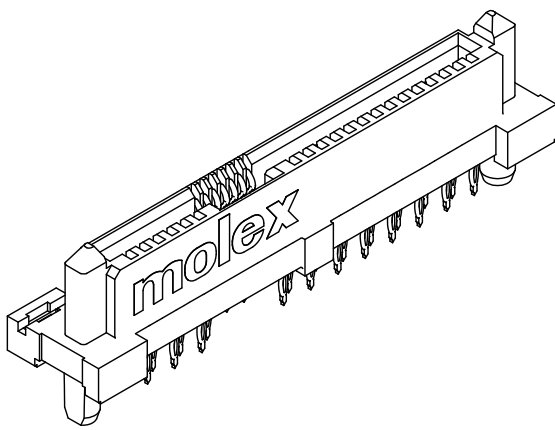
B

A



fb_frame_A3_P_AM_T
Rev. E 2006/04/15

10 9 8 7 6 5 4 3 2 1



UPDATE DIM M EC NO: S2011-0488 DRAWN/ISSUE: 2010/12/02 CHKD:SKANG 2010/12/13 APPR:HLONG 2010/12/13 REV C6	QUALITY SYMBOLS ▽=0 ▽=0	GENERAL TOLERANCES (UNLESS SPECIFIED)		DIMENSION STYLE MM ONLY		SCALE NTS	DESIGN UNITS METRIC	THIRD ANGLE PROJECTION
		4 PLACES ± --- ± --- 3 PLACES ± --- ± --- 2 PLACES ± 0.20 ± --- 1 PLACE ± --- ± --- ANGULAR ± 3 °	mm INCH ± --- ± --- ± --- ± --- ± --- ± --- ± --- ± ---	DRAWN BY DATE DKOH 2004/10/16 CHECKED BY DATE KCLING 2004/11/15 APPROVED BY DATE SKTOH 2004/11/17	TITLE SERIAL ATTACH SCSI PRESS-FIT RECEPTACLE STANDARD HEIGHT		MATERIAL NO. SEE TABLE	DOCUMENT NO. SD-87863-059
DRAFT WHERE APPLICABLE MUST REMAIN WITHIN DIMENSIONS		THIS DRAWING CONTAINS INFORMATION THAT IS PROPRIETARY TO MOLEX INCORPORATED AND SHOULD NOT BE USED WITHOUT WRITTEN PERMISSION						