

Excellent Integrated System Limited

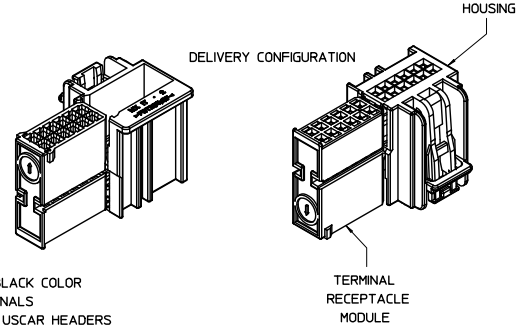
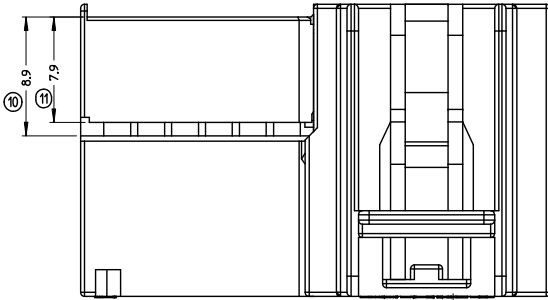
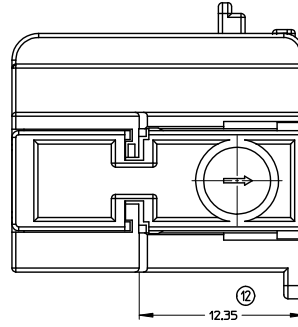
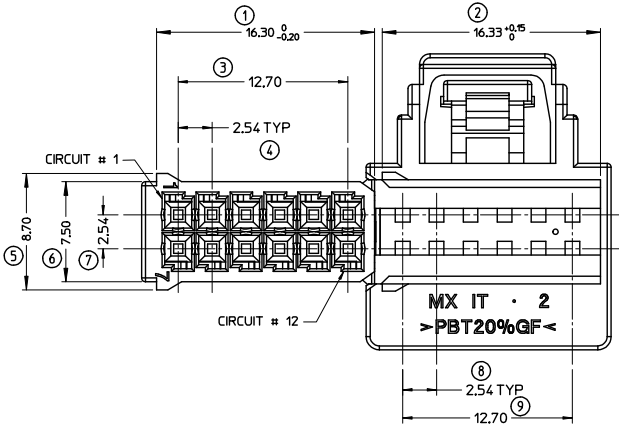
Stocking Distributor

Click to view price, real time Inventory, Delivery & Lifecycle Information:

[Molex Connector Corporation](#)
[0945529012](#)

For any questions, you can email us directly:

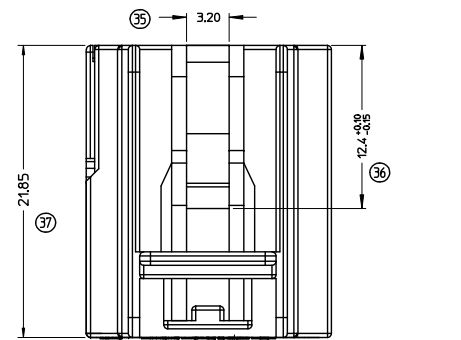
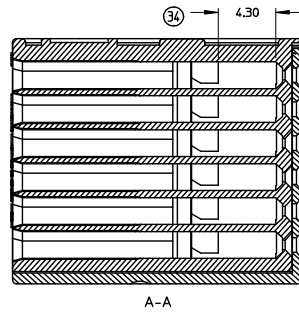
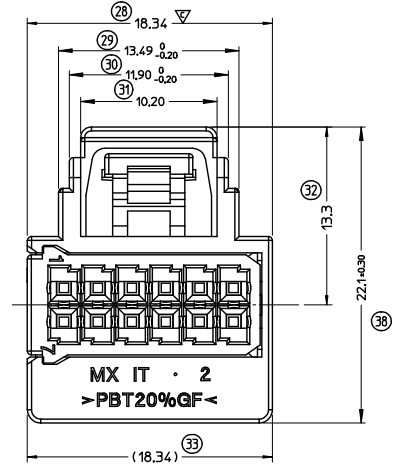
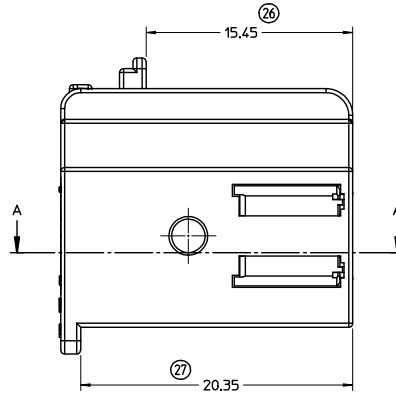
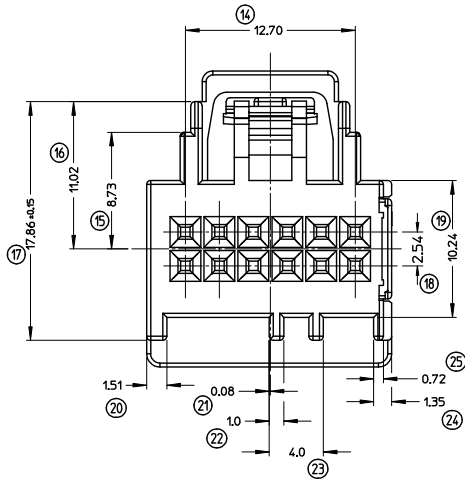
sales@integrated-circuit.com



- 1) MATERIAL: GLASS FILLED PBT, BLACK COLOR
- 2) USED WITH 98658 SERIES TERMINALS
- 3) MATES WITH 31341-2641 SERIES USCAR HEADERS
- 4) PACKAGING: IN CARTON BOXES (SEE DRAWING PK-94552-001 FOR DETAILS)
- 5) SPQ: 15840 pcs
- 6) IN THE EVENT OF PARTIAL OR TOTAL SEPARATION, PARTS DO NOT LOOSE THEIR FUNCTIONALITY

STD. DESCR: RECEPTACLE FOR MOX TERM, 12 CKT

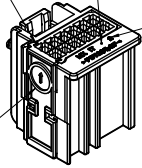
EC NO: Z2014-0081 DRW: SBARBIER 2014/01/09 CHKD: LSANTUSSO 2014/01/10 APPR: FBISELLO 2014/01/10 REV: B	QUALITY SYMBOLS	GENERAL TOLERANCES (UNLESS SPECIFIED)	SCALE 5:1	DESIGN UNITS METRIC	FIRST ANGLE PROJECTION	REVISE ON CAD ONLY																		
	▽-0 ∇-0	<table border="1"> <tr> <th></th> <th>mm</th> <th>INCH</th> </tr> <tr> <td>4 PLACES</td> <td>±---</td> <td>±---</td> </tr> <tr> <td>3 PLACES</td> <td>±---</td> <td>±---</td> </tr> <tr> <td>2 PLACES</td> <td>±0.13</td> <td>±---</td> </tr> <tr> <td>1 PLACE</td> <td>±0.25</td> <td>±---</td> </tr> <tr> <td colspan="3">ANGULAR ± 3°</td> </tr> </table>		mm	INCH	4 PLACES	±---	±---	3 PLACES	±---	±---	2 PLACES	±0.13	±---	1 PLACE	±0.25	±---	ANGULAR ± 3°			DIMENSION STYLE MM ONLY		TITLE	
			mm	INCH																				
	4 PLACES	±---	±---																					
3 PLACES	±---	±---																						
2 PLACES	±0.13	±---																						
1 PLACE	±0.25	±---																						
ANGULAR ± 3°																								
DRAFT WHERE APPLICABLE MUST REMAIN WITHIN DIMENSIONS		DRAWN BY SBARBIER DATE 2007/04/11 CHECKED BY LSANTUSSO DATE 2007/04/11 APPROVED BY FBISELLO DATE 2007/04/11	12 CKT POL. A USCAR 0.64MM RECEPTACLE FOR 98658 SERIES TERMINAL MOLEX INCORPORATED		MATERIAL NO. 94552-9012 DOCUMENT NO. SD-94552-002 SHEET NO. 1 OF 2																			
THIS DRAWING CONTAINS INFORMATION THAT IS PROPRIETARY TO MOLEX INCORPORATED AND SHOULD NOT BE USED WITHOUT WRITTEN PERMISSION																								



CIRCUIT # MARKING
0.1mm ABOVE SURFACE

THE PRESENCE OF A
DOT DENOTES PARTS
OFF MOLD # 2

MOLEX LOGO,
CAVITY NUMBER,
MATERIAL DESIGNATION
0.1mm ABOVE SURFACE



DATE INDICATOR

EC NO: Z2014-0081 DRW: SBARBIER 2014/01/10 CHK: LSANTOSSO 2014/01/10 APPR: FBISSELLO 2014/01/10 REV:	QUALITY SYMBOLS	GENERAL TOLERANCES (UNLESS SPECIFIED) mm INCH 4 PLACES ± --- ± --- 3 PLACES ± --- ± --- 2 PLACES ± 0.13 ± --- 1 PLACE ± 0.25 ± --- ANGULAR ± 3 ° DRAFT WHERE APPLICABLE MUST REMAIN WITHIN DIMENSIONS	SCALE 5:1	DESIGN UNITS METRIC	FIRST ANGLE PROJECTION REVISE ON CAD ONLY TITLE 12 CKT POL. A USCAR 0.64MM RECEPTACLE FOR 98658 SERIES TERMINAL MOLEX INCORPORATED MATERIAL NO. SD-94552-002 SEE SHT 1 THIS DRAWING CONTAINS INFORMATION THAT IS PROPRIETARY TO MOLEX INCORPORATED AND SHOULD NOT BE USED WITHOUT WRITTEN PERMISSION	
	0 1		DIMENSION STYLE MM ONLY	DRAWN BY SBARBIER		DATE 2007/04/11
			CHECKED BY LSANTOSSO	DATE 2007/04/11		
			APPROVED BY FBISSELLO	DATE 2007/04/11		
DOCUMENT NO. SD-94552-002 SHEET NO. 2 OF 2						