

Excellent Integrated System Limited

Stocking Distributor

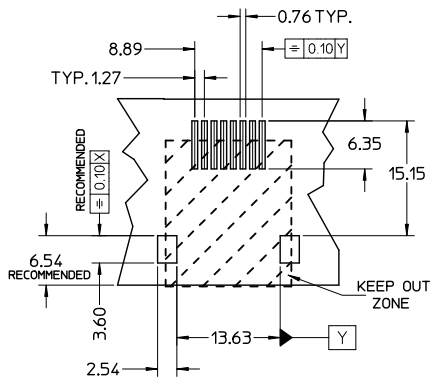
Click to view price, real time Inventory, Delivery & Lifecycle Information:

[Molex Connector Corporation](#)
[0956224883](#)

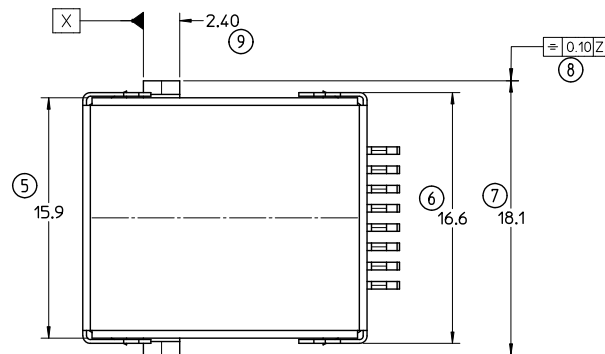
For any questions, you can email us directly:

sales@integrated-circuit.com

10 9 8 7 6 5 4 3 2 1



PART No.	
95622-4883	

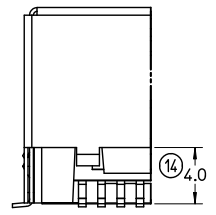
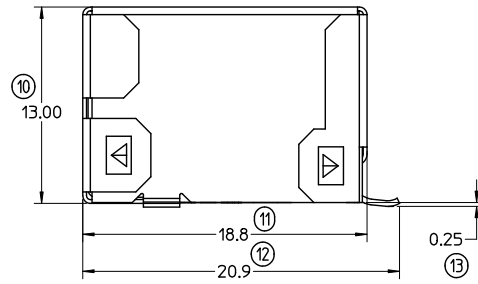
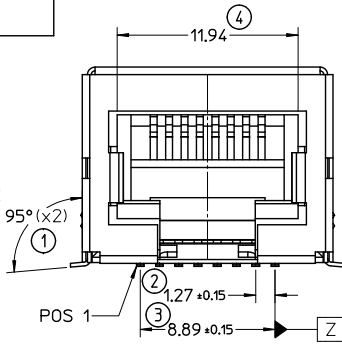


- NOTES:**
- 1- JACK FOR MATING WITH SHIELDED PLUG (MOLEX 95043 AND 85568 SERIES)
 - 2- PRODUCT SPECIFICATION: PS-95622-001
 - 3- PACKAGING SPECIFICATION: PK-95122-002 (BLISTER ON REEL)
 - 4- COPLANARITY OF SIGNAL LEADS: 0.10MAX
 - 5- RECOMMENDED PCB THICKNESS 1.57

LAST INSPECTION No: 15

TECHNICAL SPECIFICATIONS:

MATERIAL:
HOUSING: LCP GLASS FILLED UL 94V-0, COLOUR BLACK.
TERMINAL: COPPER ALLOY PLATED WITH:
BASE FINISH: NICKEL
CONTACT SURFACE FINISH:
GOLD
OR
GOLD FLASH OVER PALLADIUM NICKEL.
EXCEEDS PRODUCT REQUIREMENTS BASED ON PS-95622-001
SHIELD: COPPER ALLOY PLATED WITH TIN.



PARTIAL1
Scale 4:1

<p>REMOVED OPTION EC NO: IFG2012-0746 DRAWN BY: DBYRNES 2012/04/17 CHKD: EFCULAN APPR: EFCULAN REV DESCRIPTION</p>	QUALITY SYMBOLS	GENERAL TOLERANCES (UNLESS SPECIFIED)	DIMENSION STYLE	SCALE	DESIGN UNITS	THIRD ANGLE PROJECTION																		
	<p>▽=0 ▽=0</p>	<table border="1"> <tr> <th></th> <th>mm</th> <th>INCH</th> </tr> <tr> <td>4 PLACES</td> <td>± ---</td> <td>± ---</td> </tr> <tr> <td>3 PLACES</td> <td>± ---</td> <td>± ---</td> </tr> <tr> <td>2 PLACES</td> <td>± 0.25</td> <td>± ---</td> </tr> <tr> <td>1 PLACE</td> <td>± 0.35</td> <td>± ---</td> </tr> <tr> <td colspan="3">ANGULAR ± 2 °</td> </tr> </table>		mm	INCH	4 PLACES	± ---	± ---	3 PLACES	± ---	± ---	2 PLACES	± 0.25	± ---	1 PLACE	± 0.35	± ---	ANGULAR ± 2 °			MM ONLY	4:1	METRIC	
		mm	INCH																					
	4 PLACES	± ---	± ---																					
3 PLACES	± ---	± ---																						
2 PLACES	± 0.25	± ---																						
1 PLACE	± 0.35	± ---																						
ANGULAR ± 2 °																								
<p>DRAFT WHERE APPLICABLE MUST REMAIN WITHIN DIMENSIONS</p>	<table border="1"> <tr> <th>DRAWN BY</th> <th>DATE</th> <th>TITLE</th> </tr> <tr> <td>DBYRNES</td> <td>2006/07/27</td> <td>FULLY SHIELDED TRUE SMT RIGHT ANGLE MODULAR JACK 8 CIRCUIT</td> </tr> <tr> <th>CHECKED BY</th> <th>DATE</th> <th></th> </tr> <tr> <td>EOMAHONY</td> <td>2006/07/28</td> <td></td> </tr> <tr> <th>APPROVED BY</th> <th>DATE</th> <th></th> </tr> <tr> <td>EOMAHONY</td> <td>2006/07/28</td> <td></td> </tr> </table>	DRAWN BY	DATE	TITLE	DBYRNES	2006/07/27	FULLY SHIELDED TRUE SMT RIGHT ANGLE MODULAR JACK 8 CIRCUIT	CHECKED BY	DATE		EOMAHONY	2006/07/28		APPROVED BY	DATE		EOMAHONY	2006/07/28		<p>MATERIAL NO. SEE CHART</p>	<p>DOCUMENT NO. SD-95622-008</p>	<p>MOLEX INCORPORATED</p>	<p>SHEET NO. 1 OF 1</p>	
DRAWN BY	DATE	TITLE																						
DBYRNES	2006/07/27	FULLY SHIELDED TRUE SMT RIGHT ANGLE MODULAR JACK 8 CIRCUIT																						
CHECKED BY	DATE																							
EOMAHONY	2006/07/28																							
APPROVED BY	DATE																							
EOMAHONY	2006/07/28																							
			<p>THIS DRAWING CONTAINS INFORMATION THAT IS PROPRIETARY TO MOLEX INCORPORATED AND SHOULD NOT BE USED WITHOUT WRITTEN PERMISSION</p>																					

9 8 7 6 5 4 3 2 1